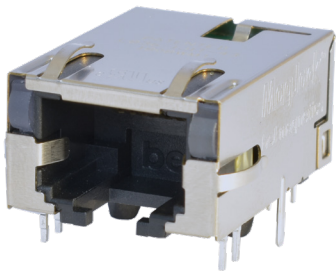


10GBASE-T ICMs

Marvell® Compatible ICMs

Bel Magnetic Solutions Marvell compatible 10GBASE-T ICMs are designed for customers using the latest Marvell 10GBASE-T Ethernet PHYs, including the 88E2xxx and 88E3xxx series silicon. These 10GBASE-T ICMs are ideal for customers looking to upgrade their product performance for maximum speed over twisted pair copper cables, up to ten times over standard Gigabit Ethernet technology. They are backward compatible to existing Ethernet networks and are increasingly popular for next generation 5G cellular applications, 5G small cell radio devices, high speed PCIe network interface cards, low density, non-PoE 10GBASE-T Ethernet switches, high end servers, storage area networks and cloud computing.



As the power consumed by the newer 10GBASE-T Ethernet PHYs comes down, many more users can cost effectively implement 10GBASE-T. More switches are now 10GBASE-T capable which provides available ports of 10GBASE-T in the local area network that designers can utilize. As devices and users demand more bandwidth from their local network, the data rates in these networks must increase. 10GBASE-T provides this increased bandwidth.

Features & Benefits

- Industry standard footprints and pinouts
- Drop-in replacement for 1GBASE-T products, no PCB changes needed
- Designs are approved by Marvell
- 5-speed capable
- Designs are backward compatible down to 10/100BASE-T in existing networks

Applications

- 5G small cell radio devices
- High speed PCIe network interface cards
- Low density, non-PoE 10GBASE-T Ethernet switches
- High end servers
- Storage area networks
- Cloud computing

Specifications

- Meets all IEEE 802.3an, 10GBASE-T electrical requirements including RL, IL, hi-pot and common mode parameters
- 100% hi-pot tested in production
- Available with many different LED color combinations and options
- 50 micro-inches of gold-plated contacts as required by the TIA 1096/FCC 47, Part 68

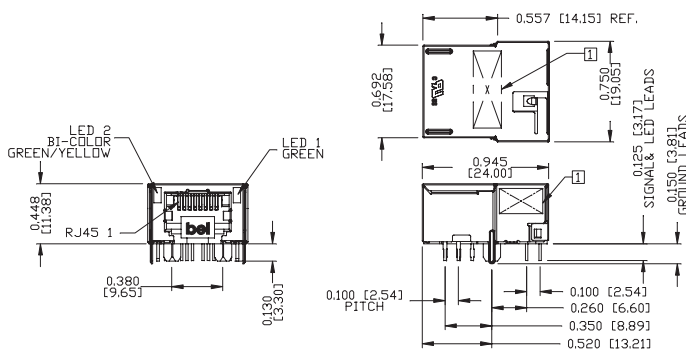
- Lead-free wave-solder compatible
- EMI-shield spring tabs on the shield for enhanced EMI and ESD performance
- UL recognized
- RoHS 6/6 compliant



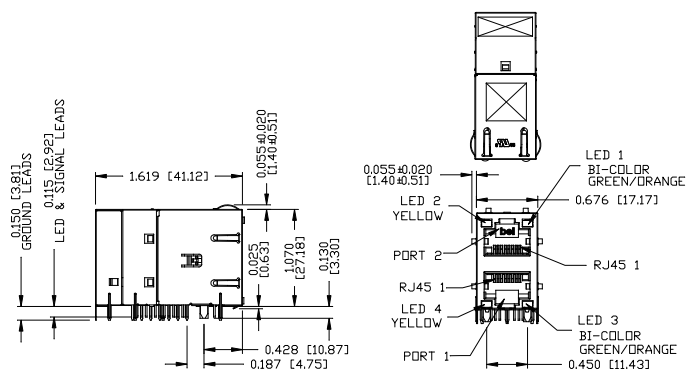
Part Numbers

Bel Part Number	Speed	No. of Ports	Height Profile	Operating Temperature	LED Type
G10-1GHN-056	10GBASE-T	1x1	Low	0°C to 70°C	GY/G
G23-21YR-010	10GBASE-T	2x1	Standard	0°C to 70°C	Y/G0
2250337-1	10GBASE-T	1x1	Low	0°C to 70°C	GY/G

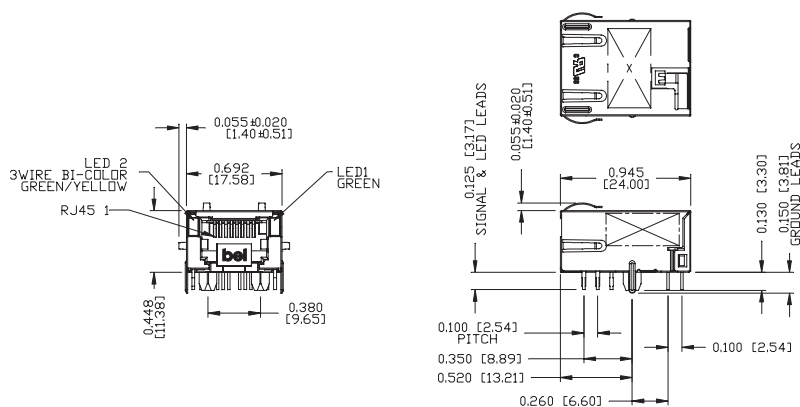
G10-1GHN-056



G23-21YR-010



2250337-1



Bel Magnetic Solutions
12700 Stowe Drive, Suite 200
Poway, CA 92064 USA

+1 858.676.9650
techhelp@belf.com
belfuse.com/magnetic-solutions