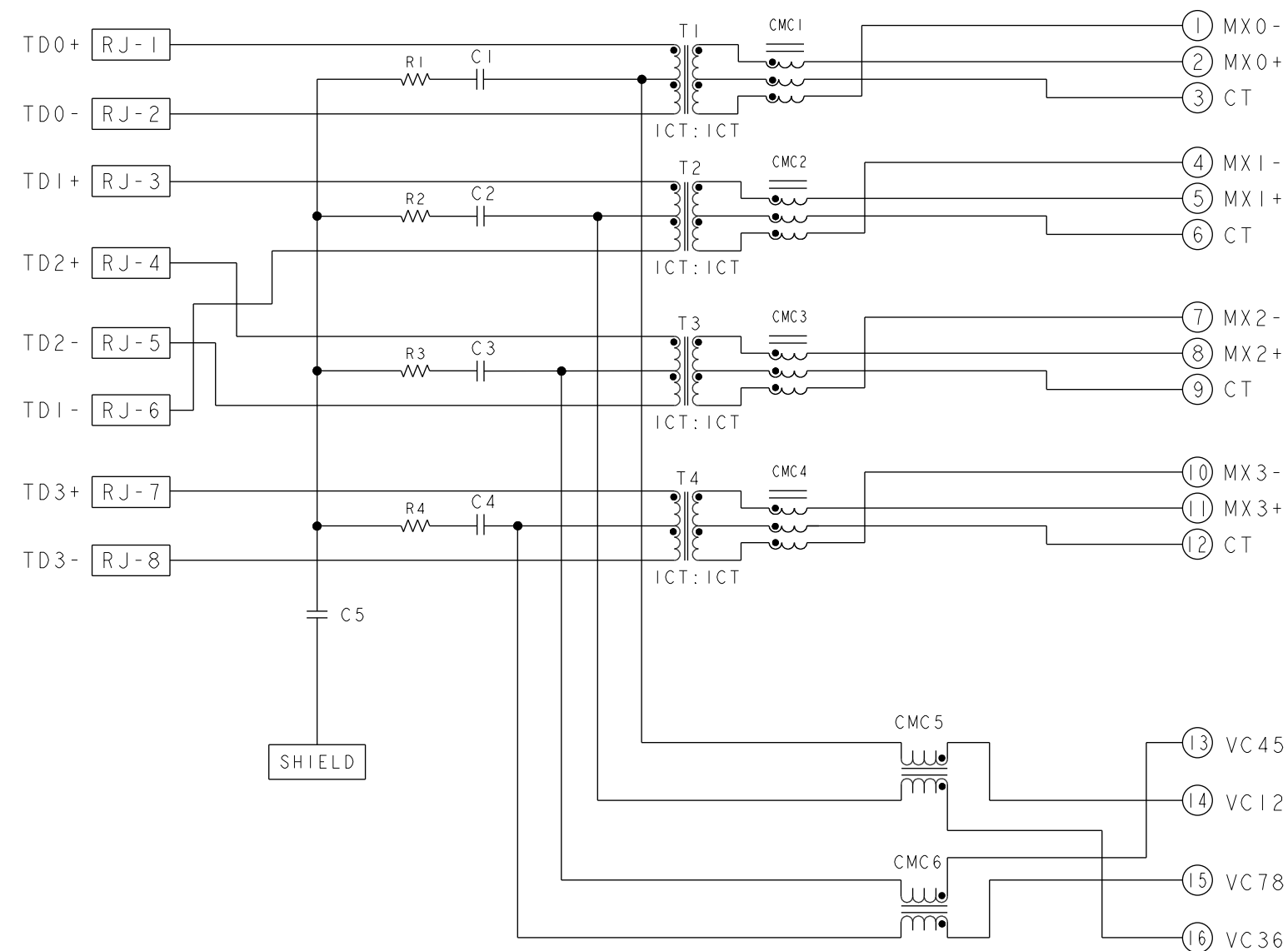


S9UFG04ET 5G 4PPOE CIRCUIT  $\Delta$  $\Delta$   
TOP AND BOTTOM PORTS

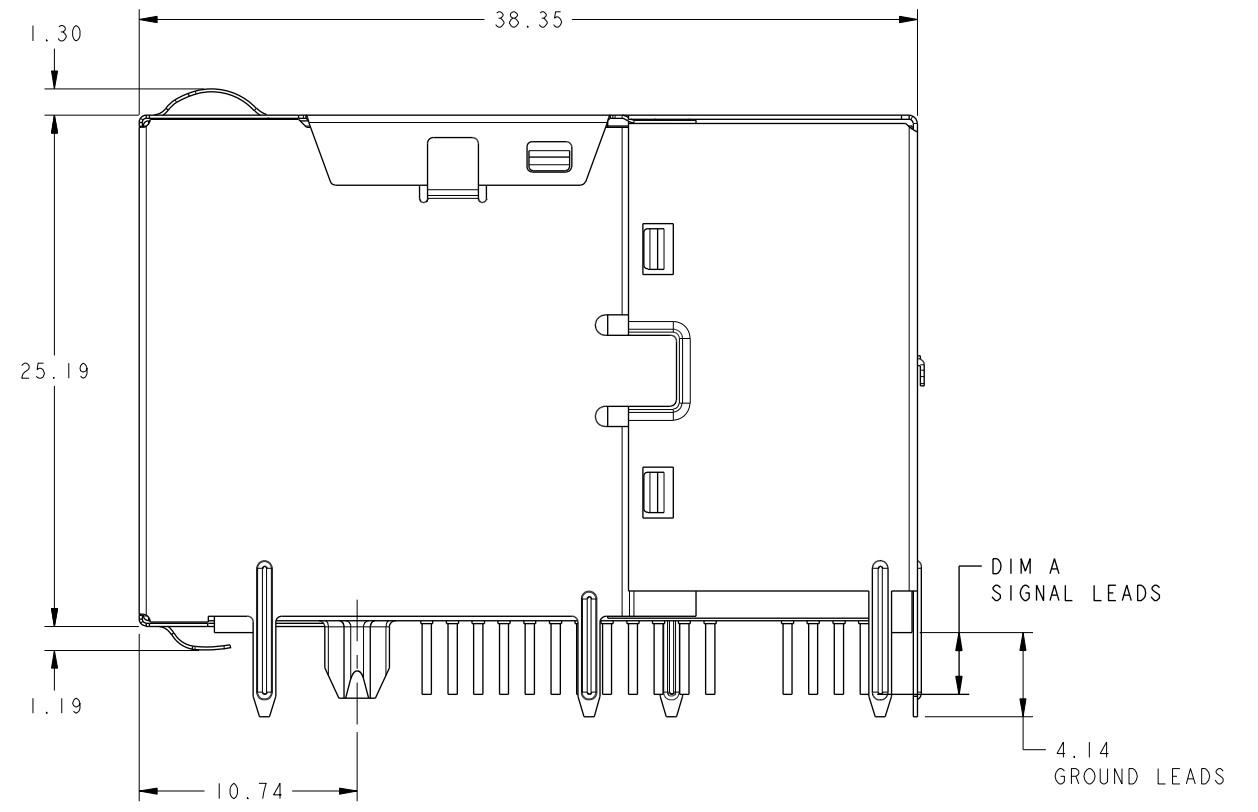
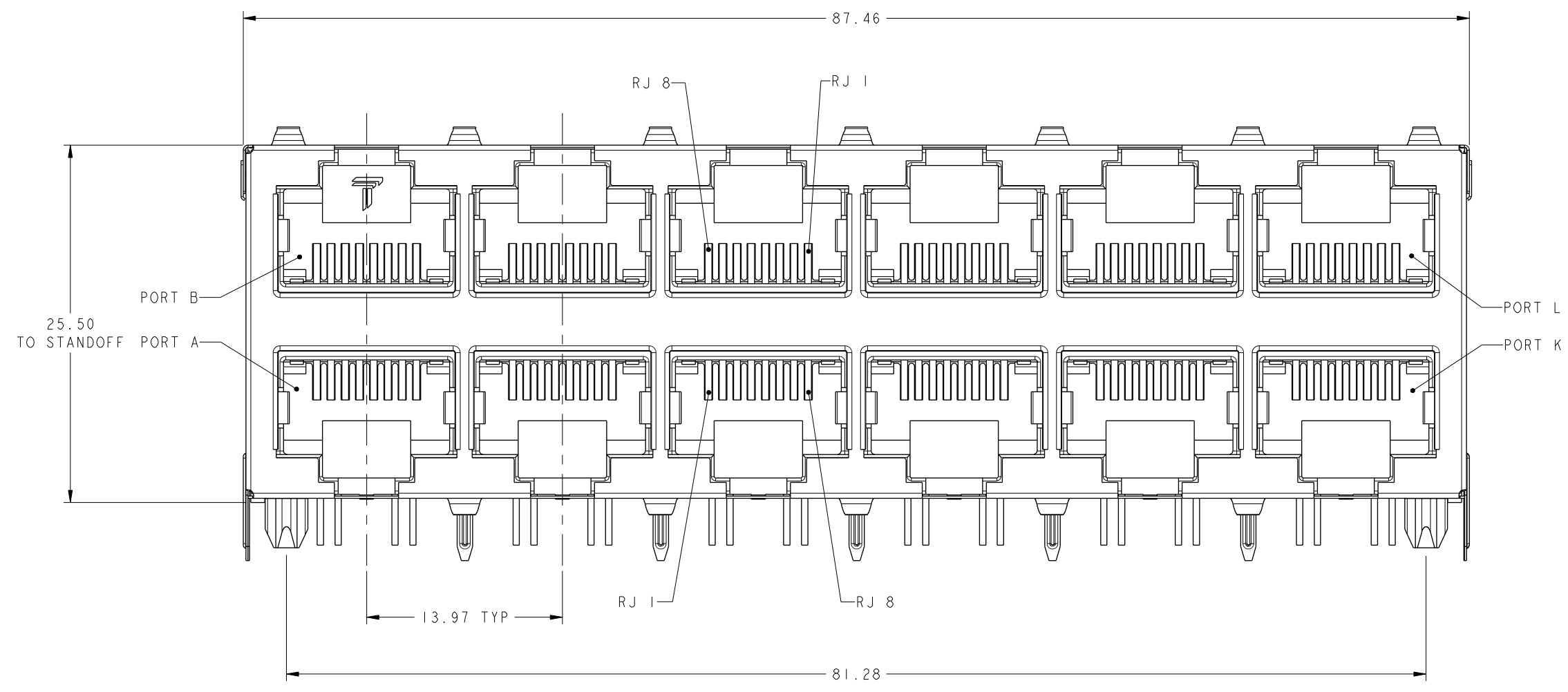
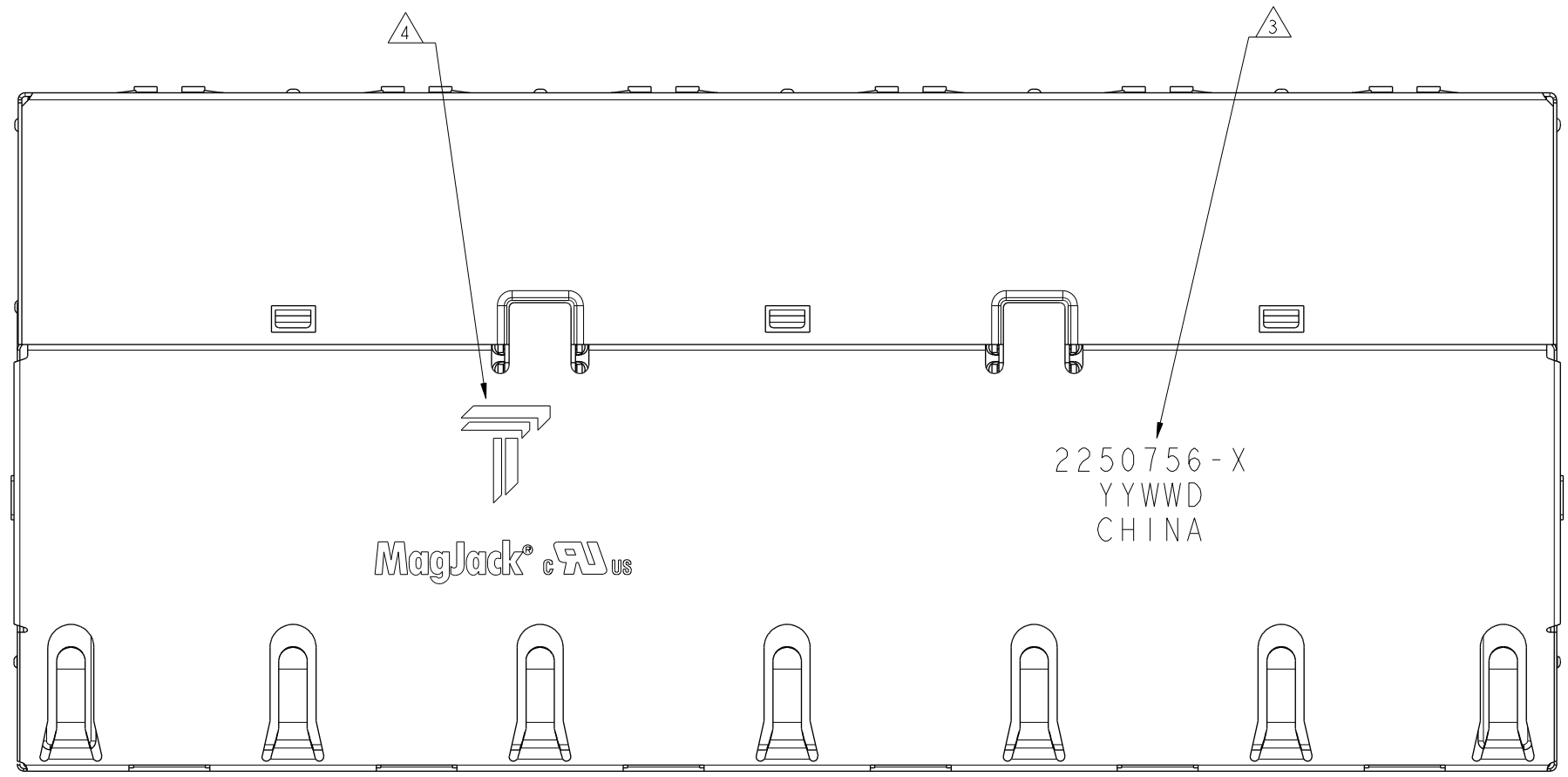


C1-C4 = 22nF, 100V, CAPACITORS  
C5 = 1000pF, 2kV, CAPACITOR  
R1-R4 = 75 Ohms, 1/16W, RESISTORS

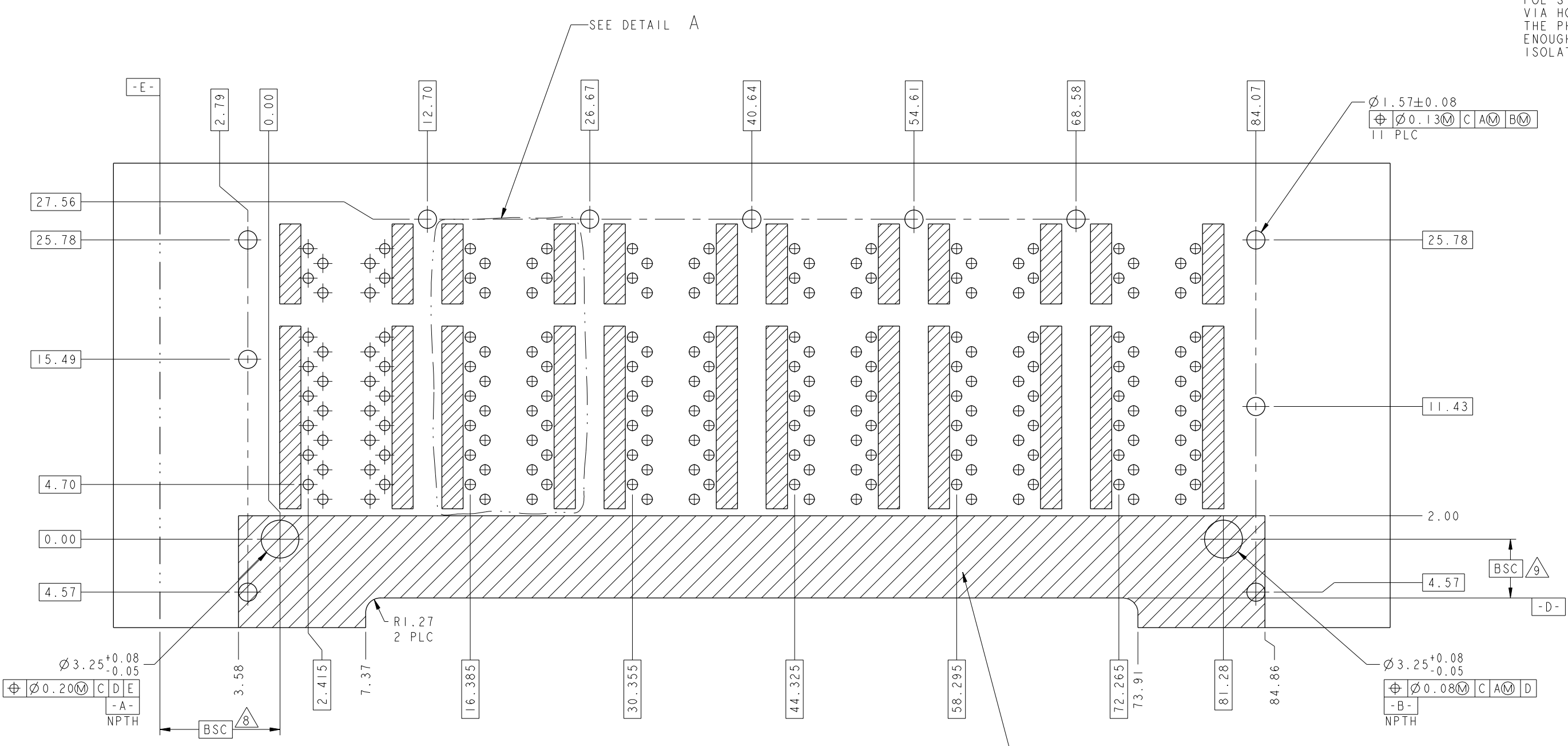
- MATERIALS:  
PLASTIC HOUSING: BLACK, THERMOPLASTIC FLAMMABILITY RATING UL 94V-0  
SHIELD: BRASS OR STAINLESS STEEL, PREPLATED WITH 0.76um MIN SEMI-BRIGHT NICKEL, POST DIPPED WITH 2.54um MIN SAC SOLDER OR PURE TIN SOLDER DIP ON SOLDER TAILS.  
CONTACTS: PHOSPHOR BRONZE, 1.27um MIN OVERALL NICKEL UNDERPLATE WITH SELECT 1.27um MIN GOLD AT MATING INTERFACE AND 2.54um MIN MATTE TIN ON SOLDER TAILS.
- MAGNETICS  
APPLICATION: 5G BASE-T, 4PPOE  
IMPEDANCE: 100 OHMS  
TURNS RATIO (CHIP:CABLE): 1:1 ALL FOUR PAIRS  
OPEN CIRCUIT INDUCTANCE (OCL):  
ALL CHANNELS 180uH MIN @ 100KHz, 0.1 VRMS WITH 8mA DC BIAS,  
120uH MIN @ 100KHz, 0.1 VRMS WITH 23mA DC BIAS  
ALL FOUR PAIRS BI-DIRECTIONAL  
POE CURRENT: 1A DC MAX  
PERFORMANCE @ 25°C (WHERE f IS FREQUENCY IN MHz)  
(a) INSERTION LOSS (IL):  
1 MHz TO 300 MHz -0.5-1.3\*(f-1)/400 dB MIN  
(b) RETURN LOSS (RL):  
1 MHz TO 50 MHz -18 dB MAX  
50 MHz TO 200 MHz -18 + 8LOG10(f/50) dB MAX  
200 MHz TO 300 MHz -13 + 30LOG10(f/200) dB MAX  
(c) CROSSTALK ATTENUATION:  
1 MHz TO 300 MHz -20 dB MAX  
(d) COMMON MODE REJECTION:  
1 MHz TO 300 MHz -16 dB MAX  
ISOLATION VOLTAGE: 2250VDC(MAX) FOR 60 SECONDS WITH A RISE TIME OF 500V/SEC AND WITH ALL PORTS CONNECTED.
- PART NUMBER, DATE CODE AND COUNTRY OF ORIGIN ARE LOCATED IN APPROXIMATE AREA SHOWN.  
DATE CODE: YYWW WHERE "YY" IS YEAR, "WW" IS WORK WEEK, "D" IS DAY OF WEEK, WITH SUNDAY = 1
- TRP CONNECTOR LOGO AND AGENCY APPROVAL LOGO ARE LOCATED IN APPROXIMATE AREA SHOWN.
- OPERATING TEMP: FROM -40°C TO 85°C.
- RJ45 CAVITY CONFORMS TO FCC RULES AND REGULATION PART 68 SUBPART F.
- INDICATED MAGNETIC CONNECTIONS ARE SYMMETRICAL AND SUPPORT AUTO-MDI/MDIX.
- DATUM AND BASIC DIMENSION ESTABLISHED BY CUSTOMER.
- BASIC DIMENSION ESTABLISHED BY CUSTOMER, BUT MAY NOT BE GREATER THAN 5.08mm.
- THE PARTS ARE RECOMMENDED FOR WAVE SOLDERING PROCESS, PEAK TEMPERATURE 260°C MAX, 10 SECONDS MAX.

3.04	W/O	2250756-1
DIM A	SIDE TABS	PART NUMBER

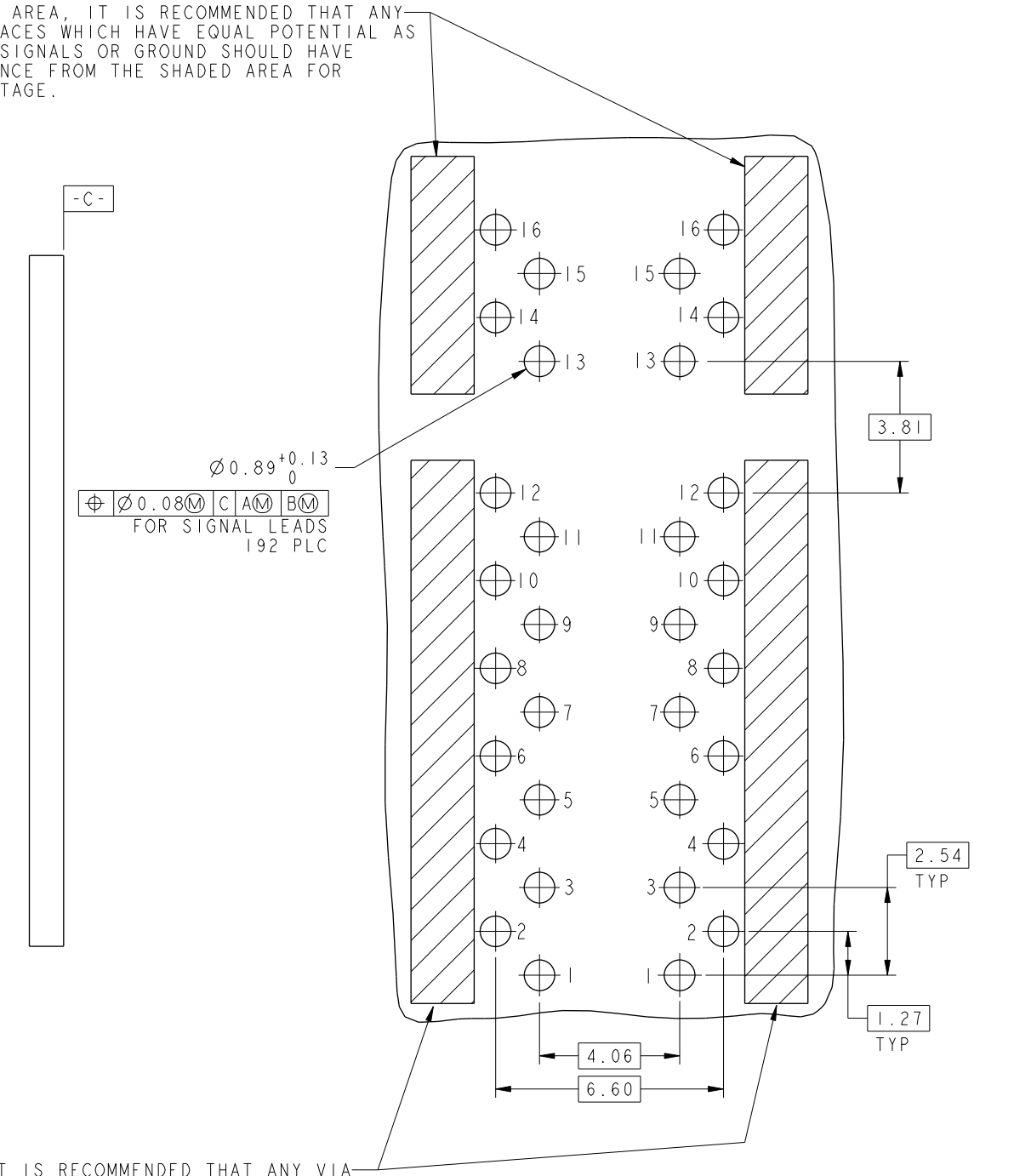
THIS DRAWING IS A CONTROLLED DOCUMENT AND COMPLIANT TO ASME Y14.5M		DWN: RICK LI 12APR2021 CHK: TERRY LIN 12APR2021 APVD: TONY YUAN 12APR2021	DONGGUAN CHINA a bel group
DIMENSIONS: mm 	TOLERANCES UNLESS OTHERWISE SPECIFIED: 0 PLC ±0.25 1 PLC ±0.25 2 PLC ±0.25 3 PLC ± 4 PLC ± ANGLES ± APPLICATION SPEC	MODEL NAME: MAGJACK STACK 4PPOE DESC: 2X6 S9UFG04ET 5G 4PPOE 100W CIRCUIT SIZE: A1 CAGE CODE: 2250756 DRAWING NO: 108-104017	
PRODUCT SPEC: 108-104017		CUSTOMER DRAWING SCALE: NTS SHEET: 1 OF 5 REV: 1	



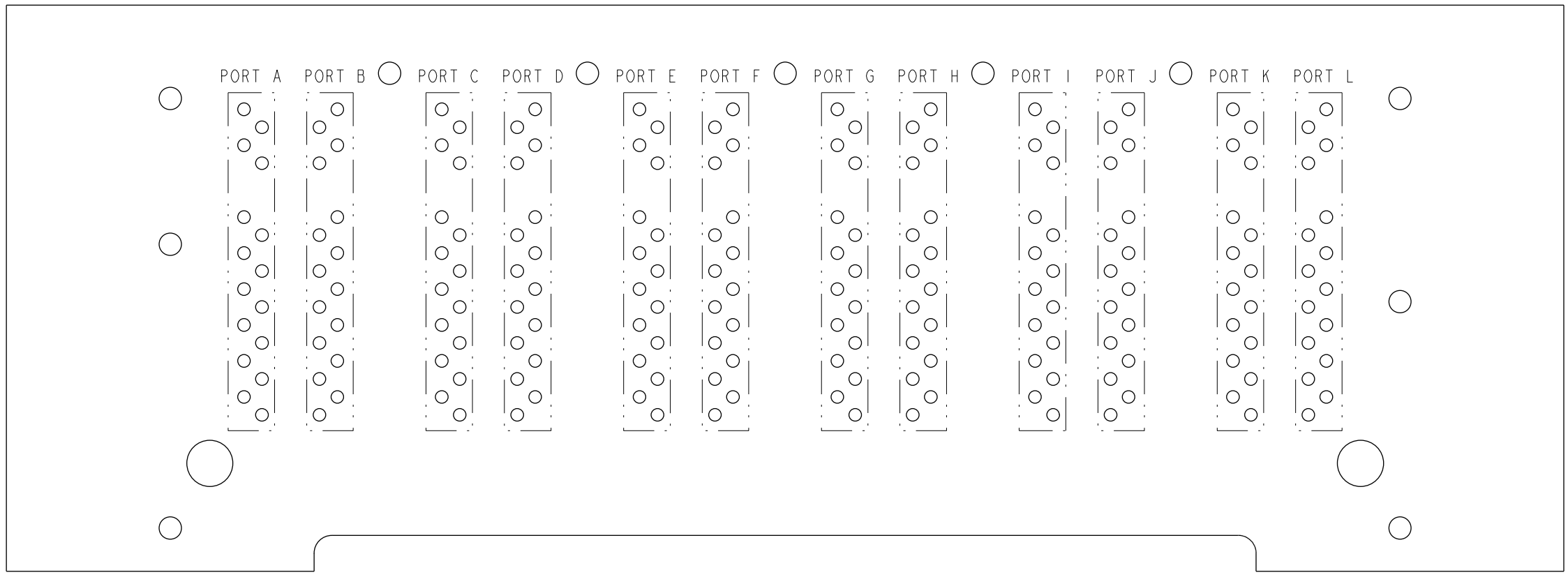
THIS DRAWING IS A CONTROLLED DOCUMENT. AND COMPLIANT TO ASME Y14.5M		DNW: RICK LI 12APR2021	<p><b>trp</b> CONNECTOR a bel group DONGGUAN CHINA</p>	DESC: 2X6 S9UFG04ET 5G 4PPOE 100W CIRCUIT RESTRICTED TO:
DIMENSIONS: mm		CHK: TERRY LIN 12APR2021		
TOLERANCES UNLESS OTHERWISE SPECIFIED:		APPV: TONY YUAN 12APR2021		
0 PLC ±0.25 1 PLC ±0.25 2 PLC ±0.25 3 PLC ± 4 PLC ± ANGLES ± APPLICATION SPEC -	MODEL NAME: MAGJACK STACK 4PPOE	SIZE: A1 CAGE CODE: C=2250756 DRAWING NO:	SCALE: NTS SHEET: 2 OF 5 REV: 1	
PRODUCT SPEC: 108-104017	APPLICATION SPEC:	CUSTOMER DRAWING	SCALE: NTS SHEET: 2 OF 5 REV: 1	



RECOMMENDED PCB LAYOUT COMPONENT SIDE VIEW

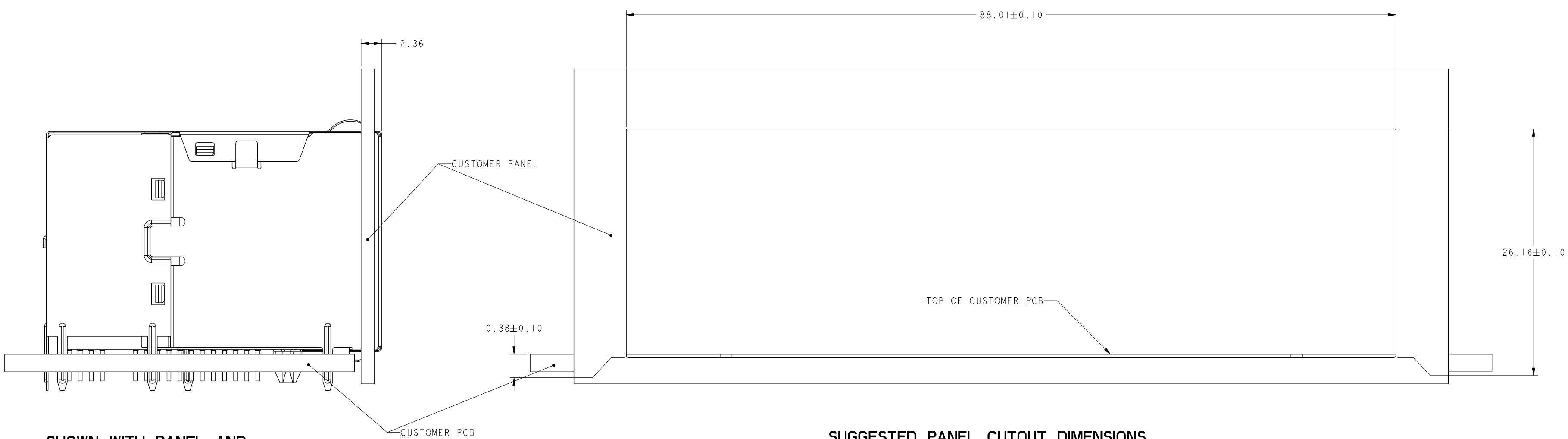


DETAIL A SCALE 8:1



PORT ASSIGNMENT COMPONENT SIDE VIEW

THIS DRAWING IS A CONTROLLED DOCUMENT AND COMPLIANT TO ASME Y14.5M		DNW RICK LI 12APR2021	 DONGGUAN CHINA
DIMENSIONS: mm		CHK TERRY LIN 12APR2021	
TOLERANCES UNLESS OTHERWISE SPECIFIED:		APPV TONY YUAN 12APR2021	
0 PLC ±0.25 1 PLC ±0.25 2 PLC ±0.25 3 PLC ± 4 PLC ± ANGLES ± APPLICATION SPEC		MODEL NAME	DESC 2X6 S9UFG04ET 5G 4PPOE 100W CIRCUIT
PRODUCT SPEC 108-104017		MAGJACK STACK 4PPOE	RESTRICTED TO
		SIZE A1	CAGE CODE DRAWING NO. C=2250756
		CUSTOMER DRAWING	SCALE NTS SHEET 3 OF 5 REV 1




SHOWN WITH PANEL AND CUSTOMER PCB ASSEMBLY


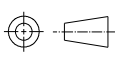
SUGGESTED PANEL CUTOUT DIMENSIONS

D  
C  
B  
A

D  
C  
B  
A

THIS DRAWING IS A CONTROLLED DOCUMENT. AND COMPLIANT TO ASME Y14.5M		DNW RICK LI 12APR2021	 <b>trp</b> CONNECTOR DONGGUAN CHINA a bel group
DIMENSIONS: mm		CHK TERRY LIN 12APR2021	
TOLERANCES UNLESS OTHERWISE SPECIFIED:		APPD TONY YUAN 12APR2021	
0 PLC ±0.25 1 PLC ±0.25 2 PLC ±0.25 3 PLC ± 4 PLC ± ANGLES ± APPLICATION SPEC -	MODEL NAME MAGJACK STACK 4PPOE	DESC 2X6 S9UFG04ET 5G 4PPOE 100W CIRCUIT	RESTRICTED TO
PRODUCT SPEC 108-104017	SCALE NTS	SIZE A1	CAGE CODE C=2250756
CUSTOMER DRAWING		SHEET 4	REV 1

2250756					STOCK DISPOSITION			
2X6 S9UFG04ET 5G 4PPOE 100W CIRCUIT					A: CONTINUE AS IS		D: USE OLD FIRST	
					B: REWORK		E: PARTS TO CONFORM	
					C: SCRAP		F: OTHER	
REVISION HISTORY								
DATE	REV	CHANGES	REASON	APPROVAL	INVENTORY (A,B,C,D,E,F)	WORK IN PROCESS (A,B,C,F)	SUPPLIER ORDERS (A,E,F)	OPEN CUST ORDERS (A,E,F)
12APR2021	I	-	INITIAL RELEASE	TY	-	-	-	-

THIS DRAWING IS A CONTROLLED DOCUMENT. AND COMPLIANT TO ASME Y14.5M		DNW RICK LI 12APR2021	 <b>trp</b> CONNECTOR a bel group DONGGUAN CHINA
DIMENSIONS: mm		CHK TERRY LIN 12APR2021	
TOLERANCES UNLESS OTHERWISE SPECIFIED:		APPV TONY YUAN 12APR2021	
0 PLC ±0.25 1 PLC ±0.25 2 PLC ±0.25 3 PLC ± 4 PLC ± ANGLES ± APPLICATION SPEC		MODEL NAME MAGJACK STACK 4PPOE	DESC 2X6 S9UFG04ET 5G 4PPOE 100W CIRCUIT
PRODUCT SPEC 108-104017	APPLICATION SPEC -	SIZE A1	CAGE CODE C=2250756 DRAWING NO RESTRICTED TO CUSTOMER DRAWING
		SCALE NTS	SHEET 5 OF 5 REV 1