

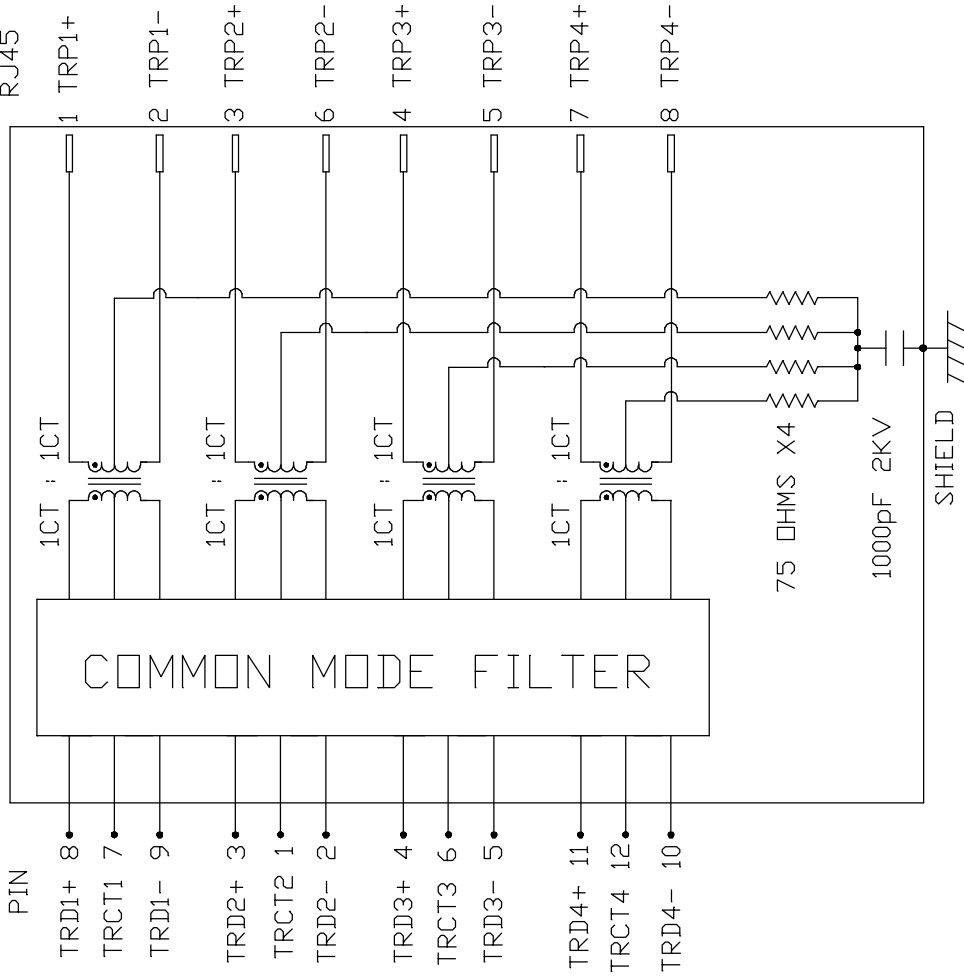
THE INFORMATION CONTAINED HEREIN IS CONSIDERED 'PROPRIETARY' TO BEL FUSE INC. AND SHALL NOT BE COPIED, REPRODUCED OR DISCLOSED WITHOUT THE WRITTEN APPROVAL OF BEL FUSE INC.

RoHS



RJ45

SCHEMATIC



ELECTRICAL CHARACTERISTICS @ 25°C

RETURNS RATIO

1CT : 1CT
 1CT : 1CT
 1CT : 1CT
 1CT : 1CT

INS. LOSS (MAX)

1MHz TO 20MHz
 50MHz -0.8 dB
 200MHz -1.0 dB
 400MHz -1.2 dB
 500MHz -2.0 dB
 -3.0 dB

RET. LOSS (MIN)

1MHz - 40MHz -16 dB
 40MHz - 400 MHz -16+10LOG (F/40) dB
 400MHz - 500 MHz -6+30LOG (F/400) dB

CM TO CM REJ

1MHz - 500MHz -30 dB MIN

CM TO DM REJ

1MHz - 500MHz -30 dB MIN

HIPOT (Isolation Voltage): 2250VDC

100% OF PRODUCTION TESTED TO COMPLY WITH IEEE 802.3 ISOLATION REQUIREMENTS.

OPERATING TEMPERATURE: 0°C TO +70°C.

ORIGINATED BY
 CHOW WANCHUNG
 DATE 2019-04-23

DRAWN BY
 XIE YIMING
 DATE 2019-04-23

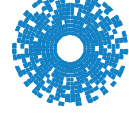
TITLE
 10 gigabit MagJack®
 (With Light Pipe Only)
 (Ultra Low Profile)
 G10-18NN-012E
 PATENTED

PART NO. / DRAWING NO.
 G10-18NN012E

FILE NAME
 G10-18NN012E_A.DWG

STANDARD DIM. TOL. IN INCH	[] METRIC DIM. AS REF.
.X	UNIT : INCH [mm]
.XX	SCALE : N/A
.XXX	SIZE : A4

REV. : A PAGE : 2

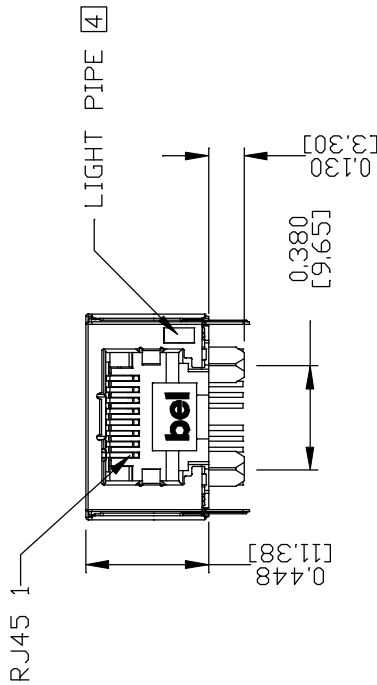
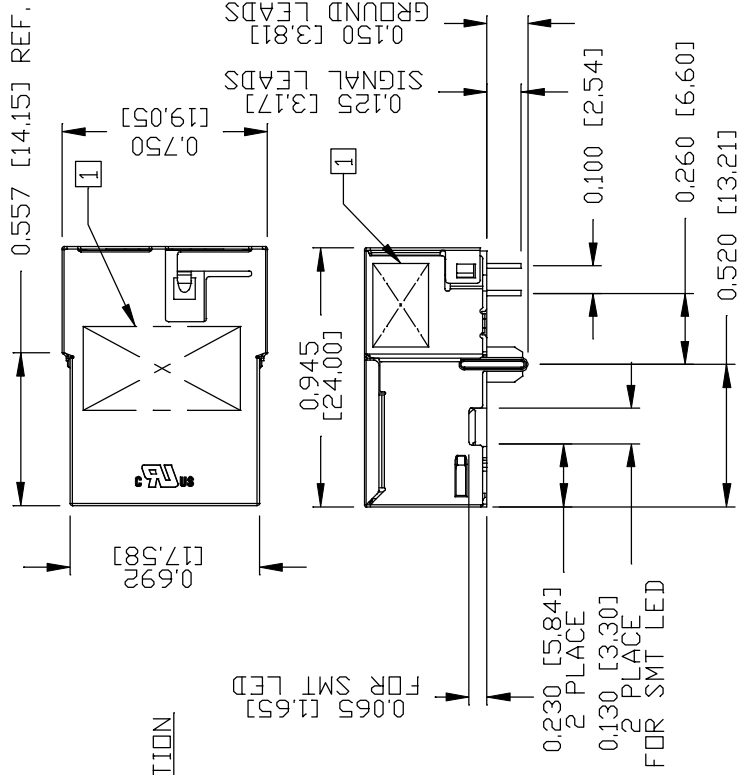


MAGNETIC SOLUTIONS
 a bel group

THE INFORMATION CONTAINED HEREIN IS CONSIDERED "PROPRIETARY" TO BEL FUSE INC. AND SHALL NOT BE COPIED, REPRODUCED OR DISCLOSED WITHOUT THE WRITTEN APPROVAL OF BEL FUSE INC.



MECHANICAL SPECIFICATION



NOTES:

PLASTIC HOUSING: THERMOPLASTIC PA, BLACK.

FLAMMABILITY RATING UL 94V-0

CONTACTS: 50 MICRO-INCH HARD GOLD PLATING OR EQUIVALENT.

OUTPUT PINS: TIN-COATED COPPER WIRE, DIA 0.018 INCH. 100 MICRO-INCH MIN MATTE TIN. PINS ARE SOLDER DIPPED.

METAL SHIELD: NICKEL PLATED ON COPPER ALLOY. (ALL GROUND LEADS ARE SOLDER DIPPED)

[1] MARK PART WITH PART NUMBER, DATE CODE AND PATENTED.

[2] MARK PART WITH MFG. LOGO, MFG. NAME ON BACK VIEW.

3. THE PRODUCT IS RoHS COMPLIANT AND HALOGEN FREE. JACK CAVITY CONFORMS TO FCC RULES AND REGULATIONS.

AIUS UL RECOGNIZED - FILE # E169987.

- [4] THE FINISHED GOODS IS WITHOUT SMD LED. THE SMD LED IS PROVIDED BY CUSTOMER HERSELF. AND THE SMD LED IS MOUNTED ON CUSTOMER PCB.
- 5. THE PRODUCT IS PATENTED, "PATENTED" MARKING IS ON THE TOP SURFACE, THE PATENT NUMBER ARE U.S. PAT. 7,429,195 & U.S. PAT, 7,123,117 & U.S. PAT, 6,840,817 AND U.S. PAT. 7,924,130.
- 6. THE AXIAL RETENTION FORCE OF RJ PORT IS 15LBS MIN.
- 7. THE PART IS RECOMMENDED FOR WAVE SOLDERING, THE SUGGESTED PEAK WAVE SOLDERING CONDITION IS 260°C MAX AND 10 SECONDS MAX.

ORIGINATED BY SANDY LIN
DATE 2019-04-23
DRAWN BY OLIVER ZHANG
DATE 2019-04-23

TITLE 10 gigabit MagJack® (With Light Pipe Only) (Ultra Low Profile) G10-18NN-012E PATENTED

PART NO. / DRAWING NO. G10-18NN012E
FILE NAME G10-18NN012E_A.DWG

STANDARD DIM. TOL. IN INCH	[] METRIC DIM. AS REF.
.X	UNIT : INCH [mm]
.XX	SCALE : N/A
.XXX	SIZE : A4

REV. : A

PAGE : 3

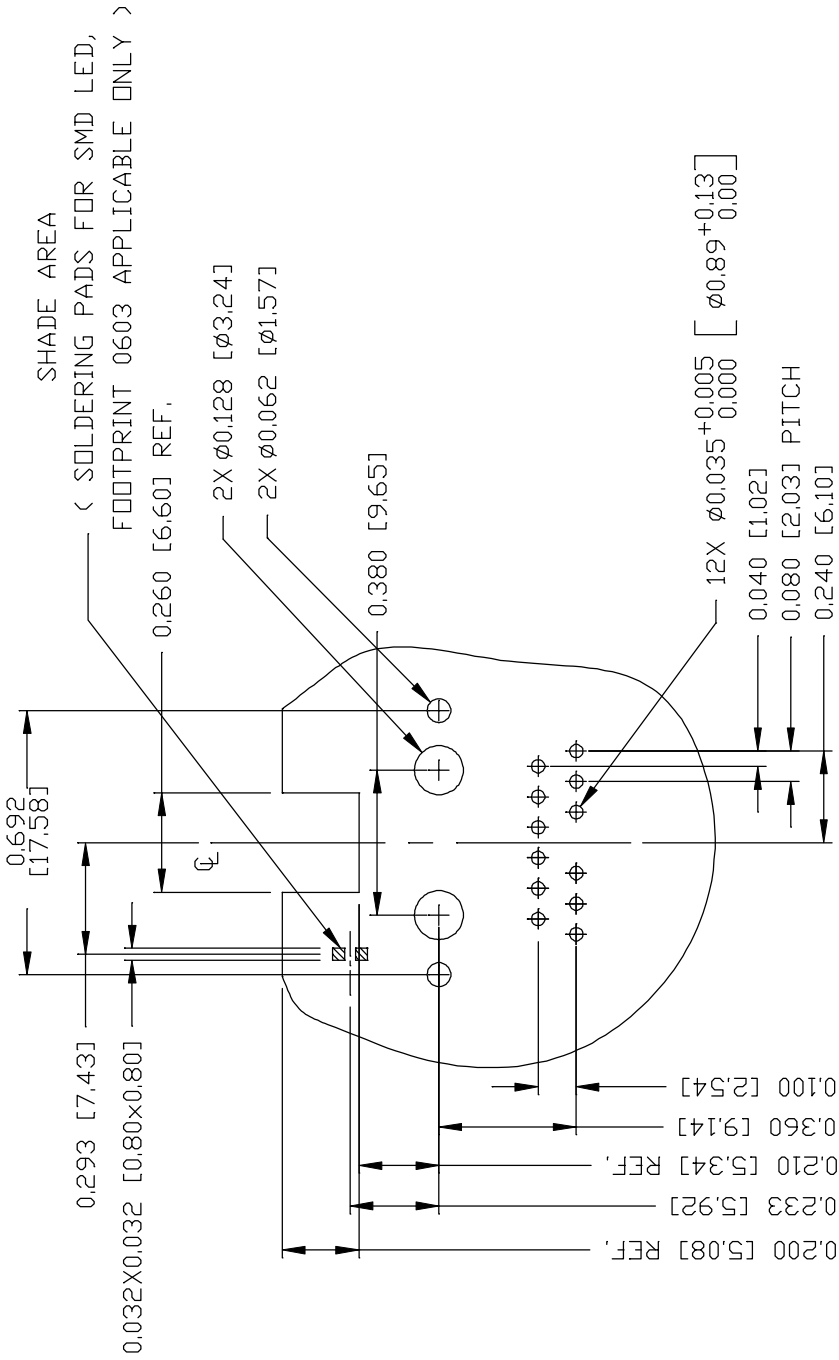


THE INFORMATION CONTAINED HEREIN IS CONSIDERED 'PROPRIETARY' TO BEL FUSE INC. AND SHALL NOT BE COPIED, REPRODUCED OR DISCLOSED WITHOUT THE WRITTEN APPROVAL OF BEL FUSE INC.



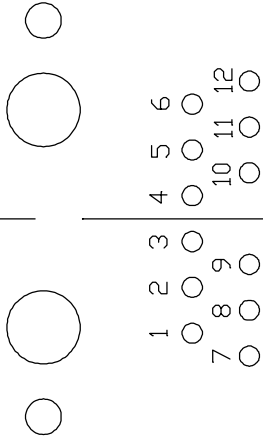
RECOMMENDED PCB FOOTPRINT

COMPONENT SIDE VIEW



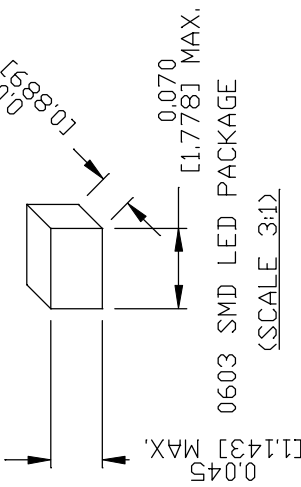
FOR ONE UNIT

13
14



PIN-OUT INFORMATION

(SCALE 1.5:1)



ORIGINATED BY SANDY LIN	TITLE 10 gigabit MagJack® (With Light Pipe Only) (Ultra Low Profile)	PART NO. / DRAWING NO. G10-18NN012E	STANDARD DIM. TOL. IN INCH	[] METRIC DIM. AS REF.
DATE 2019-04-23	DRAWN BY OLIVER ZHANG	FILE NAME G10-18NN012E_A.DWG	.X	UNIT : INCH [mm]
DATE 2019-04-23	DATE 2019-04-23	PATENTED	.XX	SCALE : N/A
			.XXX	SIZE : A4

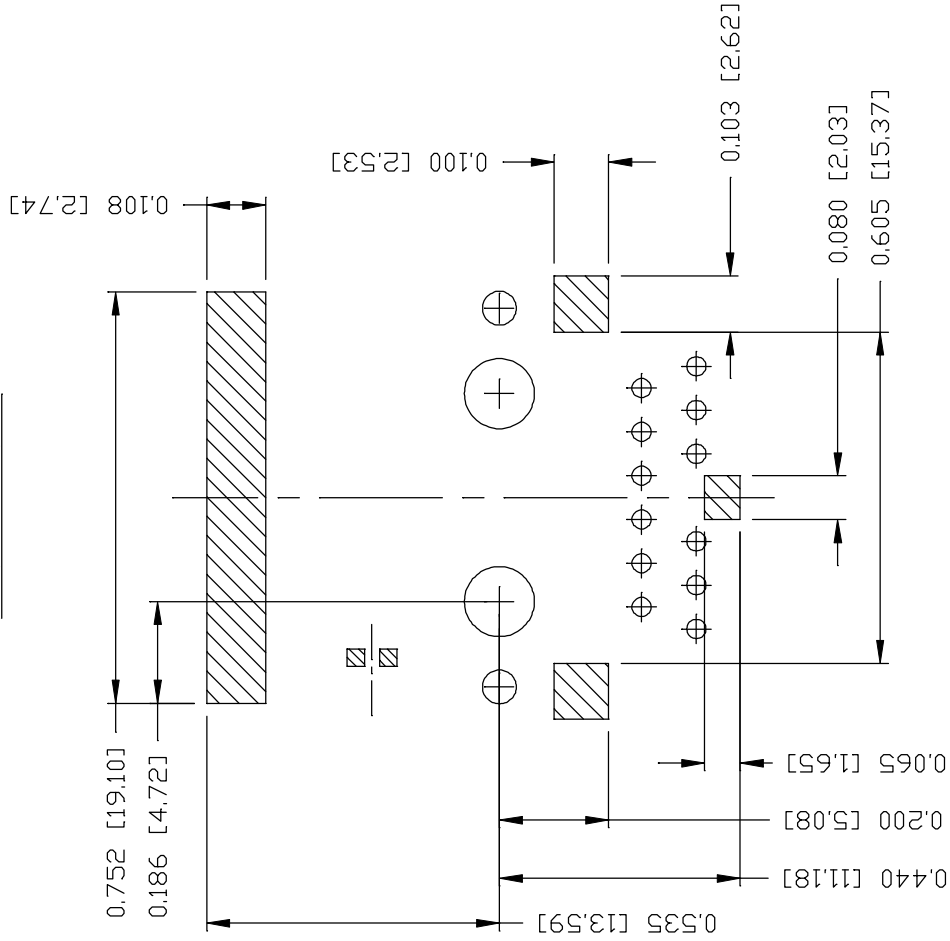
This document is electronically generated. This is a controlled copy if used internally



THE INFORMATION CONTAINED HEREIN IS CONSIDERED PROPRIETARY TO BEL FUSE INC. AND SHALL NOT BE COPIED, REPRODUCED OR DISCLOSED WITHOUT THE WRITTEN APPROVAL OF BEL FUSE INC.



KEEP OUT AREA



NOTES:

THE SHADED AREA ON THE CUSTOMER BOARD ARE RECOMMENDED TO BE CLEAR

ANY VIA HOLE OR COMPONENT PAD.

REV. : A		PAGE : 5	
ORIGINATED BY SANDY LIN DATE 2019-04-23 DRAWN BY OLIVER ZHANG DATE 2019-04-23		TITLE 10 Gigabit MagJack® (With Light Pipe Only) (Ultra Low Profile) G10-18NN-012E PATENTED	
PART NO. / DRAWING NO. G10-18NN012E FILE NAME G10-18NN012E_A.DWG		STANDARD DIM. TOL. IN INCH .X .XX .XXX	
<input type="checkbox"/> METRIC DIM. AS REF. UNIT : INCH [mm] SCALE : N/A		#0.004 <input type="checkbox"/> SIZE : A4	
		MAGNETIC SOLUTIONS cbel group	

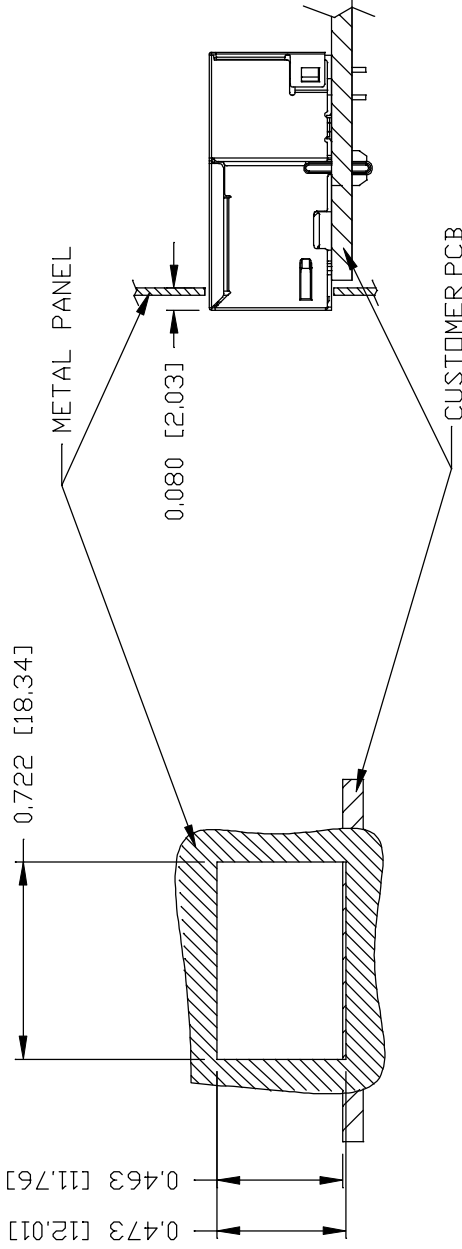
This document is electronically generated. This is a controlled copy if used internally

THE INFORMATION CONTAINED HEREIN IS CONSIDERED "PROPRIETARY" TO BEL FUSE INC. AND SHALL NOT BE COPIED, REPRODUCED OR DISCLOSED WITHOUT THE WRITTEN APPROVAL OF BEL FUSE INC.

RoHS



SUGGESTED PANEL OPENING



NOTE:

THE DISTANCE OF PANEL INSIDE SURFACE RELATIVE TO FRONT SURFACE OF PART IS ONLY A SUGGESTION, IN CASE THIS DISTANCE IS DIFFERENT, THE REQUIRED PANEL OPENING DIMENSIONS CHANGE ACCORDINGLY.

TRAY PACKING INFORMATION

PACKING TRAY : 0200-9999-E4 (TOP)
 0200-9999-E5 (BOTTOM)
 PACKING QUANTITY : 60 PCS FINISHED GOODS PER TRAY
 11 TRAYS (660 PCS FINISHED GOODS) PER CARTON BOX
 REMARK : CARDBOARDS ARE PLACED BETWEEN LAYERS OF PACKING TRAY INSIDE CARTON BOX
 (INCLUDE THE UPPERMOST AND LOWERMOST TRAY)

REV. : A		PAGE : 6	
ORIGINATED BY SANDY LIN DATE 2019-04-23 DRAWN BY QILIVER ZHANG DATE 2019-04-23		PART NO. / DRAWING NO. G10-18NN012E FILE NAME G10-18NN012E_A.DWG	
TITLE 10 glgabit MagJack® (With Light Pipe Only) (Ultra Low Profile) G10-18NN-012E PATENTED		STANDARD DIM. TOL. IN INCH .X .XX .XXX	
[] METRIC DIM. AS REF.		UNIT : INCH [mm] SCALE : N/A SIZE : A4	
+0.005		@	
MAGNETIC SOLUTIONS bel c bel group		This document is electronically generated. This is a controlled copy if used internally	