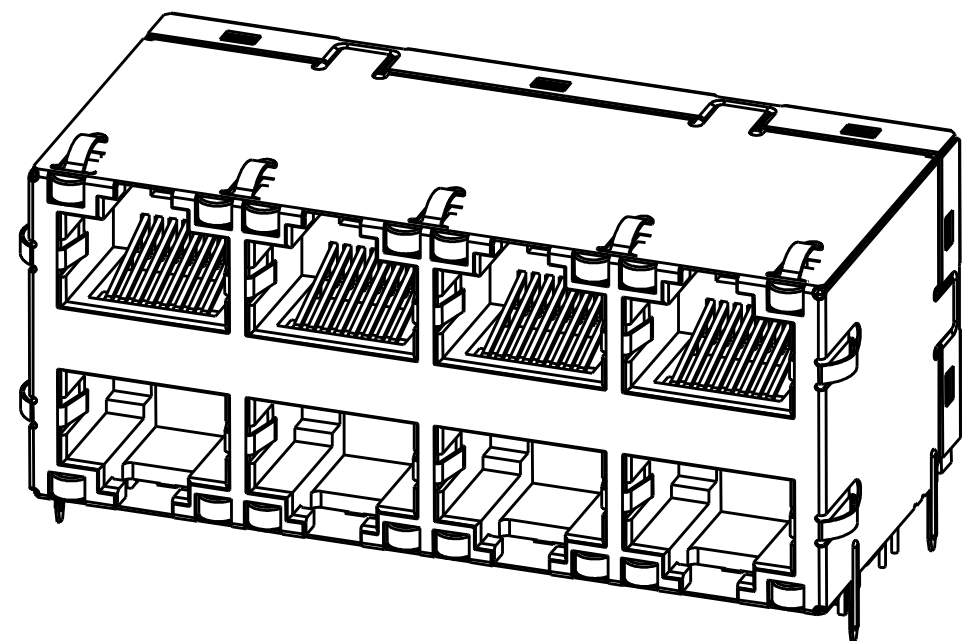


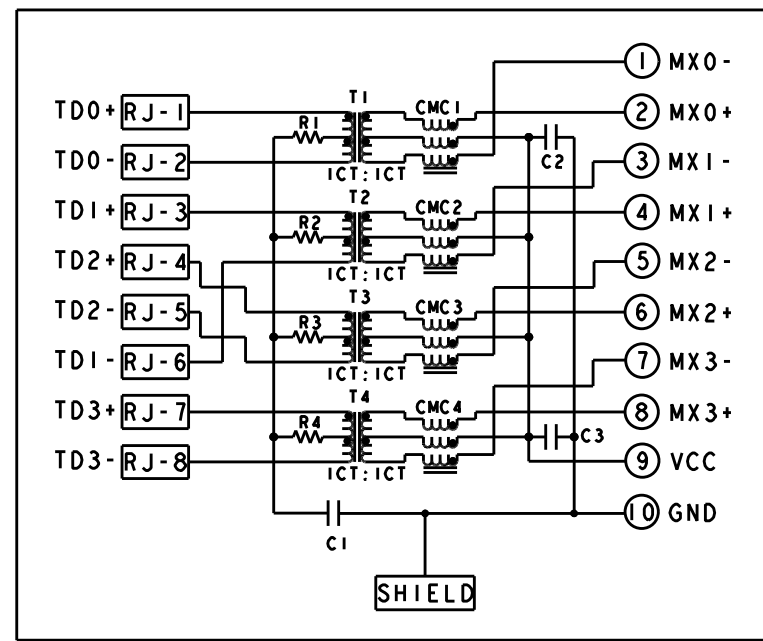
THIS DRAWING AND THE SUBJECT MATTER SHOWN THEREON ARE CONFIDENTIAL AND THE PROPERTY OF BEL/STEWART/TRP CONNECTOR AND SHALL NOT BE REPRODUCED, COPIED, OR USED IN ANY MANNER WITHOUT THE WRITTEN CONSENT OF TRP CONNECTOR.

PRODUCT MAY BE PROTECTED BY ONE OR MORE OF THE FOLLOWING US PATENTS:
 5736910 5939955 6425781 6428361 6554638 6840817 7123117
 7429195 7717749 7808751 6217391 6149050 7924130

REVISIONS					
REV	DATE	BY	CHK	APPV	DESCRIPTION
E	16 JAN 2015	CZ	TY		EC-1411035 COMPANY LOGO CHANGE



TOP AND BOTTOM PORTS



C1 = 1000pF, 2kV CAPACITOR
 C2 - C3 = 10nF, 50V CCAPACITORS
 R1-R4 = 75 Ohms, 1/16 W, RESISTORS

- 1. MATERIALS:
 PLASTIC HOUSING: BLACK, THERMOPLASTIC FLAMMABILITY RATING UL 94V-0
 SHIELD: BRASS, PREPLATED WITH 0.76um MIN SEMI-BRIGHT NICKEL,
 POST DIPPED WITH 2.54um MIN SAC SOLDER ON SOLDER TAILS.
 CONTACTS: PHOSPHOR BRONZE, 1.27um MIN OVERALL NICKEL
 UNDERPLATE WITH SELECTED 1.27um MIN GOLD OR WITH SELECT 0.05um
 MIN GOLD OVER 0.76um MIN PALLADIUM-NICKEL AT MATING INTERFACE
 AND 2.54um MIN MATTE TIN ON SOLDER TAILS.
 LED: DIFFUSED EPOXY LENS, CARBON STEEL LEAD FRAME TAILS OF LED
 ARE PREPLATED WITH 2.03um MIN SILVER OVER 1.02um MIN NICKEL
 UNDERPLATE OVER 1.02um MIN COPPER UNDERPLATE, POST-PLATED WITH
 2.54um MIN MATTE TIN AND/OR SAC SOLDER DIP OR PURE TIN SOLDER DIP

- 2. MAGNETICS
 APPLICATION: 10/100/1000 BASE-T
 IMPEDANCE: 100 OHMS
 TURNS RATIO (CHIP:CABLE): 1:1 ALL FOUR PAIRS
 OPEN CIRCUIT INDUCTANCE (OCL): 350uH MIN @100kHz, 0.1VRMS,
 8mADC BIAS FROM 0°C TO 70°C, ALL FOUR PAIRS
 ALL FOUR PAIRS BI-DIRECTIONAL
 PERFORMANCE @ 25°C:
 INSERTION LOSS (IL): 1.1dB MAX FROM 0.5MHz TO 100MHz
 RETURN LOSS (RL): 18dB MIN FROM 0.5MHz TO 40MHz
 12-20LOG(f/80)dB MIN FROM 40.1MHz TO 100MHz
 CROSSTALK ATTENUATION: 35dB MIN FROM 0.5MHz TO 40MHz
 33-20LOG(f/50)dB MIN FROM 40.1MHz TO 100MHz
 COMMON MODE REJECTION RATIO (CMRR): 30dB MIN FROM 0.5MHz TO 100MHz
 ISOLATION VOLTAGE: 2250VDC(MAX) FOR 60 SECONDS WITH A RISE TIME OF
 500V/SEC AND WITH ALL PORTS CONNECTED.

- 3. PART NUMBER, DATE CODE AND COUNTRY OF ORIGIN ARE LOCATED
 IN APPROXIMATE AREA SHOWN. DATE CODE: "YY" IS YEAR, "WW" IS
 WORK WEEK, "D" IS DAY OF WEEK, WITH SUNDAY=1

- 4. TRP LOGO AND AGENCY APPROVAL LOGO ARE
 LOCATED IN APPROXIMATE AREA SHOWN.

- 5. OPERATING TEMP: FROM 0°C TO +70°C.
- 6. RJ45 CAVITY CONFORMS TO FCC RULES AND REGULATION PART 68 SUBPART F.

- 7. INDICATED MAGNETIC CONNECTIONS ARE SYMMETRICAL AND
 SUPPORT AUTO-MDI/MDIX.

- 8. DATUM AND BASIC DIMENSION ESTABLISHED BY CUSTOMER.

- 9. BASIC DIMENSION ESTABLISHED BY CUSTOMER, BUT MAY NOT BE
 GREATER THAN 5.08mm.

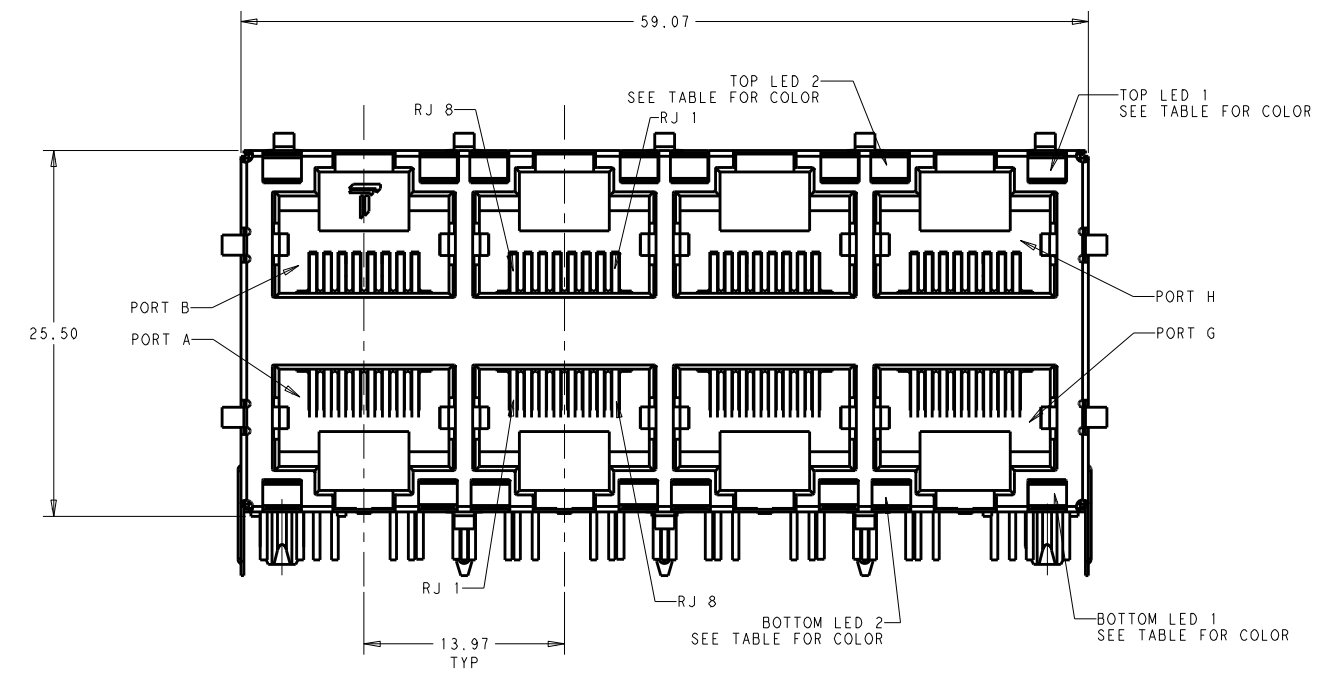
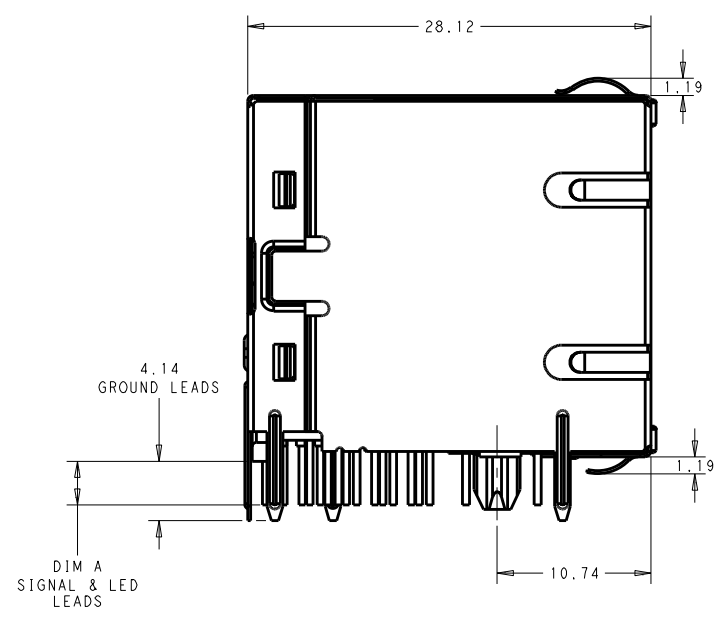
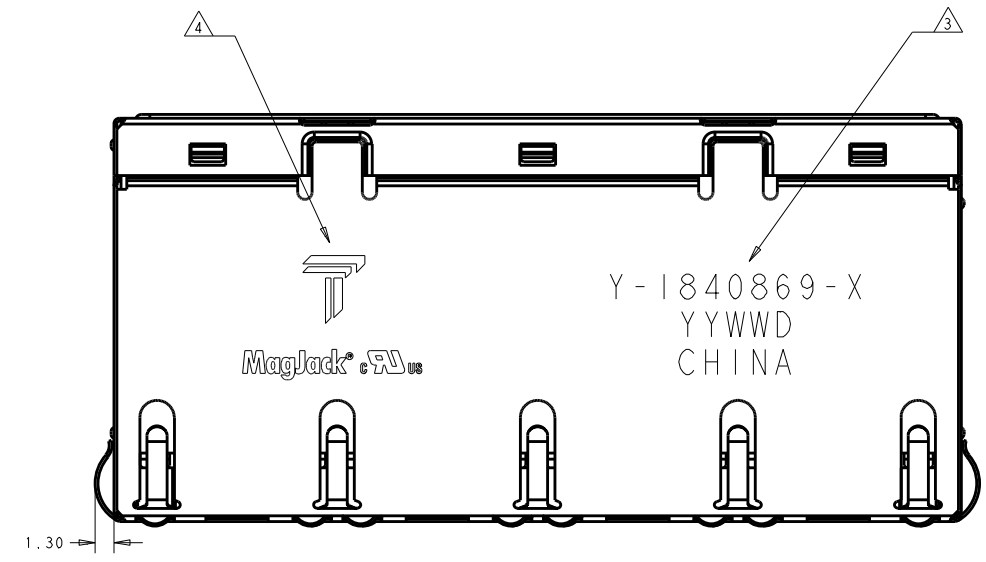
- 10. LEDs ARE DRIVEN WITH CONSTANT CURRENT AT APPROX 20mA
 LED COLOR: DOMINANT WAVELENGTH (λD): GREEN 568 nm TYP. @ IF=20mA
 FORWARD VOLTAGE (VF): GREEN 2.2V TYP. @ IF=20mA
 DOMINANT WAVELENGTH (λD): ORANGE 605 nm TYP. @ IF=20mA
 FORWARD VOLTAGE (VF): ORANGE 2.1V TYP. @ IF=20mA
 DOMINANT WAVELENGTH (λD): YELLOW 588 nm TYP. @ IF=20mA
 FORWARD VOLTAGE (VF): YELLOW 2.1V TYP. @ IF=20mA

- 11. THE PARTS ARE RECOMMENDED FOR WAVE SOLDERING PROCESS,
 PEAK TEMPERATURE 260°C MAX, 10 SECONDS MAX.

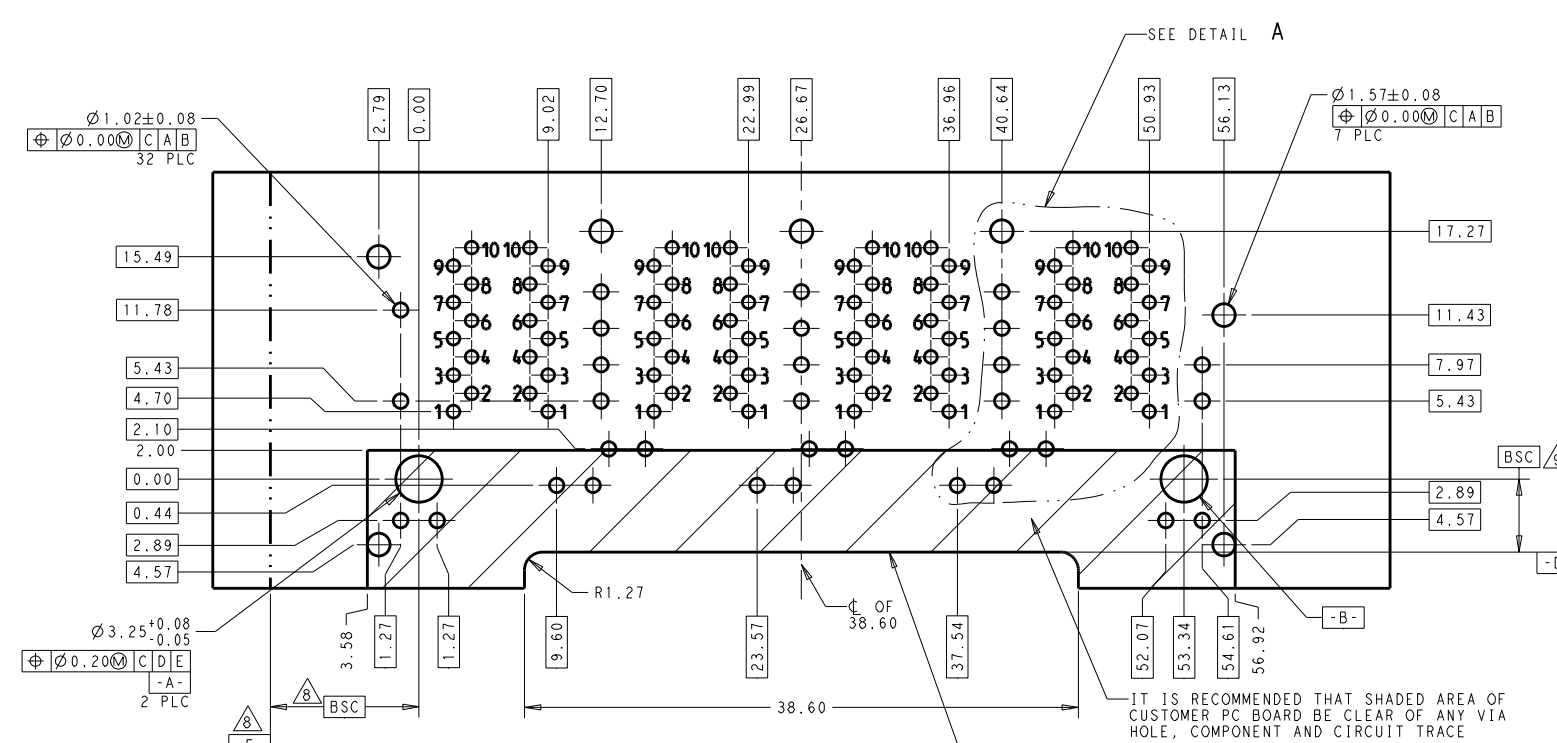
2.50	GREEN	GREEN	GREEN	GREEN	1-1840869-1
3.04	GREEN	GRN/ORA	GREEN	GRN/ORA	1840869-6
3.04	GRN/YEL	GRN/YEL	GRN/YEL	GRN/YEL	1840869-4
3.04	GREEN	GREEN	GREEN	GREEN	1840869-1
DIM A	BOTTOM LED 2	BOTTOM LED 1	TOP LED 2	TOP LED 1	PART NUMBER

THIS DRAWING IS A CONTROLLED DOCUMENT.

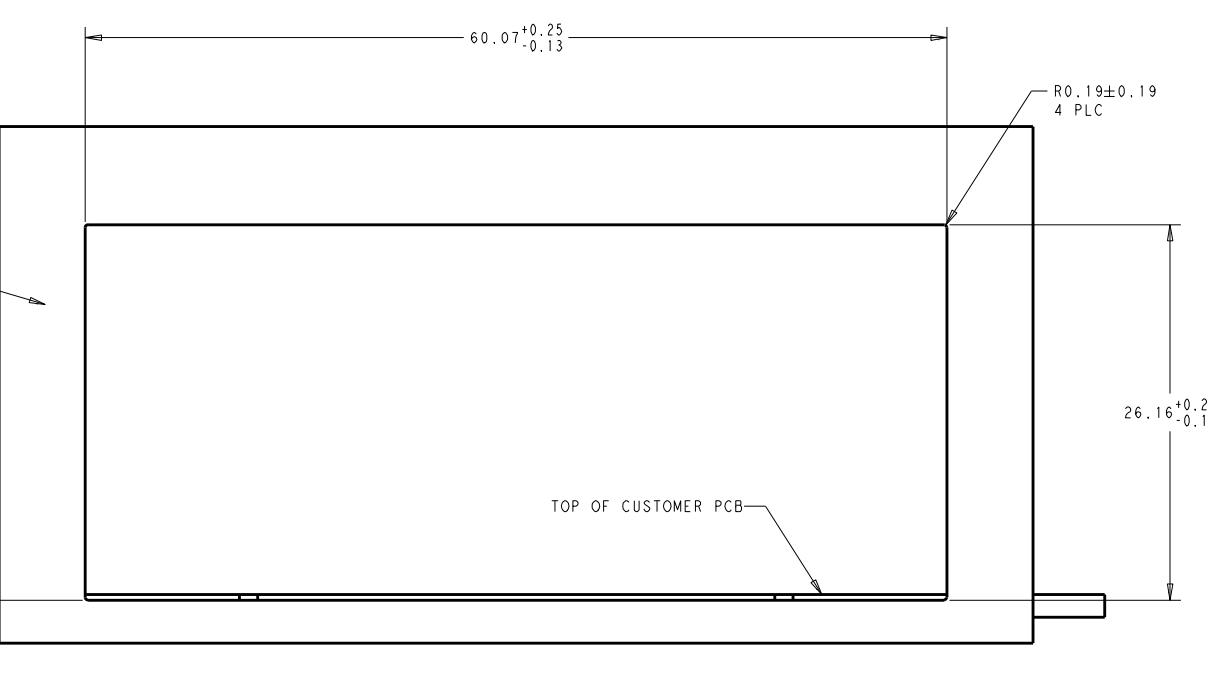
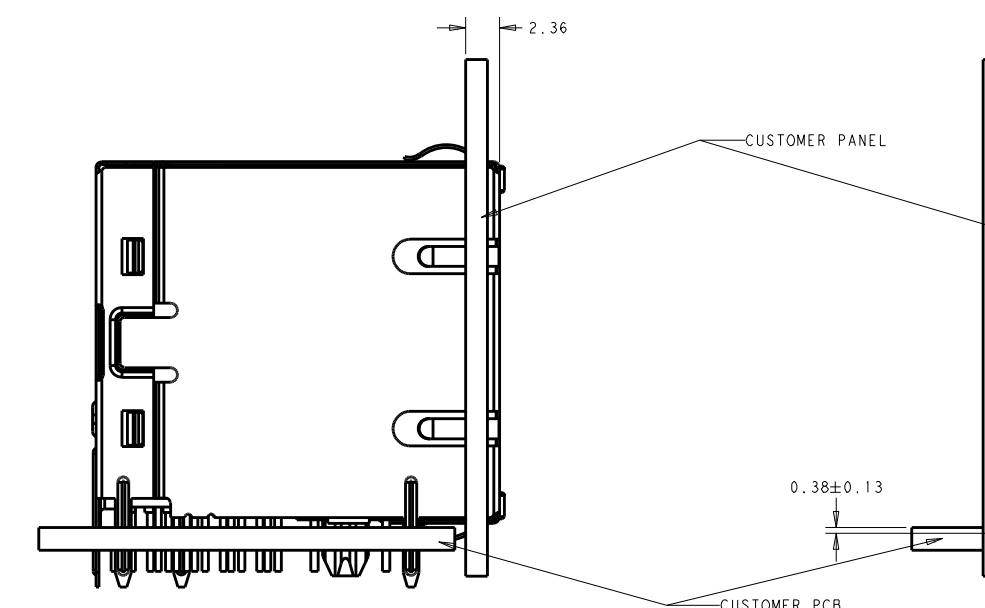
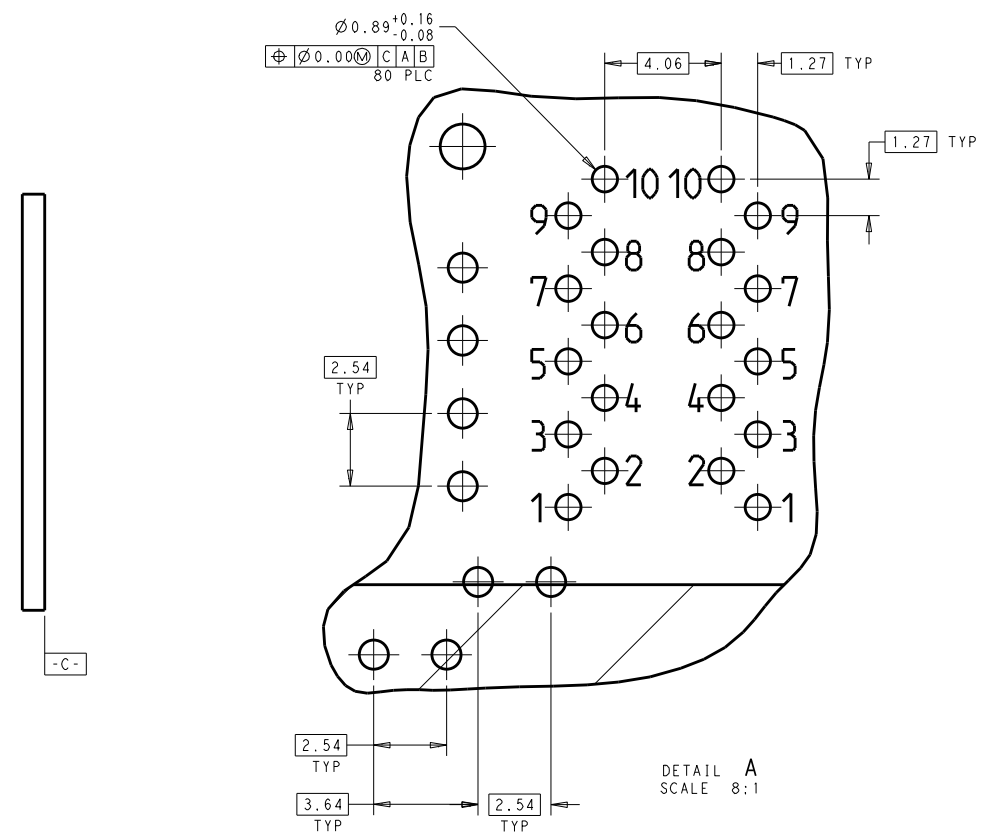
DIMENSIONS: mm 		TOLERANCES UNLESS OTHERWISE SPECIFIED: 0 PLC ± 1 PLC ± 2 PLC ±0.25 3 PLC ± 4 PLC ± ANGLES ±		THIS DRAWING IS A CONTROLLED DOCUMENT. DATE: 24NOV2010 BY: JAMISON CHEN/KO L CHK: TONY YUAN APVD: KELTH ZHU MODEL NAME: MAGJACK PRODUCT SPEC: 108-104004 APPLICATION SPEC:		TRP CONNECTOR DONGGUAN CHINA 2X4 GIGABIT W/ LED SIZE: A1 SCALE: NTS SHEET 1 OF 4 REV E	
-----------------------	--	---	--	---	--	--	--



THIS DRAWING IS A CONTROLLED DOCUMENT.		DWN JAMISON CHEN/KO L1 24NOV2010 CHK TONY YUAN 24NOV2010 APVD KEITH ZHU 24NOV2010	trp CONNECTOR DONGGUAN CHINA
DIMENSIONS: mm	TOLERANCES UNLESS OTHERWISE SPECIFIED: 0 PLC ± 1 PLC ± 2 PLC ±0.25 3 PLC ± 4 PLC ± ANGLES ±	MODEL NAME MAGJACK STACK NON-POE	
PRODUCT SPEC 108-104004	APPLICATION SPEC -	SIZE A1	CAGE CODE -
CUSTOMER DRAWING		DRAWING NO 1840869	RESTRICTED TO -
		SCALE NTS	SHEET 2 OF 4
		REV F	



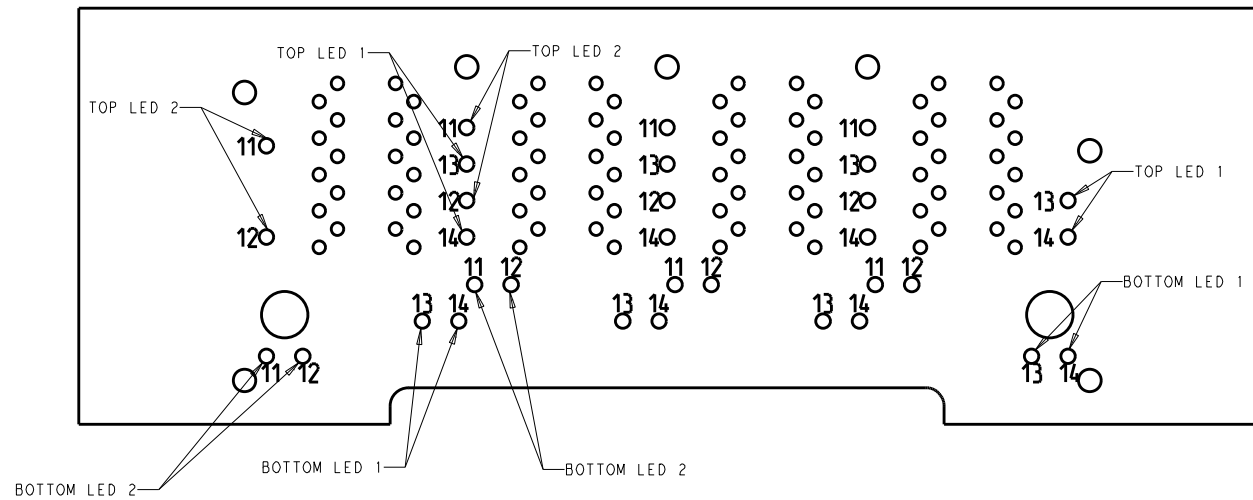
RECOMMENDED PCB LAYOUT (TOL: ±0.08)
COMPONENT SIDE VIEW



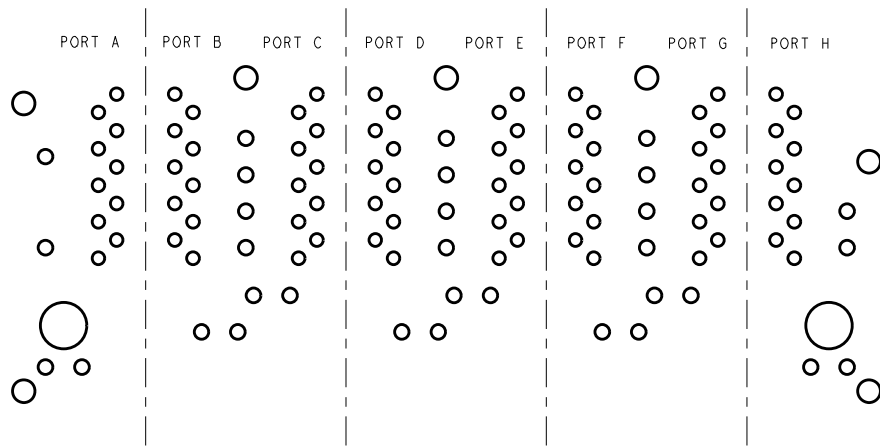
SHOWN WITH PANEL AND CUSTOMER PCB ASSEMBLY

SUGGESTED PANEL CUTOUT DIMENSIONS (TOL: ±0.10)

THIS DRAWING IS A CONTROLLED DOCUMENT.		DWG 24NOV2010 JAMISON CHEN/RD L1		DONGGUAN CHINA
DIMENSIONS: mm		CHK 24NOV2010 TONY YUAN		
TOLERANCES UNLESS OTHERWISE SPECIFIED:		APVD 24NOV2010 KELTH ZHU		2X4 GIGABIT W/ LED
	0 PLC ± 1 PLC ± 2 PLC ±0.25 3 PLC ± 4 PLC ±	MODEL NAME	MAGJACK	SIZE A1
PRODUCT SPEC	108-104004	APPLICATION SPEC	STACK NON-POE	DRAWING NO. 1840869
CUSTOMER DRAWING			SCALE NTS	SHEET 3 OF 4 REV F

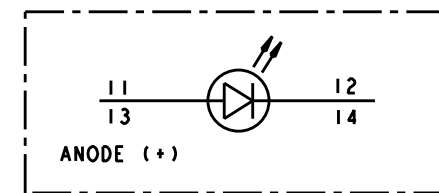


LED HOLE DESIGNATIONS VIEWED FROM COMPONENT SIDE

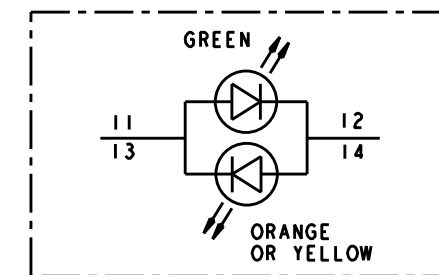


PORT ASSIGNMENT COMPONENT SIDE VIEW

SINGLE COLOR LED



BI COLOR LED



THIS DRAWING IS A CONTROLLED DOCUMENT.		DWN JAMISON CHEN/KO L1 24NOV2010 CHK TONY YUAN 24NOV2010 APVD KEITH ZHU 24NOV2010		DONGGUAN CHINA	
DIMENSIONS: mm 		TOLERANCES UNLESS OTHERWISE SPECIFIED: 0 PLC ± 1 PLC ± 2 PLC ±0.25 3 PLC ± 4 PLC ± ANGLES ±		MODEL NAME: 2X4 GIGABIT W/ LED DESC: MAGJACK STACK NON-POE	
PRODUCT SPEC: 108-104004		APPLICATION SPEC:		SIZE: A1 CAGE CODE: 1840869 DRAWING NO: 1840869 CUSTOMER DRAWING	
				SCALE: NTS SHEET 4 OF 4 REV: F	