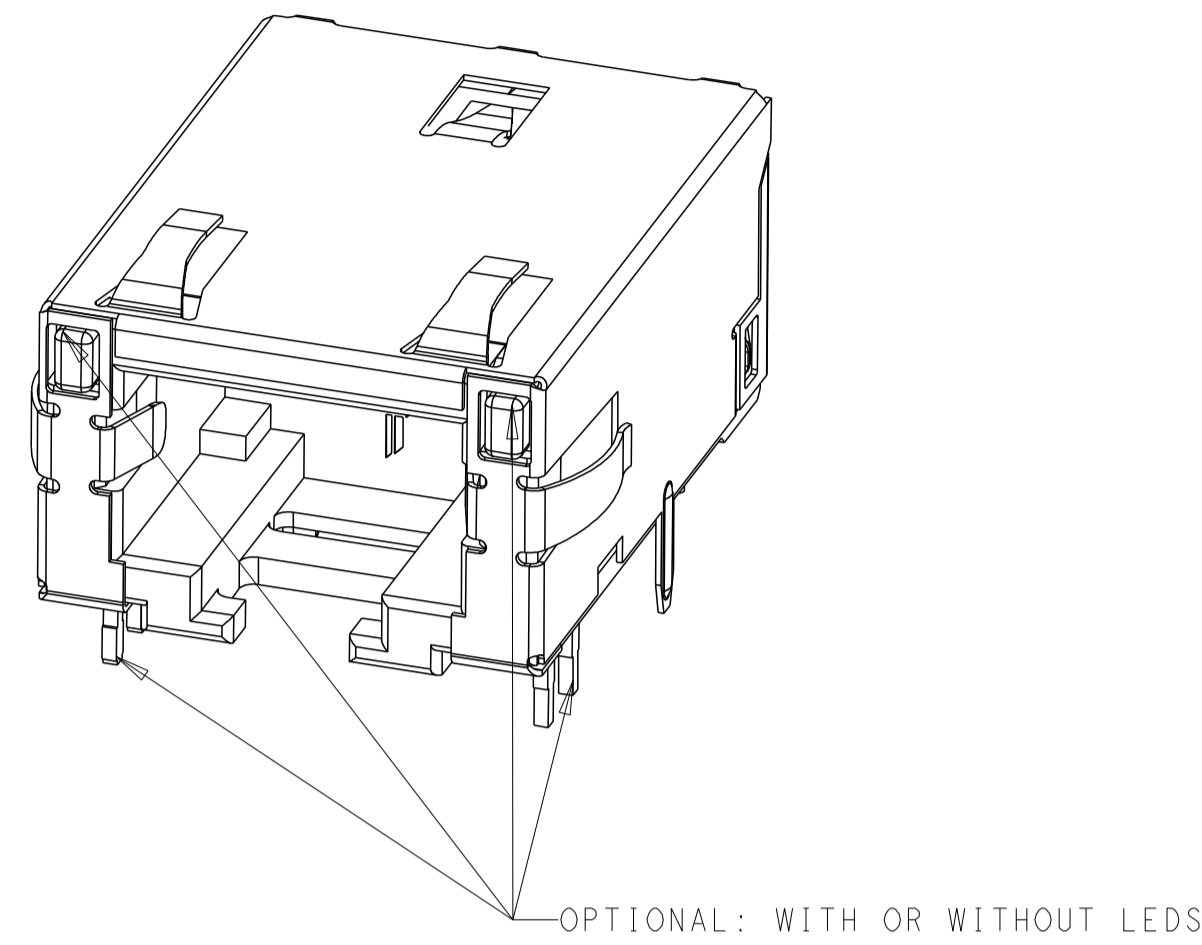
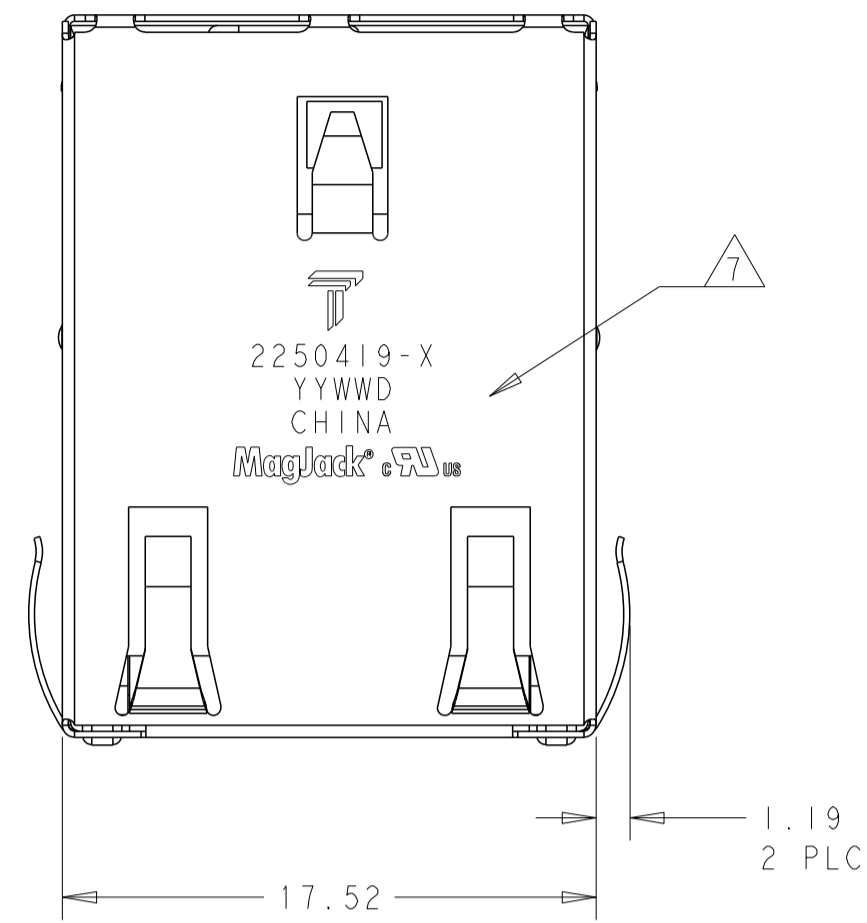


THIS DRAWING AND THE SUBJECT MATTER SHOWN THEREON ARE CONFIDENTIAL AND THE PROPERTY OF BEL/STEWART/TRP CONNECTOR AND SHALL NOT BE REPRODUCED, COPIED, OR USED IN ANY MANNER WITHOUT THE WRITTEN CONSENT OF TRP CONNECTOR.

PRODUCT MAY BE PROTECTED BY ONE OR MORE OF THE FOLLOWING US PATENTS:
 5736910 5939955 6425781 6428361 6554638 6840817 7123117
 7429195 7717749 7808751 6217391 6149050 7924130

REVISIONS				
#	LTN	DESCRIPTION	DATE	OWN APVD
3		EC-2111010	09NOV2021	TRY TY



1. MATERIALS:

- HOUSING: HIGH TEMPERATURE NYLON, BLACK, UL 94V-0
- SHIELD: 0.20mm THICK, BRASS PREPLATED WITH 0.76 μ m MIN SEMI-BRIGHT NICKEL; POST-DIPPED WITH 2 μ m MIN TIN
- CONTACT TAILS: 0.25mm THICK, PHOSPHOR BRONZE, 1.27 μ m MIN OVERALL NICKEL UNDERPLATE, WITH 1.27 MIN GOLD PLATING AT MATING INTERFACE, 3 μ m MIN TIN PLATE ON SOLDER TAILS
- MOD JACK CONTACTS: 0.3mm THICK, PHOSPHOR BRONZE, 1.27 μ m MIN OVERALL NICKEL UNDERPLATE, WITH 1.27 μ m MIN LOCALIZED GOLD PLATE AT PLUG INTERFACE
- LIGHT EMITTING DIODE (LED): DIFFUSED EPOXY LENS, 0.5mm X 0.5mm CARBON STEEL WIREFRAME LEADS PREPLATED WITH 2.03 μ m MIN. SILVER PLATE OVER 1.02 μ m MIN. NICKEL OVER 1.02 μ m MIN. COPPER UNDERPLATE; LEADS POST-PLATED WITH 3.05 μ m MIN. MATTE TIN. DIPPED WITH 2 μ m MIN TIN
- LIGHT PIPE: POLYETHER SULFONE

△ RJ45 JACK CAVITY CONFORMS TO FCC RULES AND REGULATIONS PART 68, SUB-PART F.

△ MAGNETICS:

- APPLICATION: 5G
- IMPEDANCE: 100 OHMS
- TURNS RATIO (CHIP:CABLE): 1:1 ALL FOUR PAIRS
- OPEN CIRCUIT INDUCTANCE (OCL): 160 μ H MIN @ 100kHz, 0.1VRMS, 8mA DC BIAS FROM 0 °C TO 70 °C, ALL FOUR PAIRS
- ALL FOUR PAIRS BI-DIRECTIONAL
- PERFORMANCE @ 25 °C:
- RETURN LOSS
- 1MHz to 50MHz -20dB MAX
- 50MHz to 200MHz -20+8log10(f/50MHz) dB MAX
- 200MHz to 300MHz -15+30log10(f/200MHz) dB MAX
- ISOLATION VOLTAGE: 2250VDC FOR 60 SECONDS WITH A RISE TIME OF 500V/SEC

4. OPERATING TEMPERATURE: FROM 0°C TO 70°C

△ LIGHT PIPES ARE USED TO TRANSMIT LIGHT OF LED.

LEDs ARE DRIVEN WITH CONSTANT CURRENT AT APPROX 20mA.

LED COLOR: DOMINANT WAVELENGTH (λ D): GREEN 568nm TYP. at IF=20mA
 FORWARD VOLTAGE (VF): GREEN 2.2V TYP. at IF=20mA
 DOMINANT WAVELENGTH (λ D): YELLOW 588nm TYP. at IF=20mA
 FORWARD VOLTAGE (VF): YELLOW 2.1V TYP. at IF=20mA

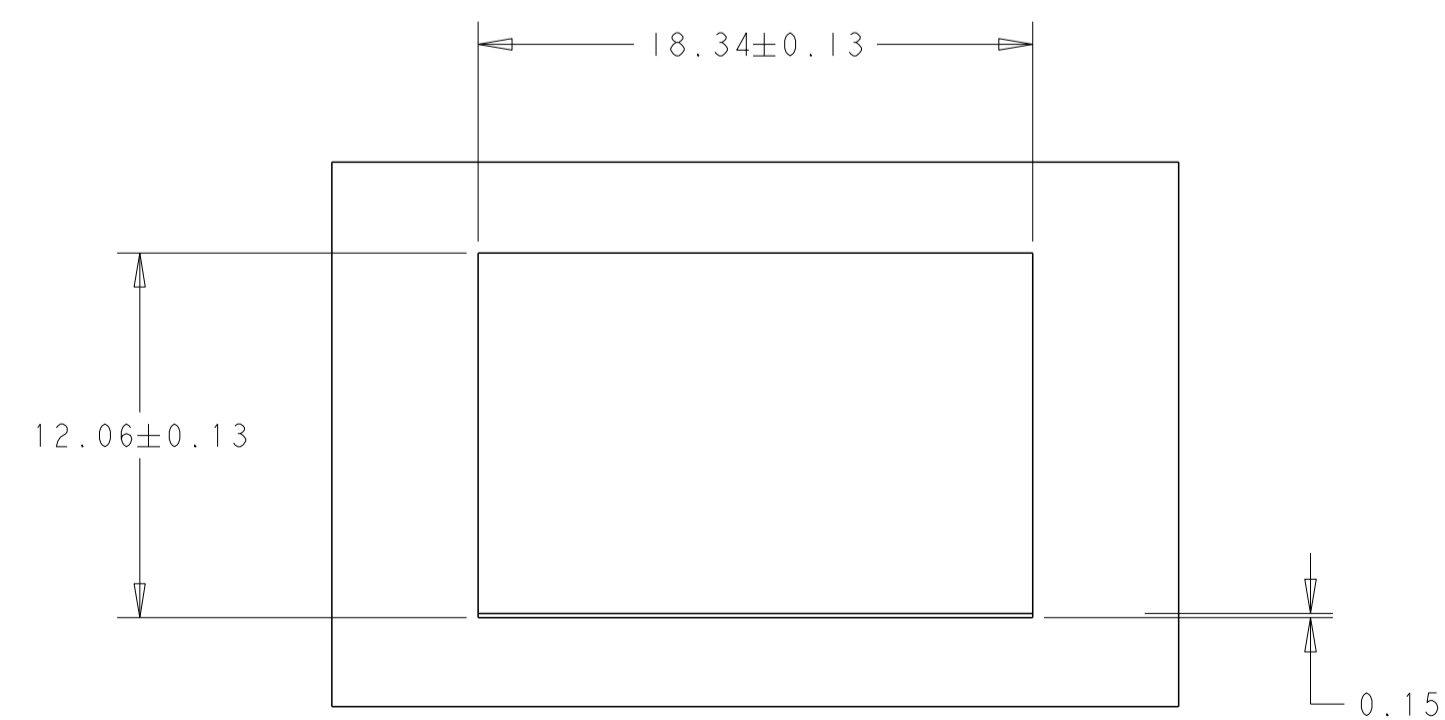
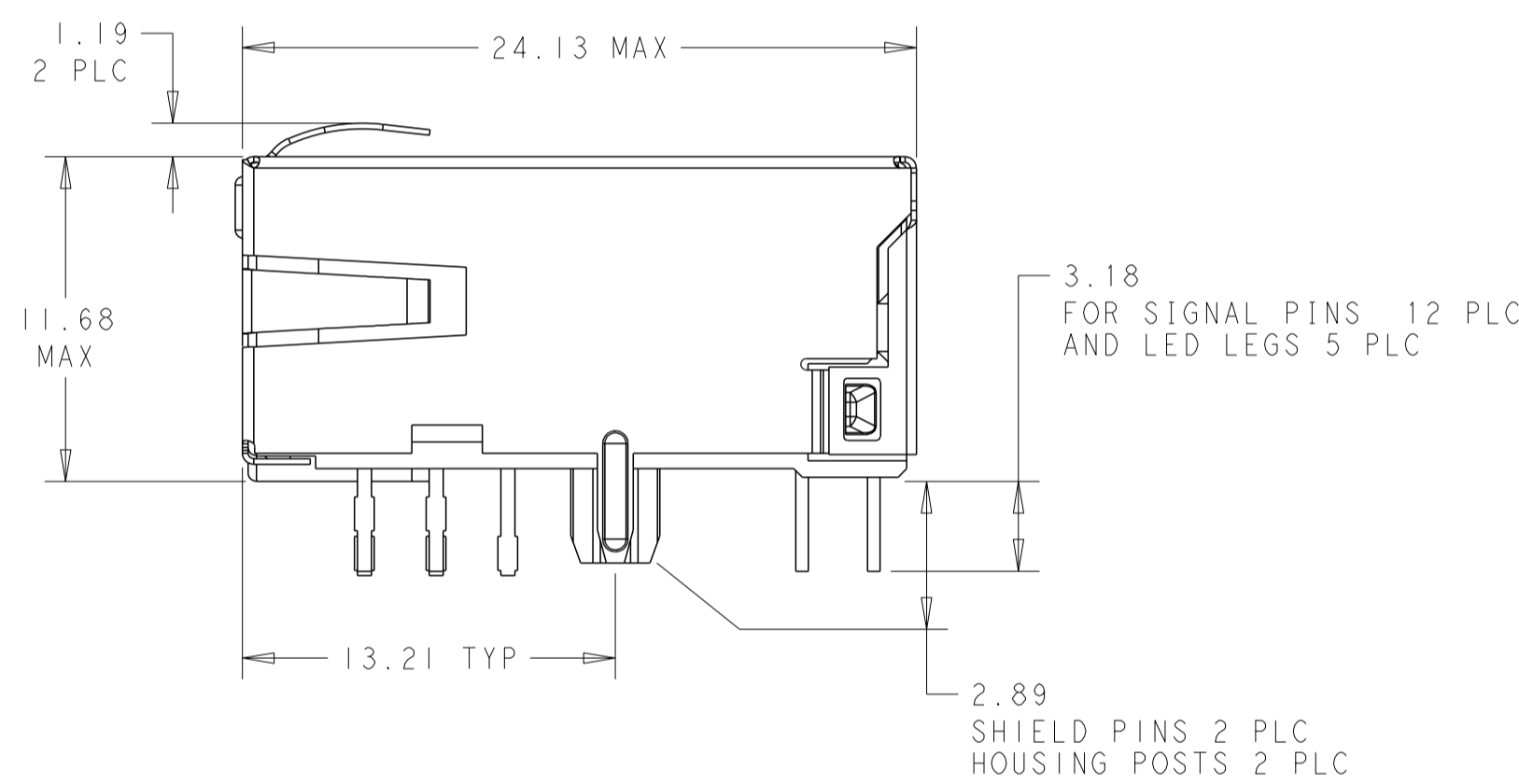
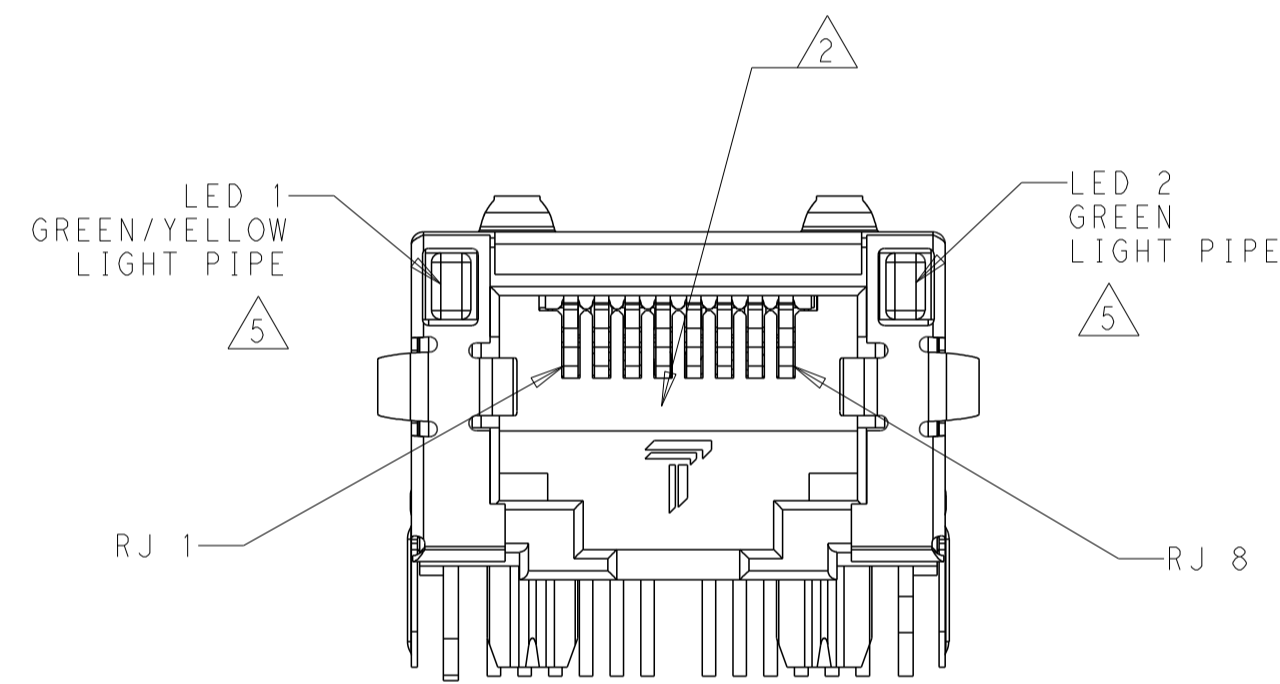
6. ALL DIMENSIONS ARE NOMINAL UNLESS OTHERWISE NOTED.

△ TRP CONNECTOR LOGO, PART NUMBER, DATE CODE, COUNTRY OF ORIGIN, AND AGENCY APPROVAL MARKING IN APPROXIMATE LOCATION SHOWN, DATE CODE: YYWD WHERE YY IS YEAR, WW IS WORK WEEK, D IS DAY OF WEEK, WITH SUNDAY=1.

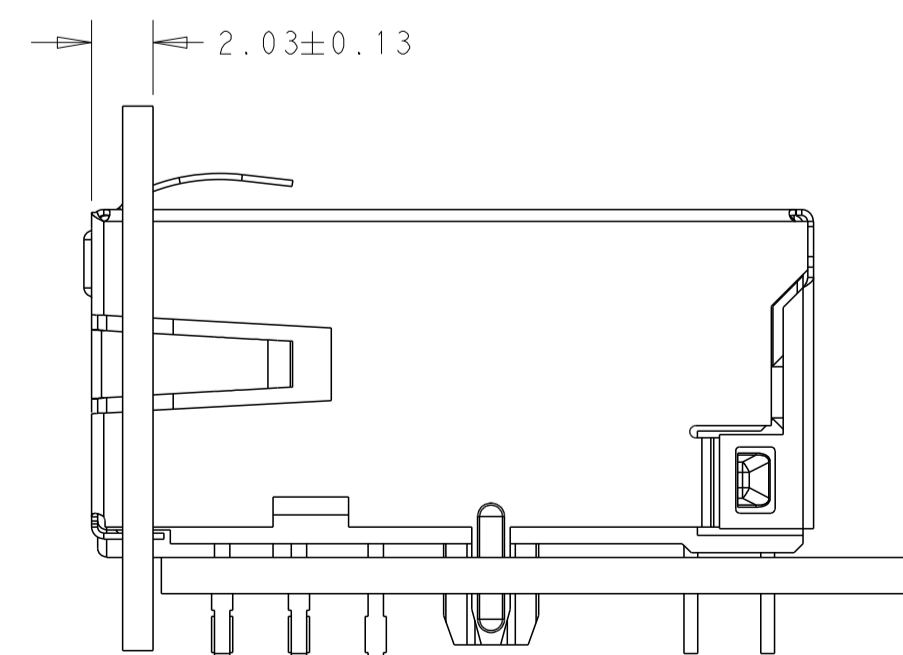
△ PART SHOULD COMPLIANTS TO WAVE SOLDERING PROCESS, PREHEAT TEMPERATURE IS 120°C TO 160°C, 120 SECONDS TO 180 SECONDS, PEAK SOLDERING TEMPERATURE IS 260°C MAX, 10 SECONDS MAX

△ PART SHOULD COMPLIANTS TO IR REFLOW SOLDERING PROCESS, PEAK SOLDERING TEMPERATURE IS 260°C MAX DURATION TIME 10 SECONDS MAX, OVER 230°C WITHIN 40-60 SECONDS.

10, 2250419-1 SHOWN UNLESS OTHERWISE NOTED.

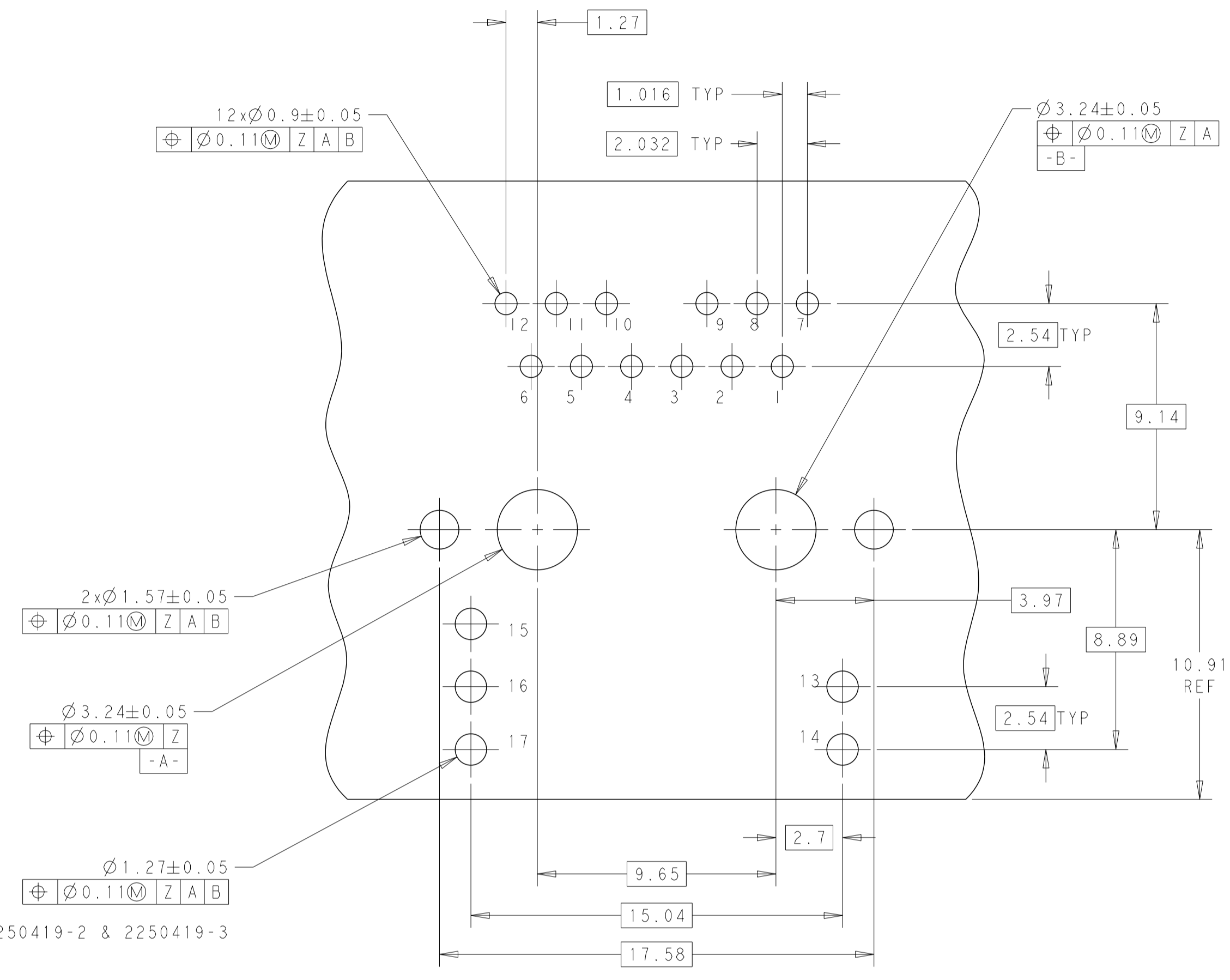


SUGGESTED PANEL CUTOUT



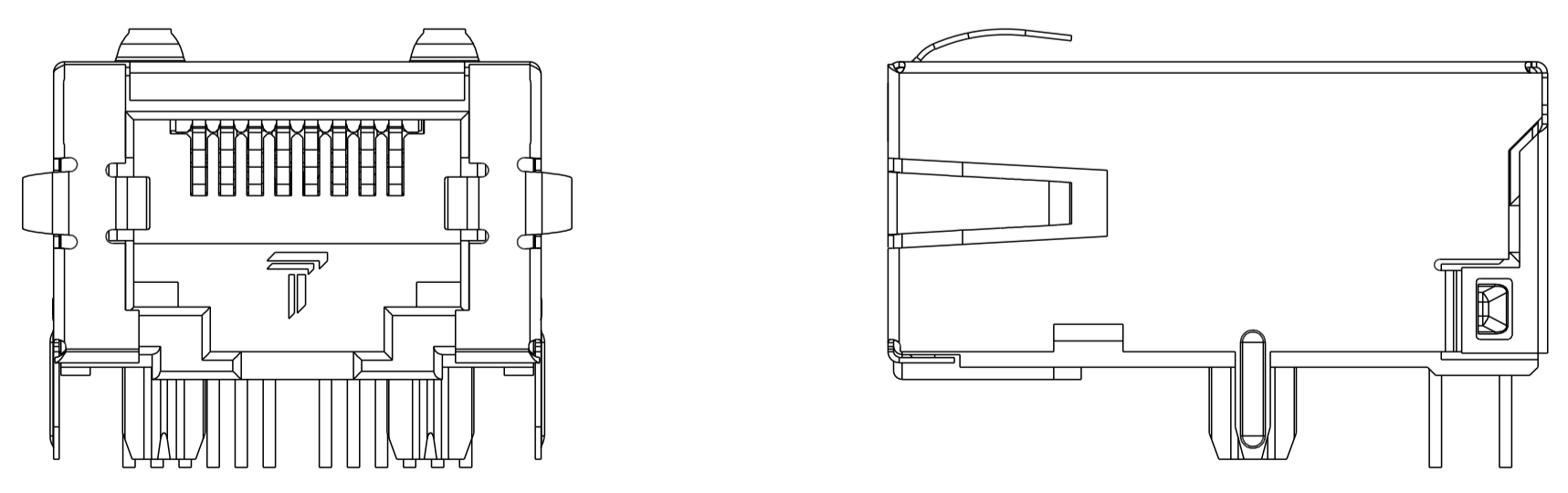
TAPE & REEL	REFLOW △9	-	-	-	2250419-3
TRAY	WAVE △8	-	-	-	2250419-2
TRAY	WAVE △8	YELLOW	GREEN	GREEN	2250419-1
PACKAGE METHOD	SOLDERING PROCESS	16 \rightarrow 15	16 \rightarrow 17	14 \rightarrow 13	PART NO.
		LED 1		LED 2	

THIS DRAWING IS A CONTROLLED DOCUMENT AND COMPLIANT TO ASME Y14.5M		OWN TOWER YU / 08 JUN 2016	DESC	trp CONNECTOR a bel group DONGGUAN CHINA
DIMENSIONS: mm		CHK BILL FRANK LIU / 08 JUN 2016	MODEL NAME	
TOLERANCES UNLESS OTHERWISE SPECIFIED:		APVD TONY YIJIAN / 08 JUN 2016	SIZE	IX1 5G 8HT01 TAB DOWN LOW PROFILE W/ LED C=2250419
0 PLC \pm 0.25 1 PLC \pm 0.25 2 PLC \pm 0.25 3 PLC \pm 4 PLC \pm ANGLES \pm APPLICATION SPEC \pm		PRODUCT SPEC	DRAWING NO	
108-104004		CUSTOMER DRAWING	SCALE	RESTRICTED TO
			4:1	SHEET 1 OF 3
				REV 3



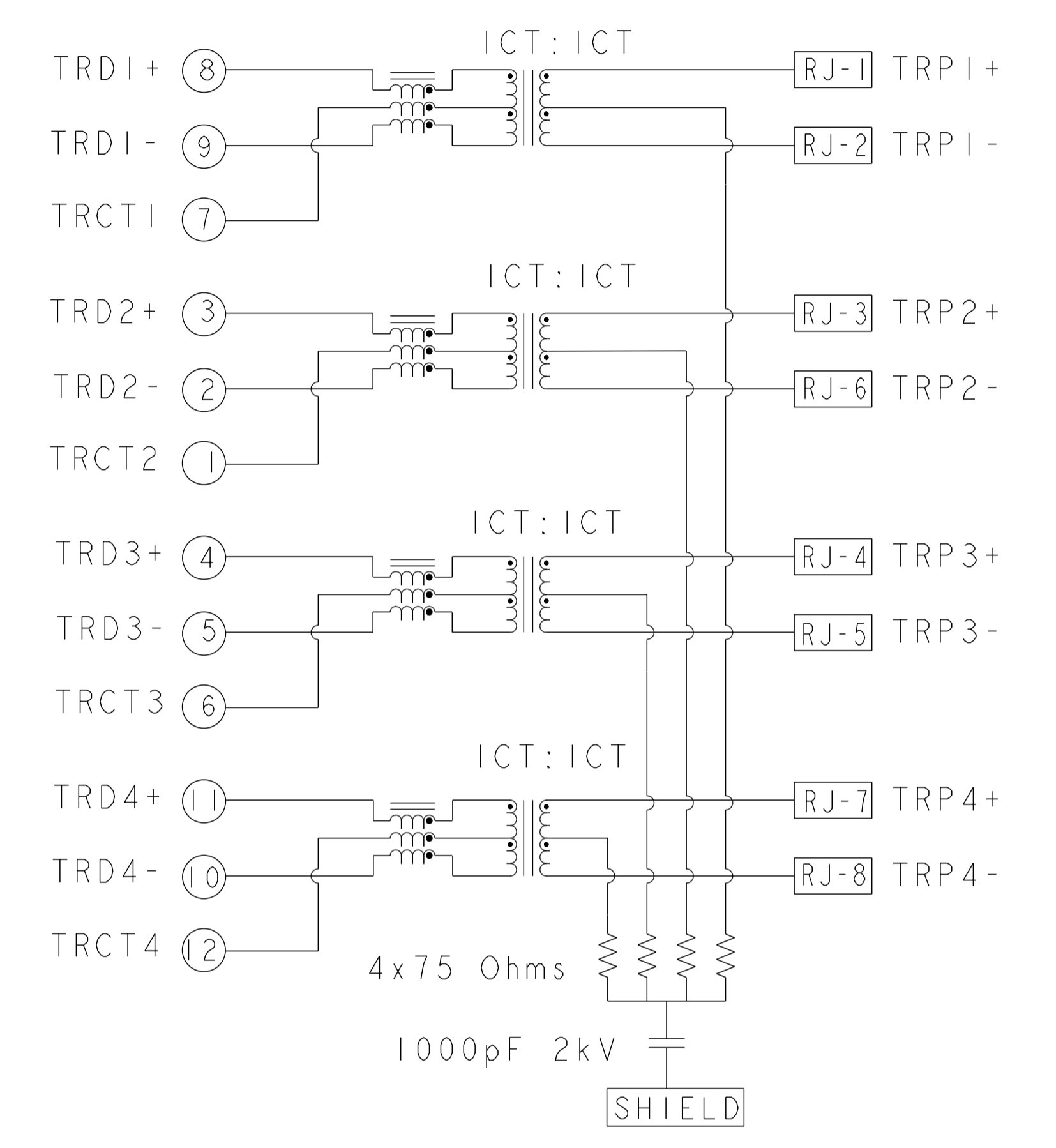
OPTIONAL: NONE FOR 2250419-2 & 2250419-3

SUGGESTED PCB LAYOUT
 (COMPONENT SIDE)



2250419-2
 2250419-3

8HT01 5G CIRCUIT



THIS DRAWING IS A CONTROLLED DOCUMENT. AND COMPLIANT TO ASME Y14.5M		DWN TOWER YU / 08 JUN 2016 CHK BILL FRANK LIU / 08 JUN 2016 APVD TONY YIJIAN / 08 JUN 2016	DONGGUAN CHINA
DIMENSIONS: mm TOLERANCES UNLESS OTHERWISE SPECIFIED: 0 PLC ±0.25 1 PLC ±0.25 2 PLC ±0.25 3 PLC ± 4 PLC ± ANGLES ± APPLICATION SPEC ±	MODEL NAME: MAGJACK SINGLE NON-POE	DESC: 1X1 5G 8HT01 TAB DOWN LOW PROFILE W/ LED SIZE: A1 CAGE CODE: C=2250419 DRAWING NO:	
PRODUCT SPEC: 108-104004	CUSTOMER DRAWING	SCALE: 4:1	SHEET: 2 OF 3 REV: 3

2250419_C				STOCK DISPOSITION				
REVISION HISTORY				A: CONTINUE AS IS D: USE OLD FIRST B: REWORK E: PARTS TO CONFORM C: SCRAP F: OTHER				
DATE	REV	CHANGES	REASON	APPROVAL	INVENTORY (A,B,C,D,E,F)	WORK IN PROCESS (A,B,C,F)	SUPPLIER ORDERS (A,E,F)	OPEN CUST ORDERS (A,E,F)
08JUN2016	1	CROSS ES15013	INITIAL RELEASE	TY	-	-	-	-
27SEP2021	2	ADD DASH NUMBER 2250419-2 (REMOVE LEDS)	MARKETING REQUEST	TY	-	-	-	-
09NOV2021	3	ADD DASH NUMBER 2250419-3 (REFLOW PROCESS)	MARKETING REQUEST	TY	-	-	-	-

THIS DRAWING IS A CONTROLLED DOCUMENT. AND COMPLIANT TO ASME Y14.5M		OWN TOWER YU / 08 JUN2016	DESC IX1 5G 8HT01 TAB DOWN LOW PROFILE W/ LED
DIMENSIONS: mm		CHK BILL 08 JUN2016	RESTRICTED TO
TOLERANCES UNLESS OTHERWISE SPECIFIED: 0 PLC ±0.25 1 PLC ±0.25 2 PLC ±0.25 3 PLC ± 4 PLC ±		APP'D TONY YIJIAN 08 JUN2016	SCALE 4:1 SHEET 3 OF 3 REV 3
PRODUCT SPEC 108-104004		MODEL NAME MAGJACK	SIZE CAGE CODE DRAWING NO A1 C=2250419
ANGLES APPLICATION SPEC		CUSTOMER DRAWING	

