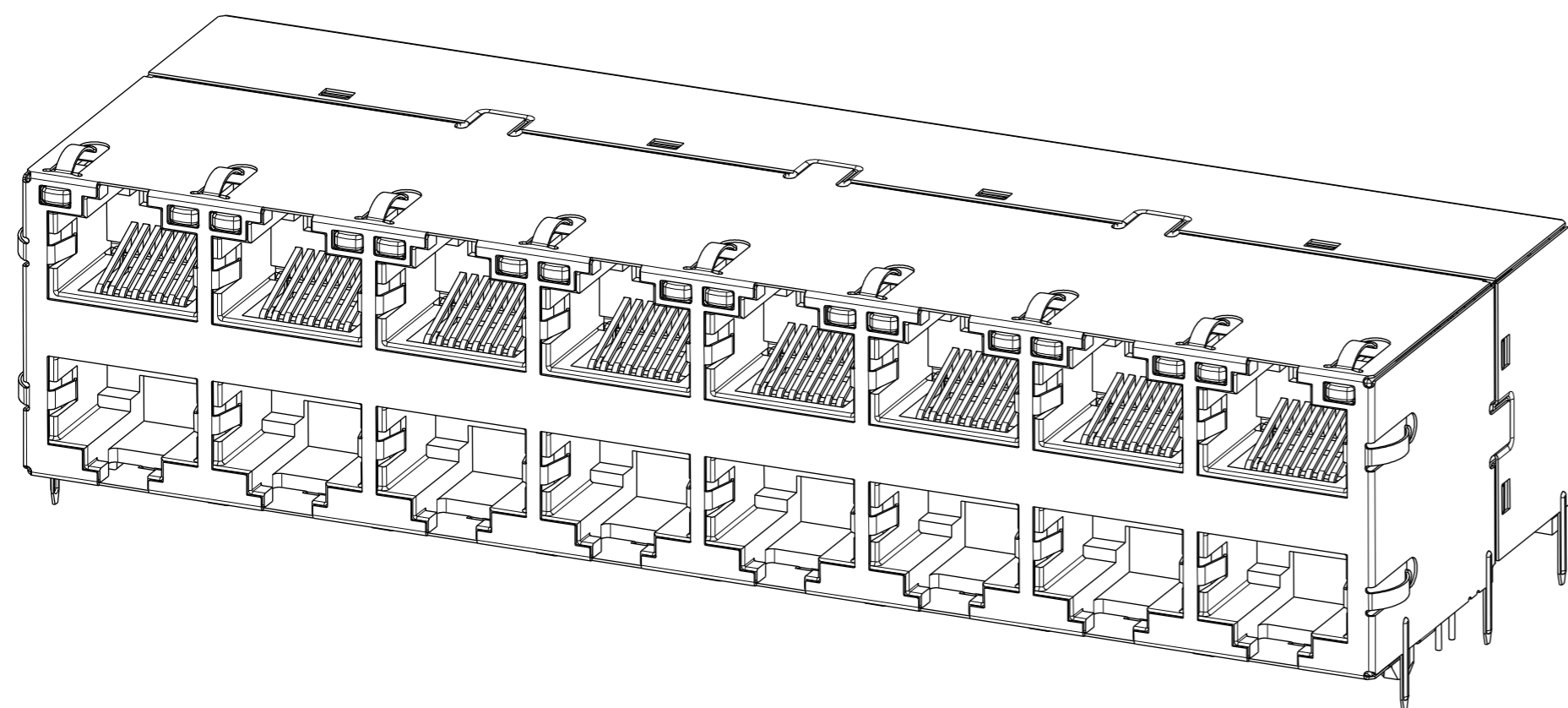


THIS DRAWING AND THE SUBJECT MATTER SHOWN THEREON ARE CONFIDENTIAL AND THE PROPERTY OF BEL/STEWART/TRP CONNECTOR AND SHALL NOT BE REPRODUCED, COPIED, OR USED IN ANY MANNER WITHOUT THE WRITTEN CONSENT OF TRP CONNECTOR.

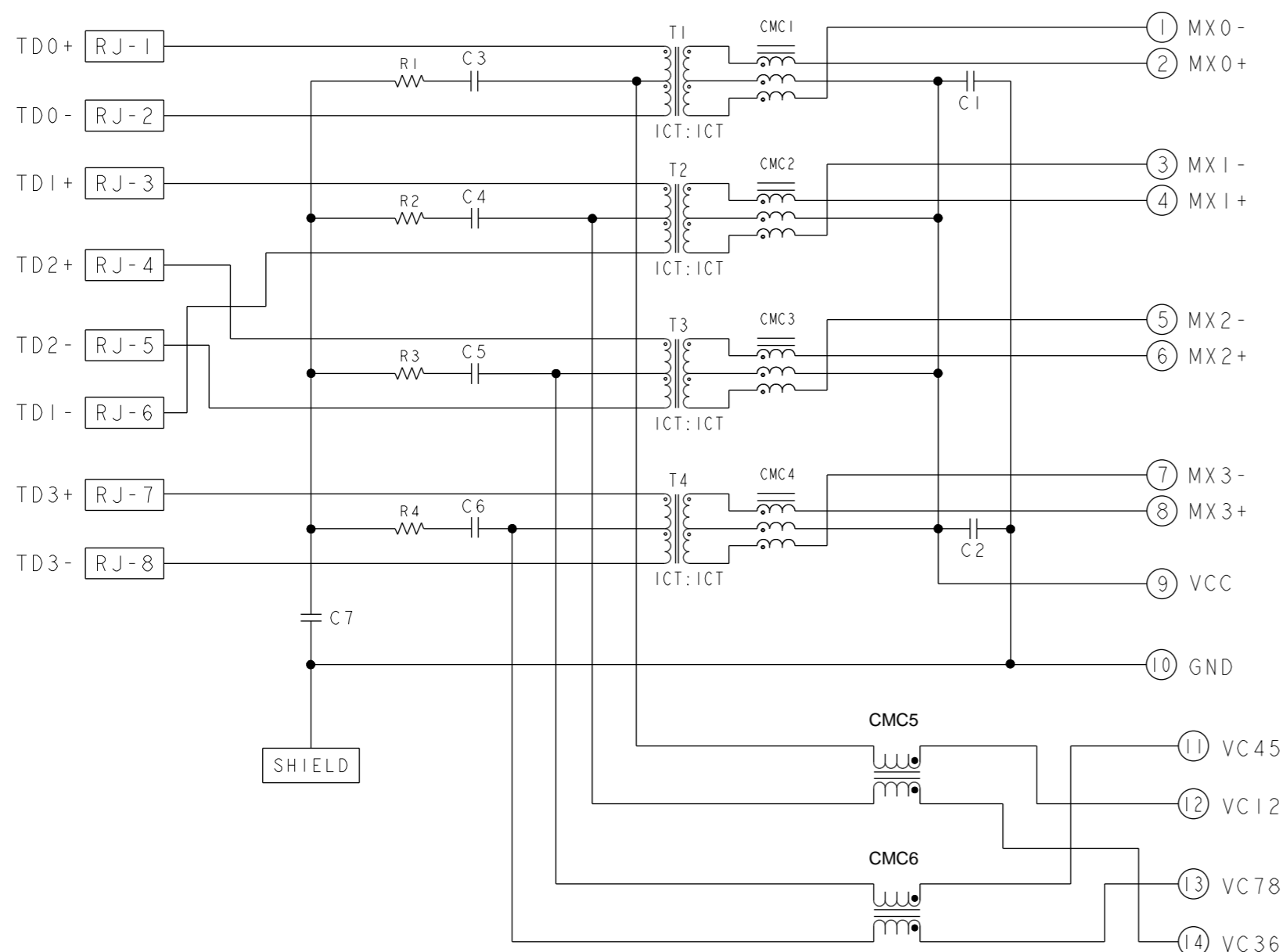
PRODUCT MAY BE PROTECTED BY ONE OR MORE OF THE FOLLOWING US PATENTS:
 5736910 5939955 6425781 6428361 6554638 6840817 7123117
 7429195 7717749 7808751 6217391 6149050 7924130

REVISIONS				
P	LYR	DESCRIPTION	DATE	OWN APVD
3		SEE FINAL SHEET	03FEB2021	RL TY



S9UQG02 2.5G 4PPOE CIRCUIT $\Delta\Delta$

TOP AND BOTTOM PORTS

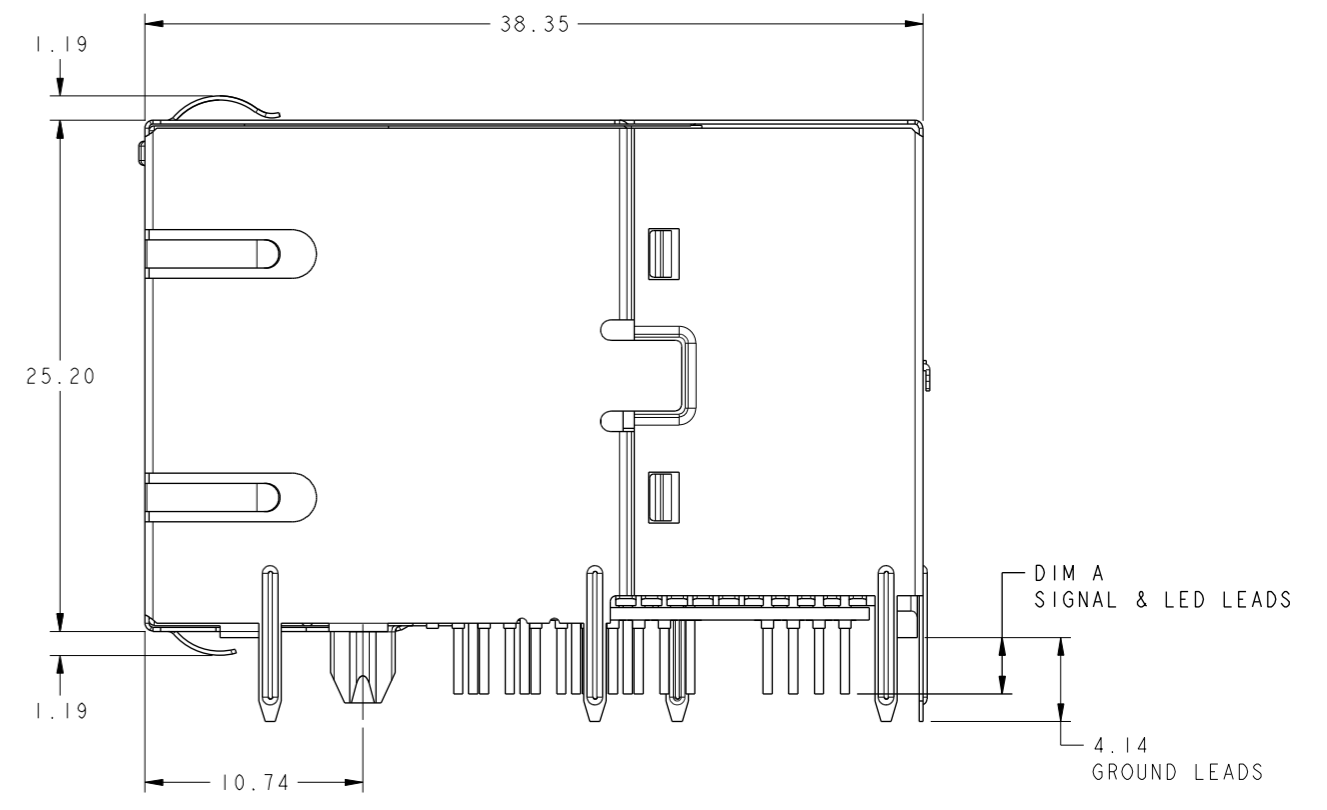
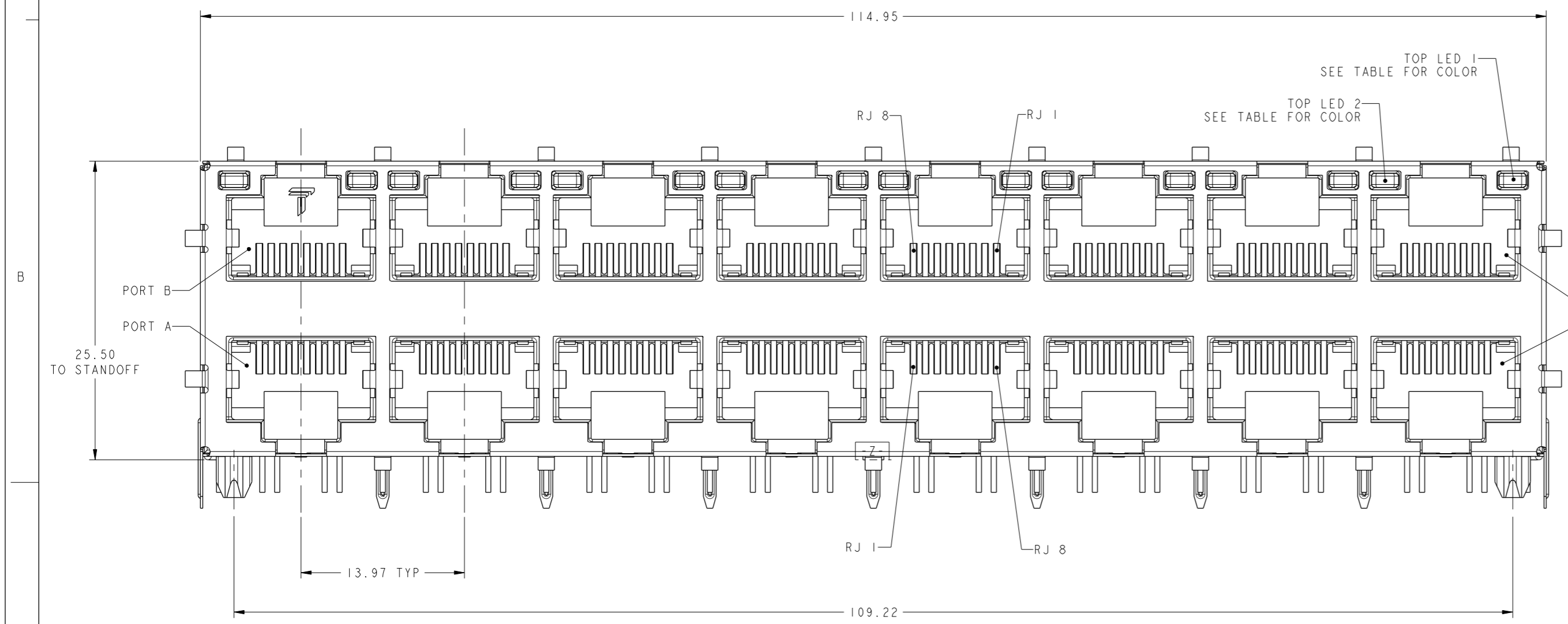
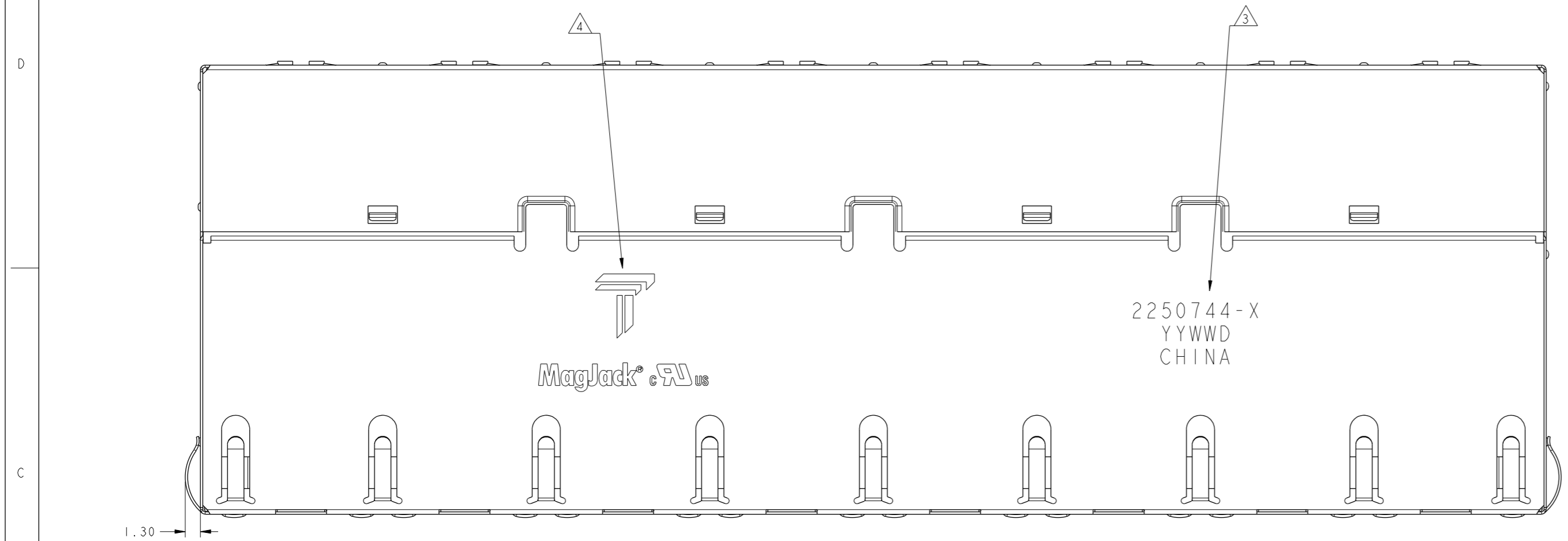


C1-C2 = 10nF, 50V, X7R, CAPACITORS
 C3-C6 = 22nF, 100V, CAPACITORS
 C7 = 1000pF, 2kV, CAPACITOR
 R1-R4 = 75 Ohms, 1/16W, RESISTORS

1. MATERIALS:
 PLASTIC HOUSING: BLACK, THERMOPLASTIC FLAMMABILITY RATING UL 94V-0
 SHIELD: BRASS, PREPLATED WITH 0.76um MIN SEMI-BRIGHT NICKEL,
 POST DIPPED WITH 2.54um MIN SAC SOLDER OR PURE TIN SOLDER DIP
 ON SOLDER TAILS,
 CONTACTS: PHOSPHOR BRONZE, 1.27um MIN OVERALL NICKEL
 UNDERPLATE WITH SELECT 1.27um MIN GOLD AT MATING INTERFACE AND
 2.54um MIN MATTE TIN ON SOLDER TAILS.
 LED: DIFFUSED EPOXY LENS, CARBON STEEL LEAD FRAME TAILS OF LED
 ARE PREPLATED WITH 2.03um MIN SILVER OVER 1.02um MIN NICKEL
 UNDERPLATE OVER 1.02um MIN COPPER UNDERPLATE. POST-PLATED WITH
 2.54um MIN MATTE TIN AND/OR SAC SOLDER DIP OR PURE TIN SOLDER DIP
2. MAGNETICS
 APPLICATION: 2.5G BASE-T, 4PPOE
 IMPEDANCE: 100 OHMS
 TURNS RATIO (CHIP:CABLE): 1:1 \pm 2% ALL FOUR PAIRS
 OPEN CIRCUIT INDUCTANCE (OCL):
 ALL CHANNELS 180uH MIN @ 100KHz, 0.1 VRMS WITH 8mA DC BIAS FROM 0°C TO 70°C,
 120uH MIN @ 100KHz, 0.1 VRMS WITH 23mA DC BIAS FROM 0°C TO 70°C
 ALL FOUR PAIRS BI-DIRECTIONAL
 POE CURRENT: 1A DC MAX
 PERFORMANCE @ 25°C:
 INSERTION LOSS (IL): 0.004*(f) + 0.5 MAX FROM 1MHz TO 125MHz
 RETURN LOSS (RL): 18dB MIN FROM 1MHz TO 40MHz
 18 - 15LOG10(f/40)dB MIN FROM 40MHz TO 125MHz
 CROSSTALK ATTENUATION: 35dB MIN FROM 1MHz TO 40MHz
 35 - 15LOG10(f/40)dB MIN FROM 40MHz TO 125MHz
 COMMON MODE REJECTION: 25dB MIN FROM 1MHz TO 125MHz
 ISOLATION VOLTAGE: 2250VDC(MAX) FOR 60 SECONDS WITH A RISE TIME OF
 500V/SEC AND WITH ALL PORTS CONNECTED.
3. PART NUMBER, DATE CODE AND COUNTRY OF ORIGIN ARE
 LOCATED IN APPROXIMATE AREA SHOWN.
 DATE CODE: YYWW WHERE "YY" IS YEAR, "WW" IS WORK WEEK, "D" IS DAY
 OF WEEK, WITH SUNDAY = 1
4. TRP CONNECTOR LOGO AND AGENCY APPROVAL LOGO ARE
 LOCATED IN APPROXIMATE AREA SHOWN.
5. OPERATING TEMP: FROM 0°C TO 70°C.
6. RJ45 CAVITY CONFORMS TO FCC RULES AND REGULATION PART 68 SUBPART F.
7. INDICATED MAGNETIC CONNECTIONS ARE SYMMETRICAL AND
 SUPPORT AUTO-MDI/MDIX.
8. DATUM AND BASIC DIMENSION ESTABLISHED BY CUSTOMER.
9. BASIC DIMENSION ESTABLISHED BY CUSTOMER, BUT MAY NOT BE
 GREATER THAN 5.08mm.
10. LEDS ARE DRIVEN WITH CONSTANT CURRENT AT APPROX 20mA
 LED COLOR: DOMINANT WAVELENGTH (λ D): GREEN 568 nm TYP. @ IF=20mA
 FORWARD VOLTAGE (VF): GREEN 2.2V TYP. @ IF=20mA
 DOMINANT WAVELENGTH (λ D): ORANGE 605 nm TYP. @ IF=20mA
 FORWARD VOLTAGE (VF): ORANGE 2.1V TYP. @ IF=20mA
11. THE PARTS ARE RECOMMENDED FOR WAVE SOLDERING PROCESS,
 PEAK TEMPERATURE 260°C MAX, 10 SECONDS MAX.

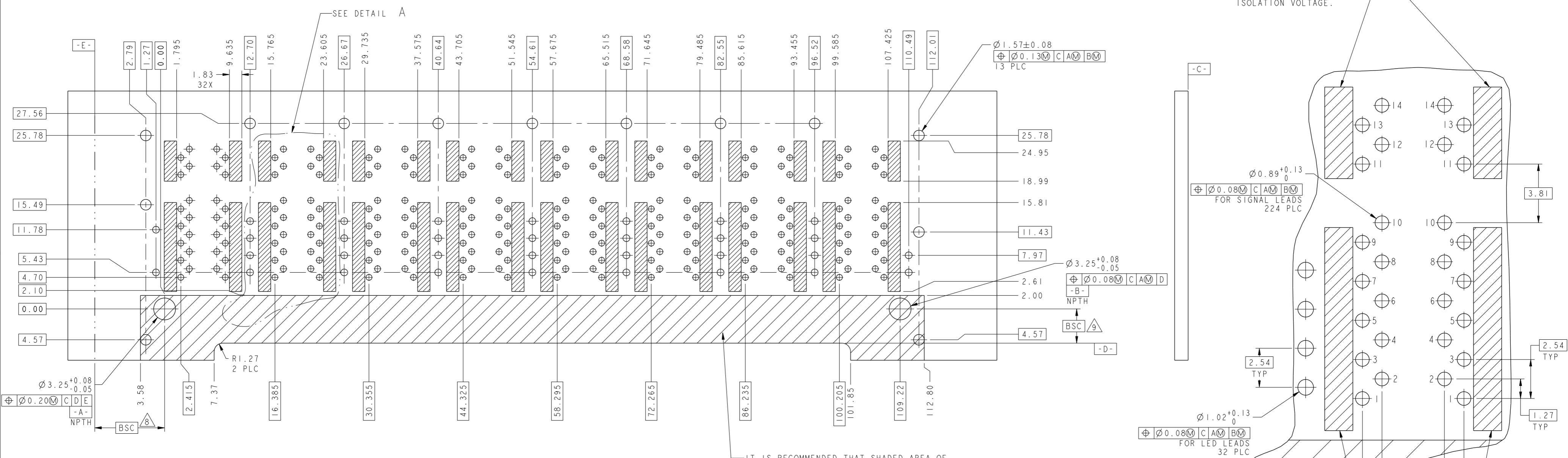
2.79	GREEN/ORANGE	GREEN/ORANGE	2250744-1
DIM A	TOP LED 2	TOP LED 1	PART NUMBER

THIS DRAWING IS A CONTROLLED DOCUMENT, AND COMPLIANT TO ASME Y14.5M		OWN RICK LI 26 JAN 2021	 DONGGUAN CHINA
DIMENSIONS: mm		CHK BILL LIU 26 JAN 2021	
TOLERANCES UNLESS OTHERWISE SPECIFIED:		APPV TONY YUAN 26 JAN 2021	
0 PLC \pm 0.25 1 PLC \pm 0.25 2 PLC \pm 0.25 3 PLC \pm 4 PLC \pm ANGLES APPLICATION SPEC		MODEL NAME MAGJACK STACK 4PPOE	
PRODUCT SPEC 108-104017	APPLICATION SPEC	DESC 2X8 S9UQG02 2.5G 4PPOE CIRCUIT, W/ TOP LED, 100W	RESTRICTED TO
CUSTOMER DRAWING		SCALE NTS	SHEET 1 OF 5
		REV 3	

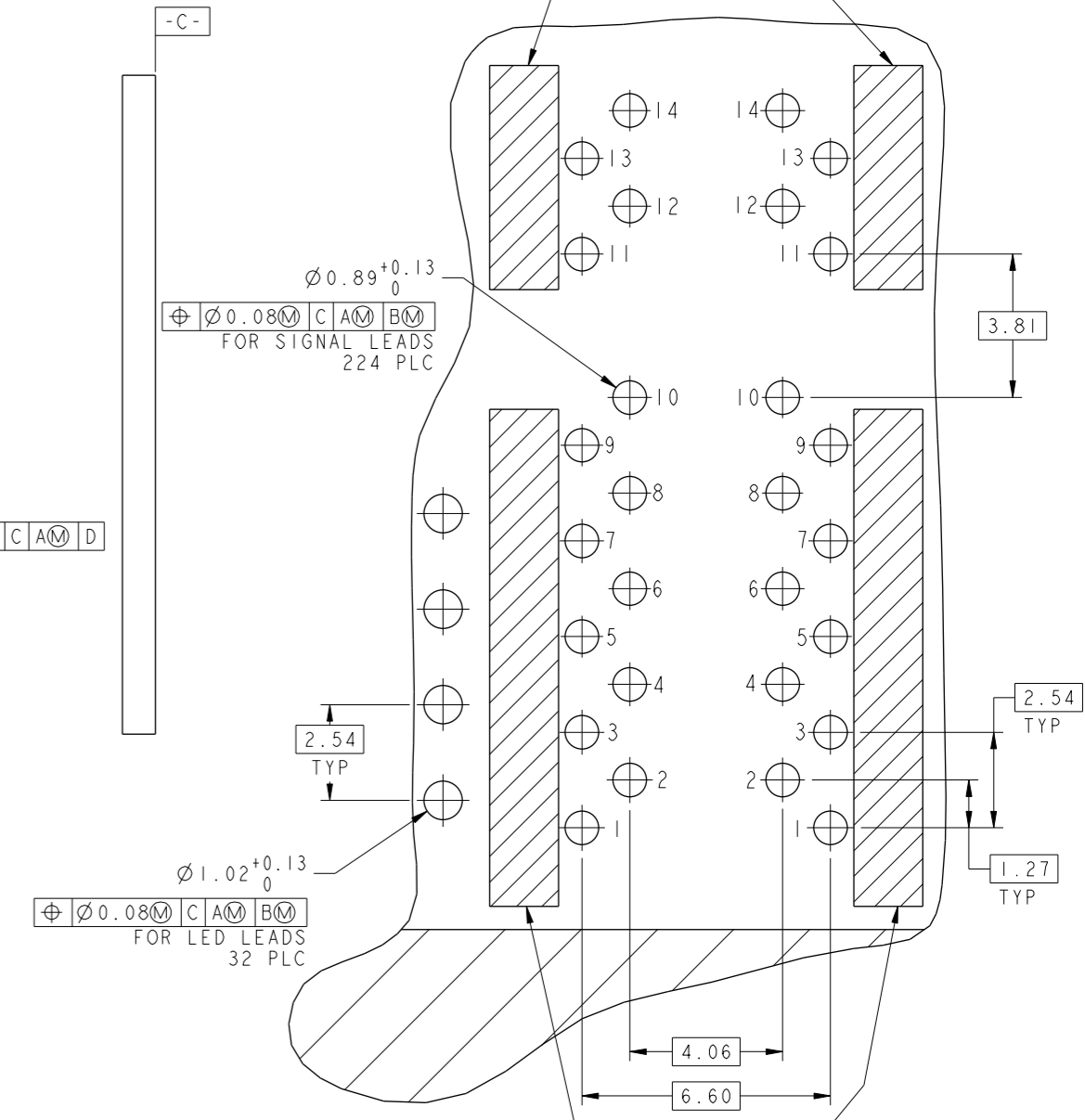


THIS DRAWING IS A CONTROLLED DOCUMENT AND COMPLIANT TO ASME Y14.5M		DNW: RICK LI 26 JAN 2021	 trp CONNECTOR a bel group DONGGUAN CHINA
DIMENSIONS: mm		CHK: BILL LIU 26 JAN 2021	
TOLERANCES UNLESS OTHERWISE SPECIFIED:		APPD: TONY YUAN 26 JAN 2021	DESC: 2X8 S9U0G02 2.5G 4PPoE CIRCUIT, W/ TOP LED, 100W
0 PLC ±0.25	1 PLC ±0.25	MODEL NAME: MAGJACK STACK 4PPoE	SIZE: A1
2 PLC ±0.25	3 PLC ±	APPLICATION SPEC: -	SCALE: NTS
4 PLC ±	ANGLES ±	PRODUCT SPEC: 108-104017	SHEET: 2 OF 5
		CUSTOMER DRAWING	REV: 3

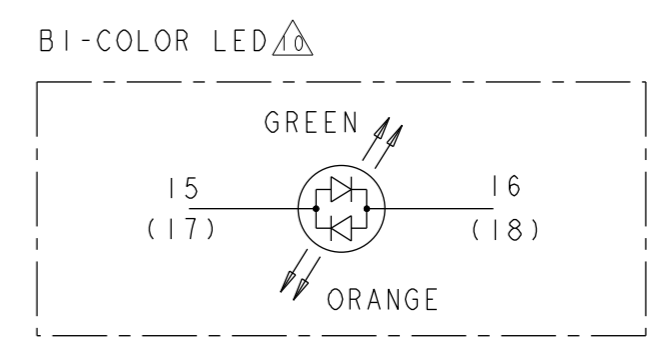
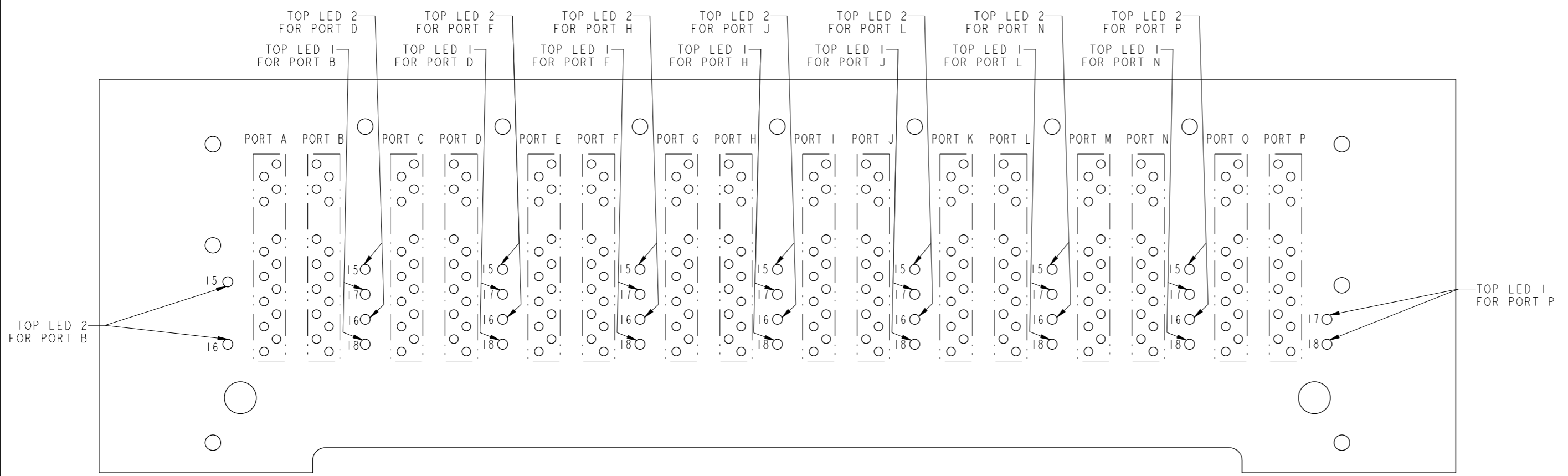
POE STUB PINS AREA, IT IS RECOMMENDED THAT ANY VIA HOLES, TRACES WHICH HAVE EQUAL POTENTIAL AS THE PHY SIDE SIGNALS OR GROUND SHOULD HAVE ENOUGH CLEARANCE FROM THE SHADED AREA FOR ISOLATION VOLTAGE.



IT IS RECOMMENDED THAT SHADED AREA OF CUSTOMER PC BOARD BE CLEAR OF ANY VIA HOLE, COMPONENT AND CIRCUIT TRACE.



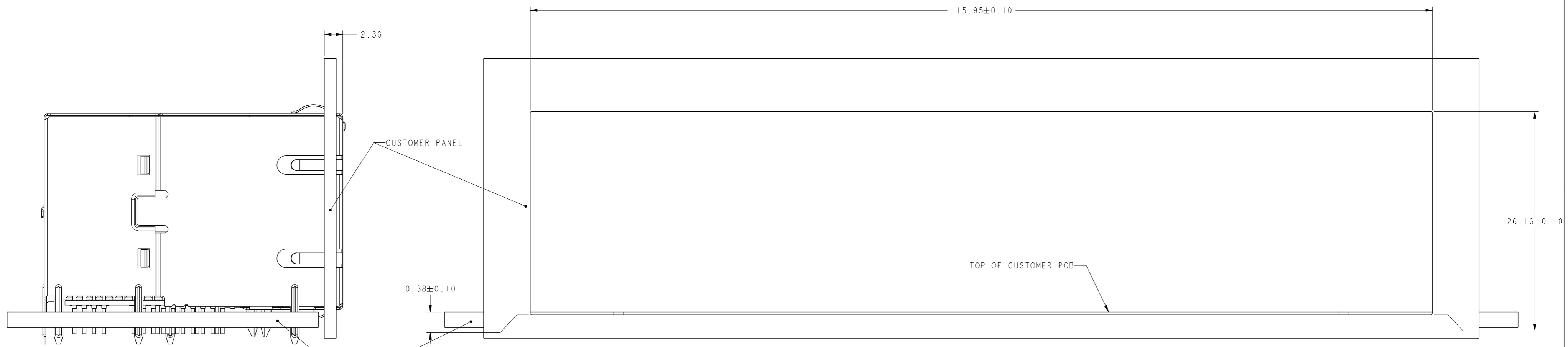
DETAIL A SCALE 8:1



THIS DRAWING IS A CONTROLLED DOCUMENT AND COMPLIANT TO ASME Y14.5M		DNW: RICK LI 26 JAN 2021	 trp CONNECTOR a bel group DONGGUAN CHINA
DIMENSIONS: mm		CHK: BILL LIU 26 JAN 2021	
TOLERANCES UNLESS OTHERWISE SPECIFIED:		APPV: TONY YUAN 26 JAN 2021	DESC: 2X8 S9UQG02 2.5G 4PPoE CIRCUIT, W/ TOP LED, 100W
0 PLC ±0.25 1 PLC ±0.25 2 PLC ±0.25 3 PLC ± 4 PLC ± ANGLES ± APPLICATION SPEC ±	PRODUCT SPEC 108-104017	MODEL NAME: MAGJACK STACK 4PPoE	SIZE: A1 CAGE CODE: 2250744 DRAWING NO: C=2250744
CUSTOMER DRAWING		SCALE: NTS	SHEET 3 OF 5 REV 3

D
C
B
A

D
C
B
A


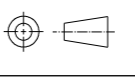


SHOWN WITH PANEL AND CUSTOMER PCB ASSEMBLY

SUGGESTED PANEL CUTOUT DIMENSIONS

THIS DRAWING IS A CONTROLLED DOCUMENT AND COMPLIANT TO ASME Y14.5M		DWN: RICK LI 26 JAN 2021 CHK: BILL LIU 26 JAN 2021 APPR: TONY YUAN 26 JAN 2021	trp CONNECTOR a bel group DONGGUAN CHINA
DIMENSIONS: mm	TOLERANCES UNLESS OTHERWISE SPECIFIED: 0 PLC ±0.25 1 PLC ±0.25 2 PLC ±0.25 3 PLC ± 4 PLC ± ANGLES ± APPLICATION SPEC -	MODEL NAME: MAGJACK STACK 4PPoE DESC: 2X8 S9U0G02 2.5G 4PPoE CIRCUIT, W/ TOP LED, 100W	
PRODUCT SPEC: 108-104017	APPLICATION SPEC: -	SIZE: A1 CAGE CODE: C=2250744 DRAWING NO: CUSTOMER DRAWING	RESTRICTED TO: SCALE: NTS SHEET: 4 OF 5 REV: 3

2250744					STOCK DISPOSITION			
2X8 S9UQG02 2.5G 4PPOE CIRCUIT, W/ TOP LED, 100W					A: CONTINUE AS IS		D: USE OLD FIRST	
					B: REWORK		E: PARTS TO CONFORM	
					C: SCRAP		F: OTHER	
REVISION HISTORY								
DATE	REV	CHANGES	REASON	APPROVAL	INVENTORY (A,B,C,D,E,F)	WORK IN PROCESS (A,B,C,F)	SUPPLIER ORDERS (A,E,F)	OPEN CUST ORDERS (A,E,F)
26JAN2021	1	-	INITIAL RELEASE	TY	-	-	-	-
29JAN2021	2	REMOVED BOTTOM LEDS	CUSTOMER REQUEST	TY	-	-	-	-
03FEB2021	3	SHEET 1: NOTE 2, ADD "±2%" TO TURNS RATIO; ADD "100W" IN TITLE BLOCK DESC IN EACH SHEET.	CUSTOMER REQUEST	TY	-	-	-	-

THIS DRAWING IS A CONTROLLED DOCUMENT. AND COMPLIANT TO ASME Y14.5M		DNW RICK LI 26JAN2021	 TRP CONNECTOR a bel group DONGGUAN CHINA
DIMENSIONS: mm		CHK BILL LIU 26JAN2021	
TOLERANCES UNLESS OTHERWISE SPECIFIED: 0 PLC ±0.25 1 PLC ±0.25 2 PLC ±0.25 3 PLC ± 4 PLC ± ANGLES ± APPLICATION SPEC -		APPD TONY YUAN 26JAN2021	
 PRODUCT SPEC 108-104017	MODEL NAME MAGJACK STACK 4PPOE	DESC 2X8 S9UQG02 2.5G 4PPOE CIRCUIT, W/ TOP LED, 100W	SIZE A1 CAGE CODE C=2250744 DRAWING NO RESTRICTED TO
CUSTOMER DRAWING		SCALE NTS	SHEET 5 OF 5 REV 3