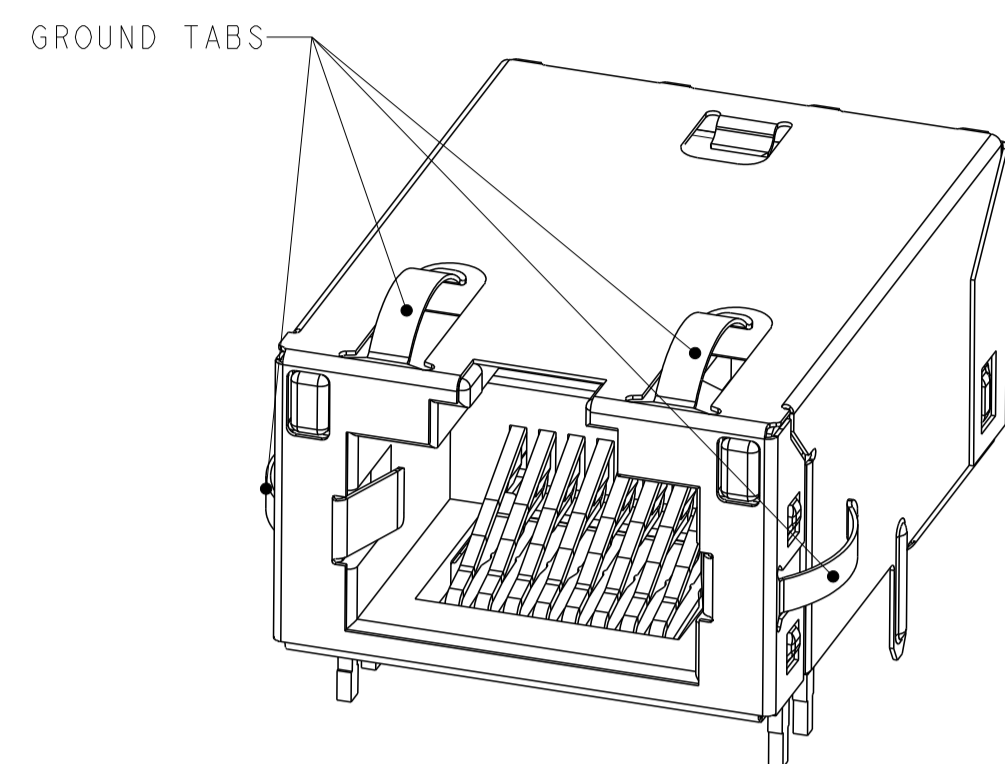
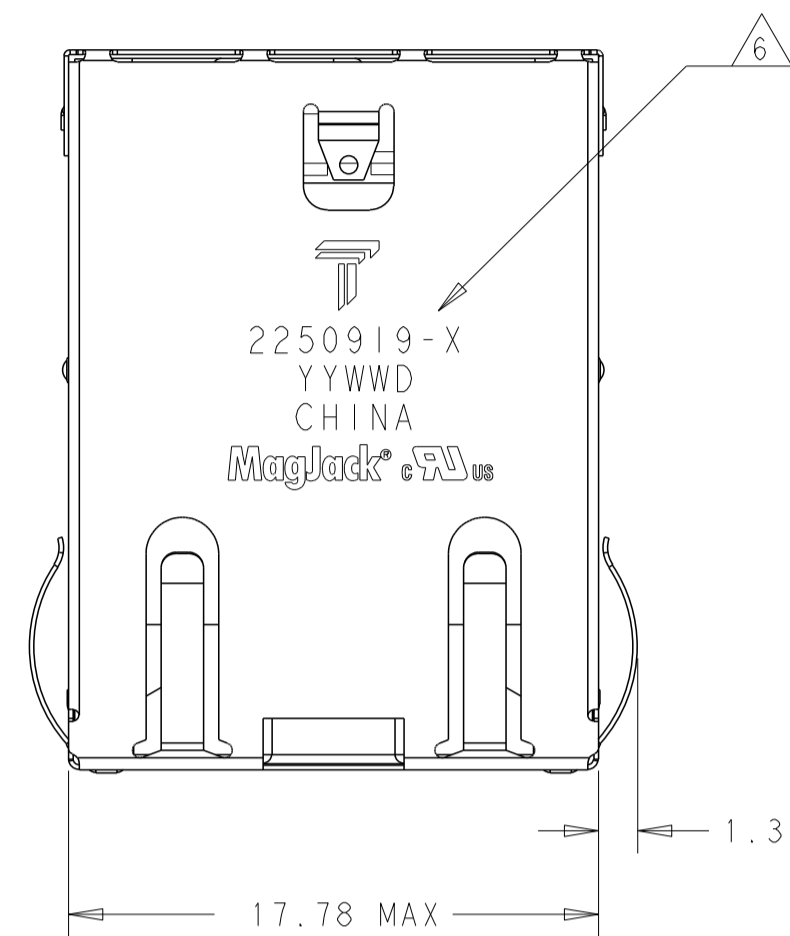


THIS DRAWING AND THE SUBJECT MATTER SHOWN THEREON ARE CONFIDENTIAL AND THE PROPERTY OF BEL/STEWART/TRP CONNECTOR AND SHALL NOT BE REPRODUCED, COPIED, OR USED IN ANY MANNER WITHOUT THE WRITTEN CONSENT OF TRP CONNECTOR.

PRODUCT MAY BE PROTECTED BY ONE OR MORE OF THE FOLLOWING US PATENTS:
 5736910 5939955 6425781 6428361 6554638 6840817 7123117
 7429195 7717749 7808751 6217391 6149050 7924130

REVISIONS				
#	DATE	DESCRIPTION	DATE	APPV
1	16 JUL 2024	INITIAL RELEASE	JY	TY



- MATERIALS:**
- HOUSING: THERMOPLASTIC FLAMMABILITY, RATING, UL 94V-0
 - SHIELD: STAINLESS STEEL 0.15mm THICK, PREPLATED WITH 0.76 μ m MIN SEMI-BRIGHT NICKEL; SOLDER TABS POST PREPLATED WITH 3 μ m TIN.
 - MOD JACK CONTACTS: 0.3mm THICK, PHOSPHOR BRONZE, 1.27 μ m MIN OVERALL NICKEL UNDERPLATE, WITH 1.27 μ m MIN LOCALIZED GOLD PLATE AT PLUG INTERFACE;
 - LIGHT EMITTING DIODE (LED): DIFFUSED EPOXY LENS, 0.5mm X 0.5mm CARBON STEEL WIREFRAME LEADS PREPLATED WITH 2.03 μ m MIN. SILVER PLATE OVER 1.02 μ m MIN. NICKEL OVER 1.02 μ m MIN. COPPER UNDERPLATE; LEADS POST-PLATED WITH 3.05 μ m MIN. MATTE TIN.

RJ45 JACK CAVITY CONFORMS TO FCC RULES AND REGULATIONS PART 68, SUB-PART F.

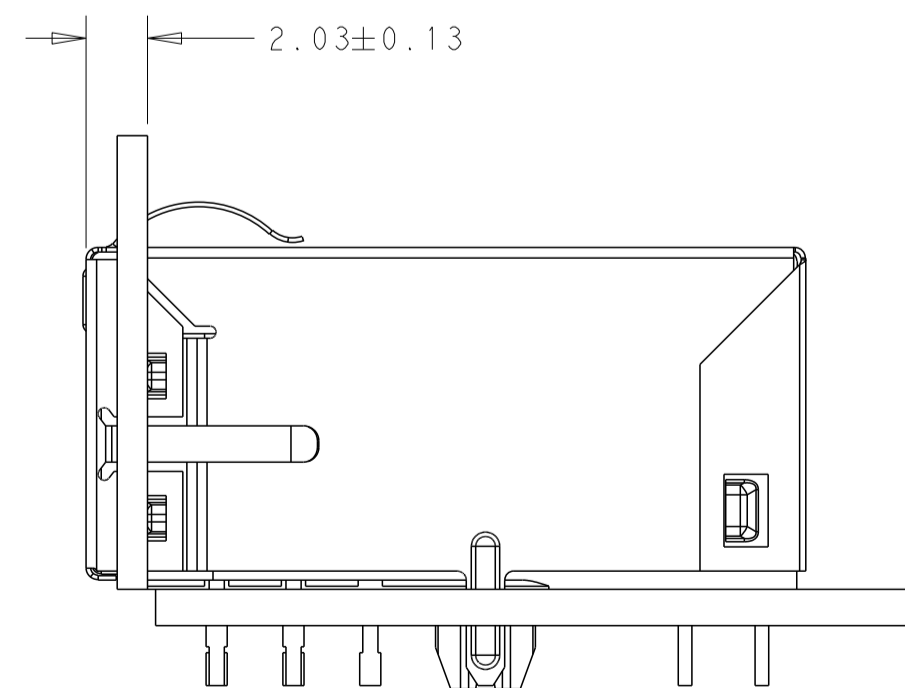
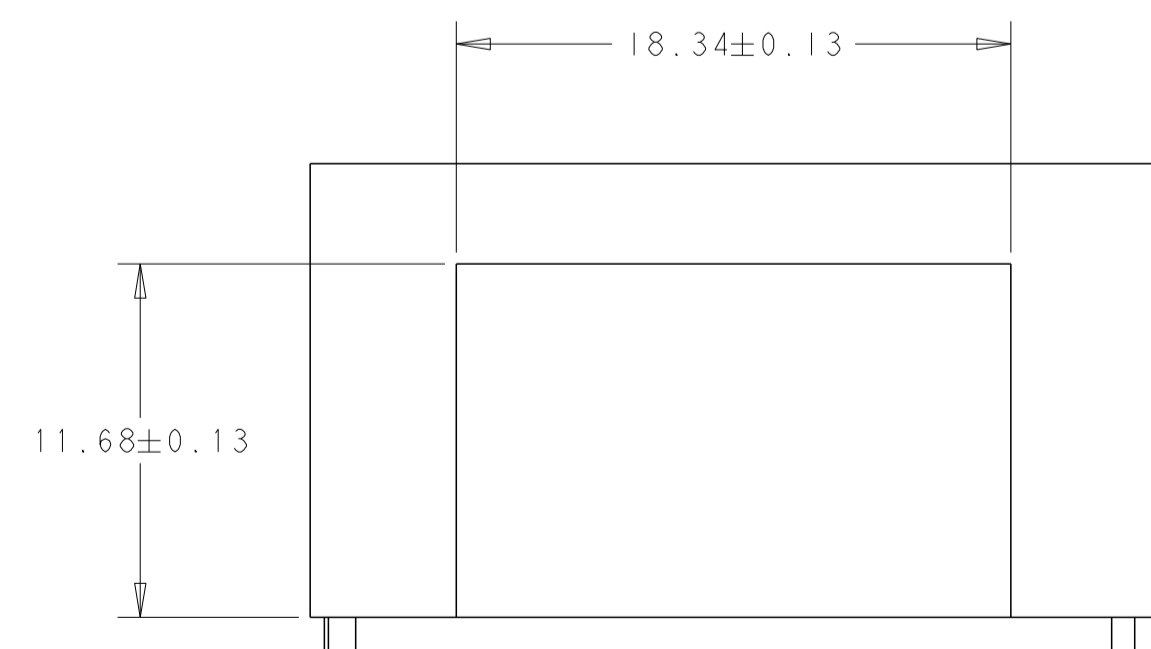
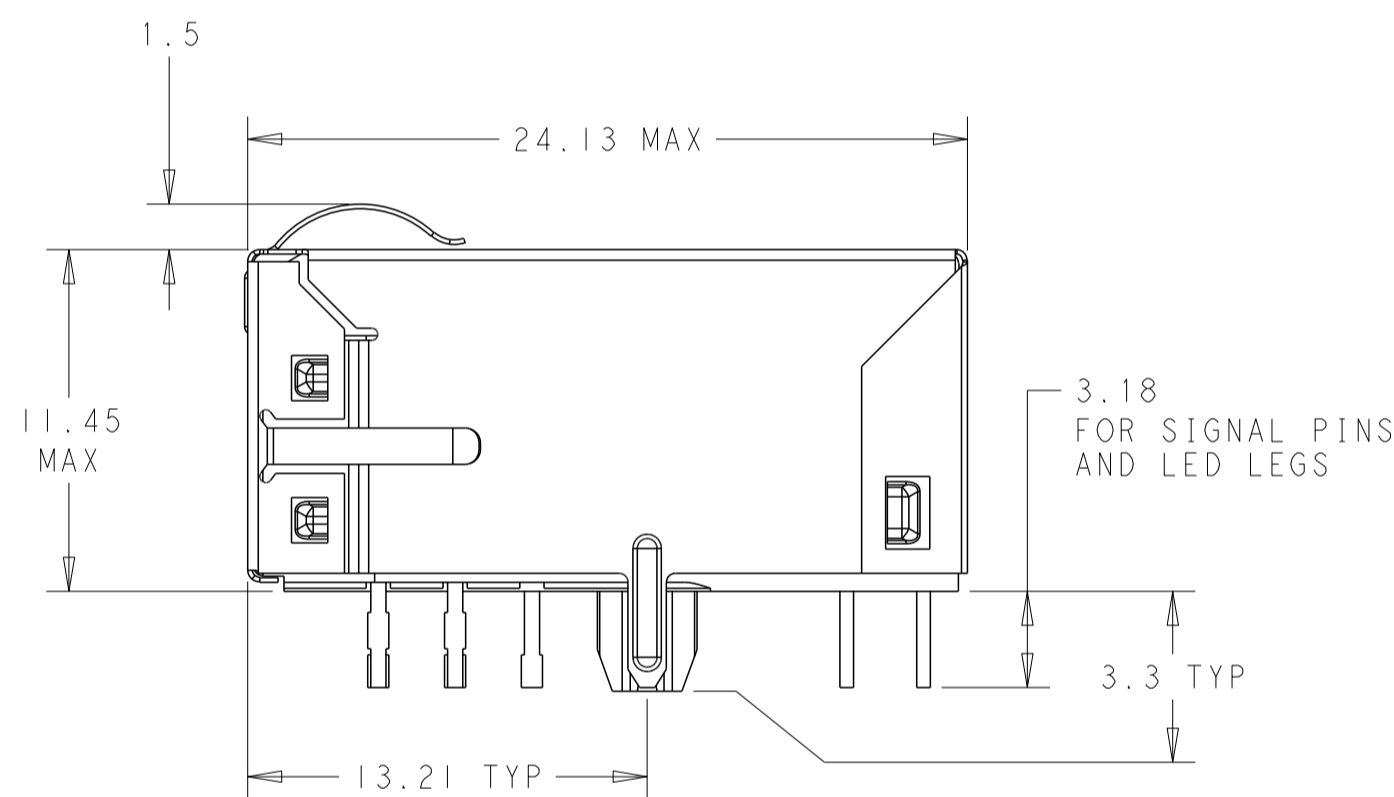
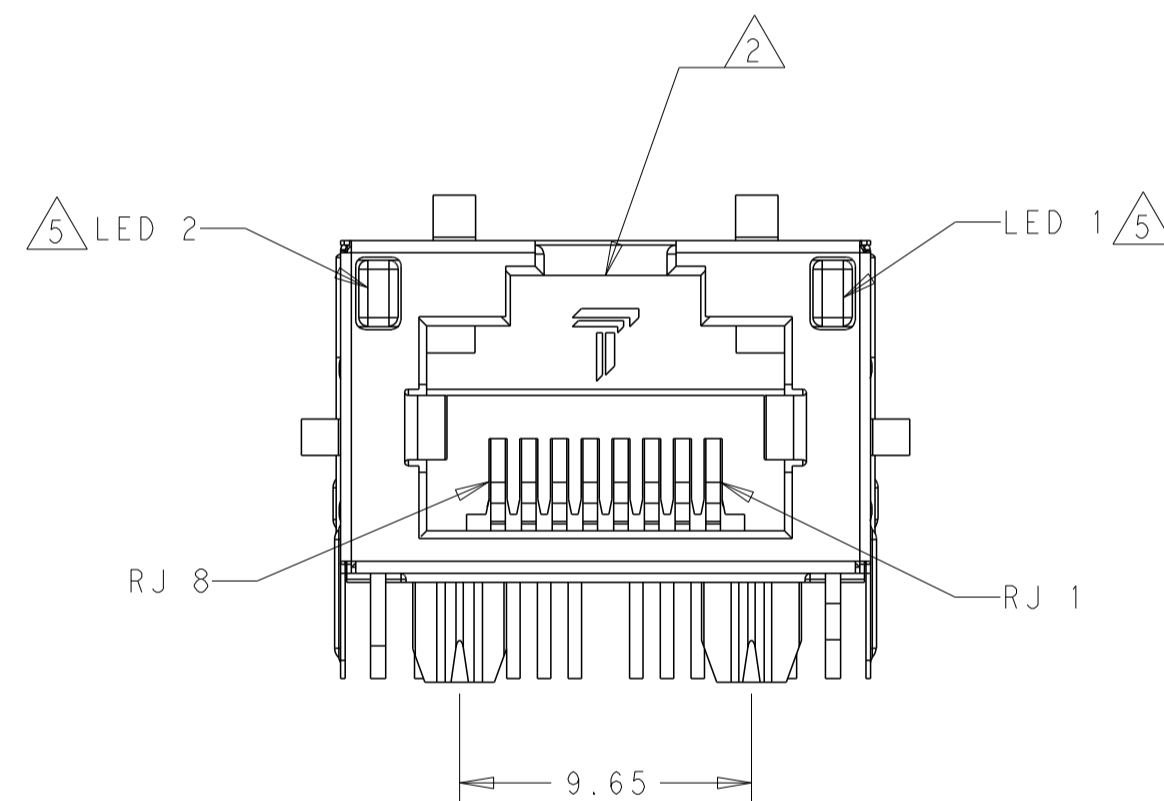
- MAGNETICS:**
- APPLICATION: 1G/10G BASE-T EXTENDED TEMPERATURE
 - IMPEDANCE: 100 OHMS
 - TURNS RATIO (CHIP:CABLE): 1:1 ALL FOUR PAIRS
 - OPEN CIRCUIT INDUCTANCE (OCL): 160 μ H MIN @100kHz, 0.1VRMS, 8mADC BIAS FROM -40°C TO 85°C, ALL FOUR PAIRS
 - ALL FOUR PAIRS BI-DIRECTIONAL
 - PERFORMANCE @ 25°C: PLEASE REFER TO SEPARATE SHEET
 - ISOLATION VOLTAGE: 2250 VDC FOR 60 SECONDS WITH A RISE TIME OF 500V/SEC

OPERATING TEMPERATURE: FROM -40°C TO 85°C

- LED IS WITH CONSTANT CURRENT AT APPROX 20mA.**
- LED COLOR: DONINANT WAVELENGTH(λ D), GREEN = 568 \pm 5nm TYP. at IF=20mA
 FORWARD VOLTAGE(VF), GREEN 2.2V TYP. at IF=20mA.
 - DONINANT WAVELENGTH(λ D), YELLOW = 588 \pm 5nm TYP. at IF=20mA
 FORWARD VOLTAGE(VF), YELLOW 2.1V TYP. at IF=20mA.

TRP CONNECTOR LOGO, PART NUMBER, DATE CODE, COUNTRY OF ORIGIN AND AGENCY APPROVAL MARKING IN APPROXIMATE LOCATION SHOWN.

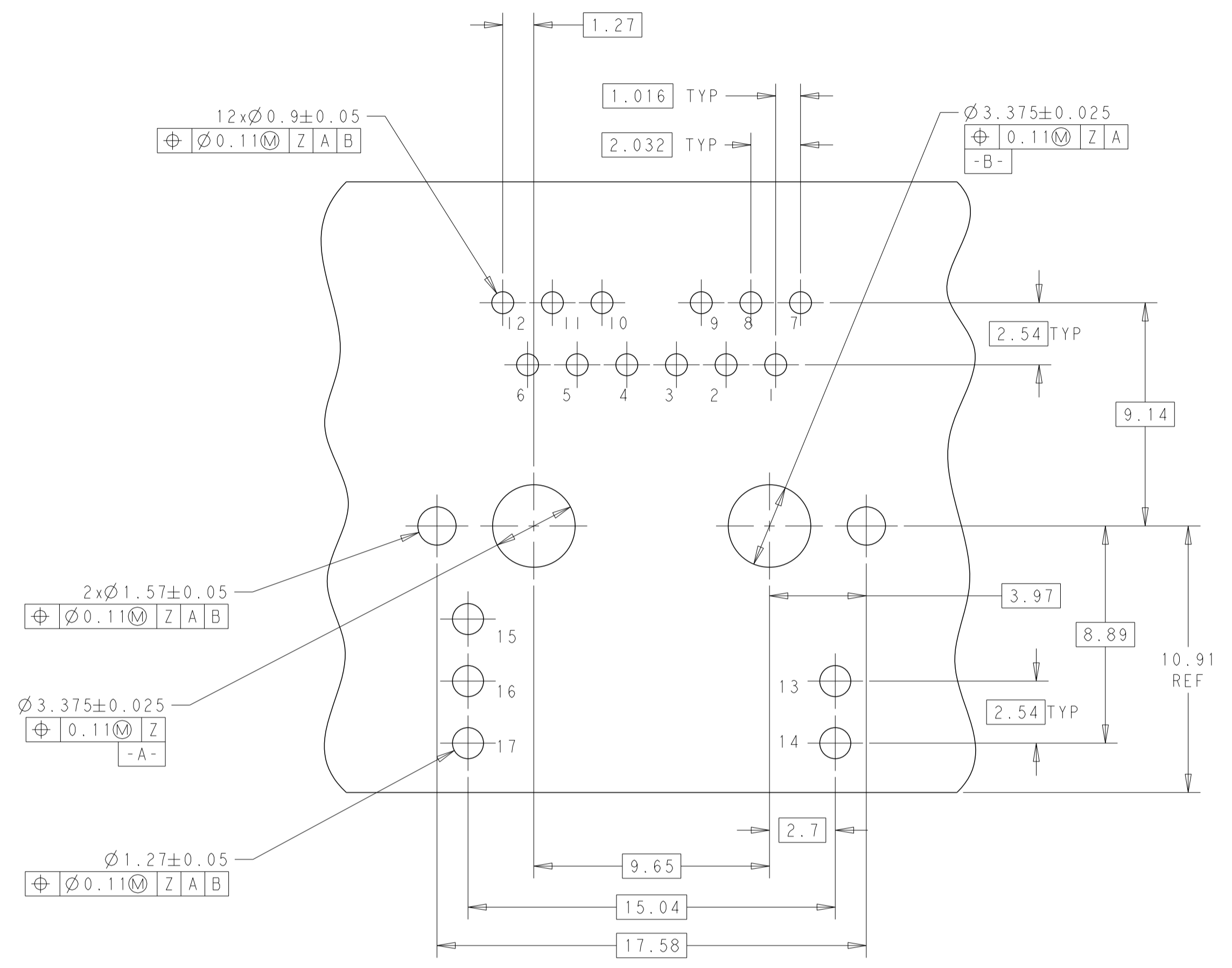
THESE PARTS ARE COMPLIANT TO WAVE SOLDERING PROCESS, PREHEAT TEMPERATURE IS 120°C TO 160°C, 120 SECONDS TO 180 SECONDS, PEAK SOLDERING TEMPERATURE IS 260°C MAX, 10 SECONDS MAX



SUGGESTED PANEL CUTOUT

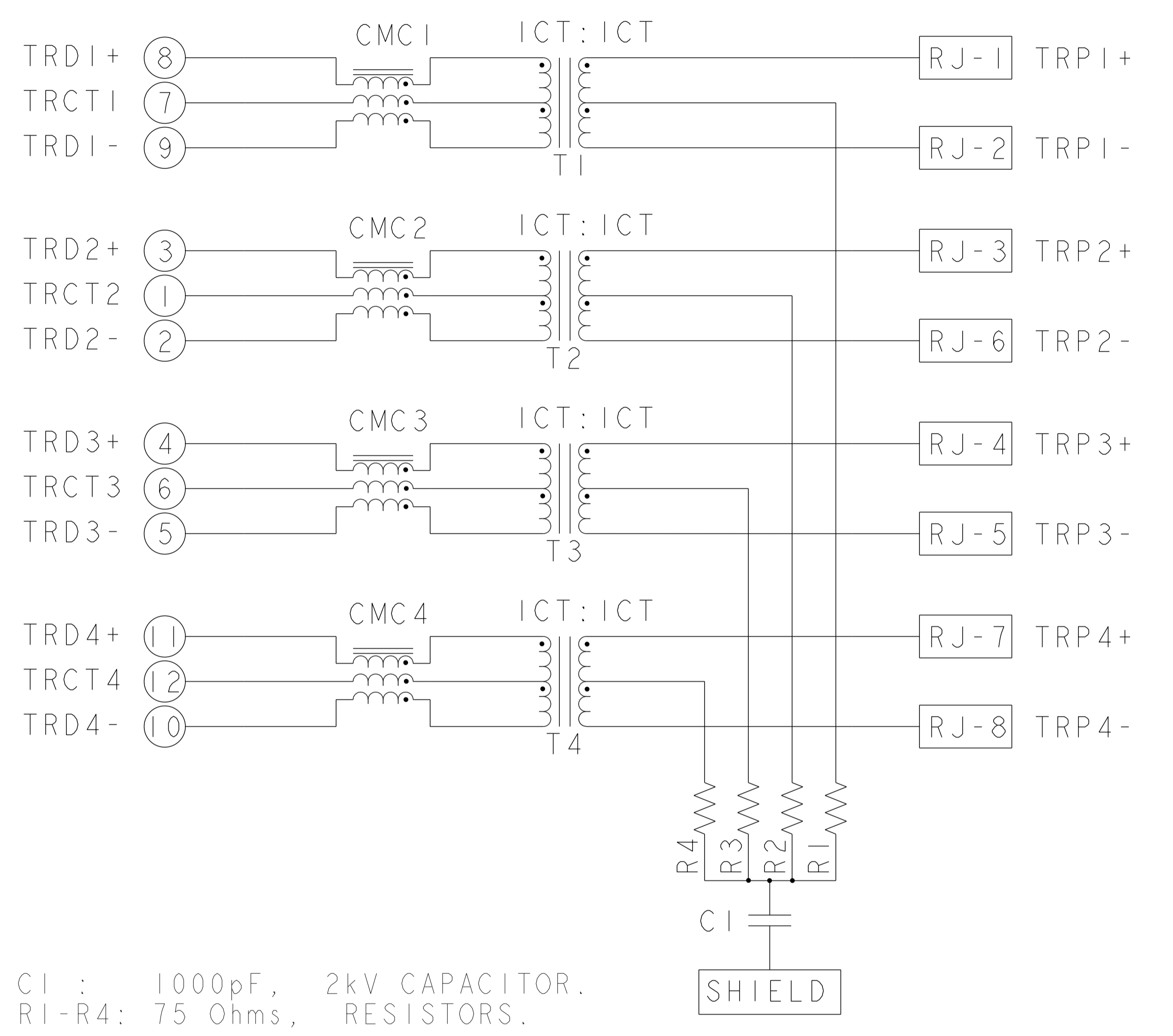
TRAY	WAVE SOLDERING \triangle	YELLOW	GREEN	-	GREEN	2250919-1
PACKAGE METHOD	SOLDERING PROCESS	16 \rightarrow 15	16 \rightarrow 17	13 \rightarrow 14	14 \rightarrow 13	PART NO.
		LED 2		LED 1		

THIS DRAWING IS A CONTROLLED DOCUMENT AND COMPLIANT TO ASME Y14.5M		DWN: JARRY YE / 16 JUL 2024 CHK: XINIA WANG / 16 JUL 2024 TOWER YU / BILL LIU / 16 JUL 2024 APPV: TONY YUAN / 16 JUL 2024	DONGGUAN CHINA
DIMENSIONS: mm 0 PLC \pm 0.25 1 PLC \pm 0.25 2 PLC \pm 0.25 3 PLC \pm 0.25 4 PLC \pm 0.25 ANGLES: \pm 0.1 APPLICATION SPEC: -	MODEL NAME: MAGJACK SINGLE Non-PoE	DESG: TXI 1TG27ET 10G EXTENDED TEMPERATURE TAB UP LOW PROFILE W/ LED SIZE: A1 CAGE CODE: C=2250919 RESTRICTED TO: -	
PRODUCT SPEC: 108-104004		CUSTOMER DRAWING	SCALE: 4:1 SHEET 1 OF 3 REV 1



SUGGESTED PCB LAYOUT


ITG27ET 10G CIRCUIT ³



C1 : 1000pF, 2kV CAPACITOR.
 R1-R4: 75 Ohms, RESISTORS.

THIS DRAWING IS A CONTROLLED DOCUMENT. AND COMPLIANT TO ASME Y14.5M		DWN: JARRY YE / 16 JUL 2024 CHK: TOWER YU / 16 JUL 2024 APVD: TONY YUAN / 16 JUL 2024	DONGGUAN CHINA
DIMENSIONS: mm 0 PLC ±0.25 1 PLC ±0.25 2 PLC ±0.25 3 PLC ± 4 PLC ± ANGLES ± APPLICATION SPEC ±	TOLERANCES UNLESS OTHERWISE SPECIFIED:	MODEL NAME: MAGJACK DESCRIPTION: TXI ITG27ET 10G EXTENDED TEMPERATURE TAB UP LOW PROFILE W/ LED	
PRODUCT SPEC: 108-104004	APPLICATION SPEC: -	SIZE: A1 CAGE CODE: C=2250919 DRAWING NO: -	RESTRICTED TO: - SCALE: 4:1 SHEET: 2 OF 3 REV: 1

C_2250919					STOCK DISPOSITION			
					A: CONTINUE AS IS		D: USE OLD FIRST	
					B: REWORK		E: PARTS TO CONFORM	
					C: SCRAP		F: OTHER	
REVISION HISTORY								
DATE	REV	CHANGES	REASON	APPROVAL	INVENTORY (A,B,C,D,E,F)	WORK IN PROCESS (A,B,C,F)	SUPPLIER ORDERS (A,E,F)	OPEN CUST ORDERS (A,E,F)
16JUL2024	1	INITIAL RELEASE	-	TONY YUAN	-	-	-	-

THIS DRAWING IS A CONTROLLED DOCUMENT. AND COMPLIANT TO ASME Y14.5M		OWN JARRY YE / XENIA WANG 16 JUL 2024	 trp CONNECTOR DONGGUAN CHINA
DIMENSIONS: mm		CHK TOWER YU / BILL LIU 16 JUL 2024	
TOLERANCES UNLESS OTHERWISE SPECIFIED:		APVD TONY YUAN 16 JUL 2024	MODEL NAME MAGJACK
0 PLC ±0.25 1 PLC ±0.25 2 PLC ±0.25 3 PLC ± 4 PLC ± ANGLES APPLICATION SPEC		DESC TX1 ITG27ET 10G EXTENDED TEMPERATURE TAB UP LOW PROFILE W/ LED	SIZE A1
PRODUCT SPEC 108-104004	APPLICATION SPEC -	CAGE CODE C=2250919	RESTRICTED TO -
CUSTOMER DRAWING		SCALE 4:1	SHEET 3 OF 3