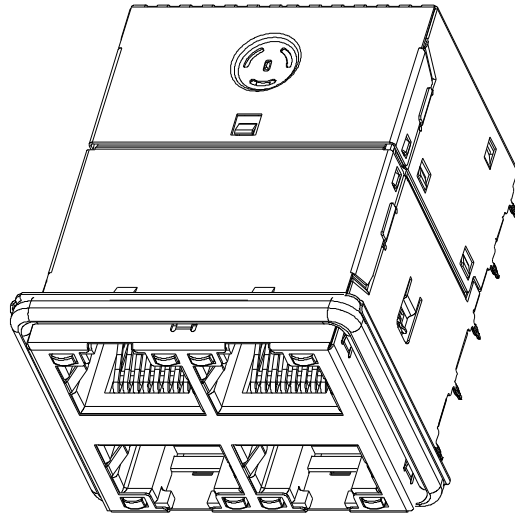


THIS DRAWING AND THE SUBJECT MATTER SHOWN THEREON ARE CONFIDENTIAL AND THE PROPERTY OF BEL/STEWART/TRP CONNECTOR AND SHALL NOT BE REPRODUCED, COPIED, OR USED IN ANY MANNER WITHOUT THE WRITTEN CONSENT OF TRP CONNECTOR.

PRODUCT MAY BE PROTECTED BY ONE OR MORE OF THE FOLLOWING US PATENTS:
 5736910 5939955 6425781 6428361 6554638 6840817 7123117
 7429195 7717749 7808751 6217391 6149050 7924130

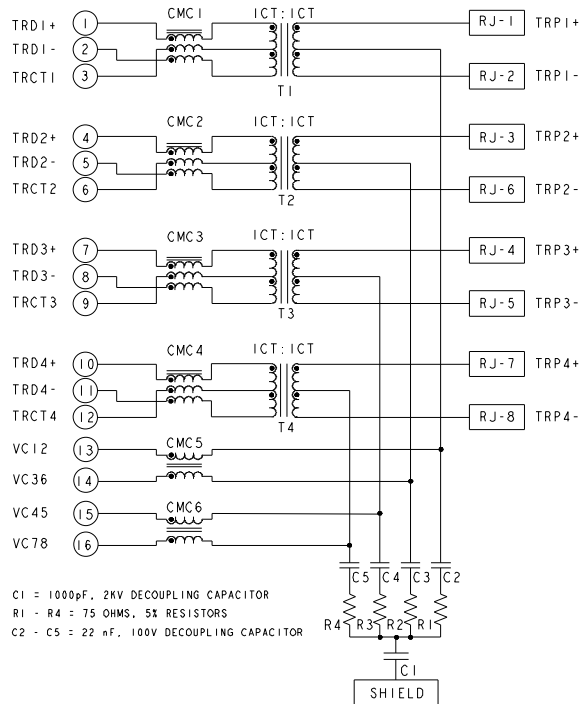
REVISIONS			
REV	DATE	DESCRIPTION	BY
1	15JUN2024	INITIAL RELEASE	CZ TY



1. MATERIALS
 HOUSING: THERMOPLASTIC, BLACK, FLAMMABILITY RATING UL 94V-0
 SHIELD: NICKEL OR TIN PLATED ON COPPER ALLOY
 COMPLIANT PIN: PHOSPHOR BRONZE, PLATED WITH 2.54um MIN MATTE TIN OVER 1.27um MIN NICKEL
 CONTACT: PHOSPHOR BRONZE, WITH 1.27um MIN OVERALL NICKEL UNDERPLATE AND SELECTIVE 1.27um MIN GOLD PLATING AT MATING INTERFACE

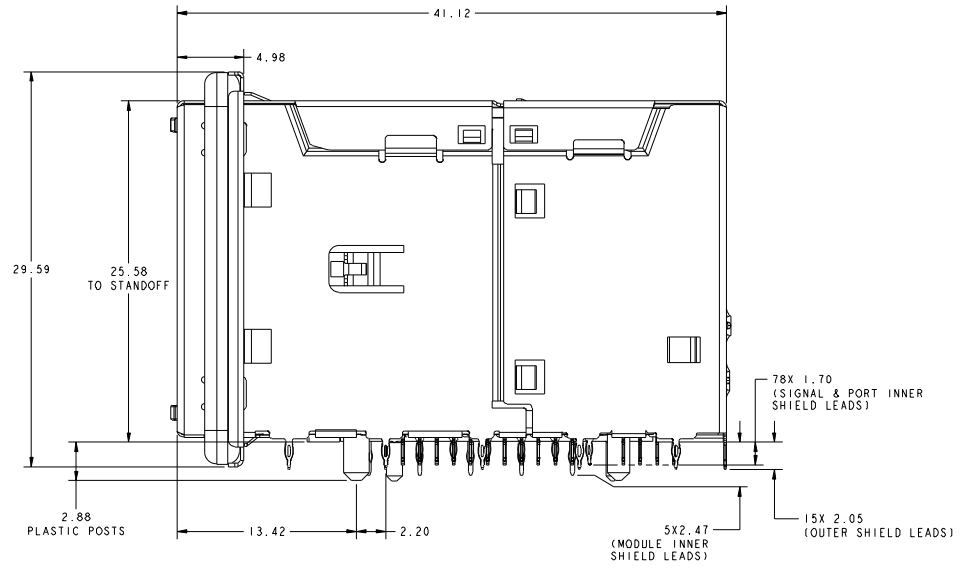
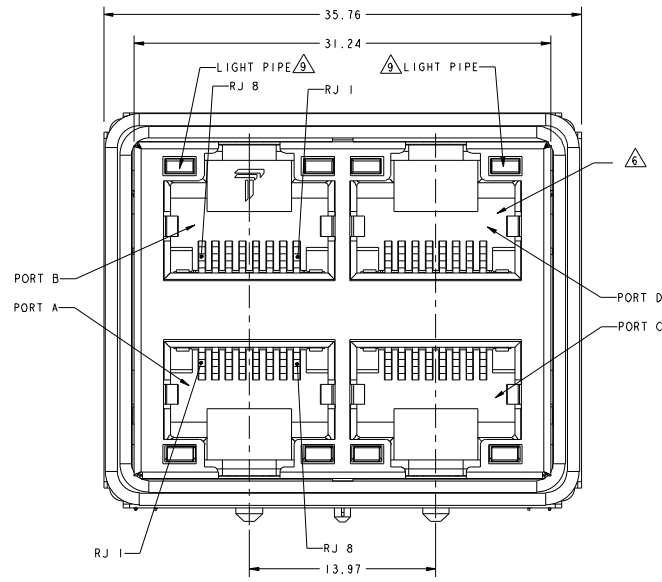
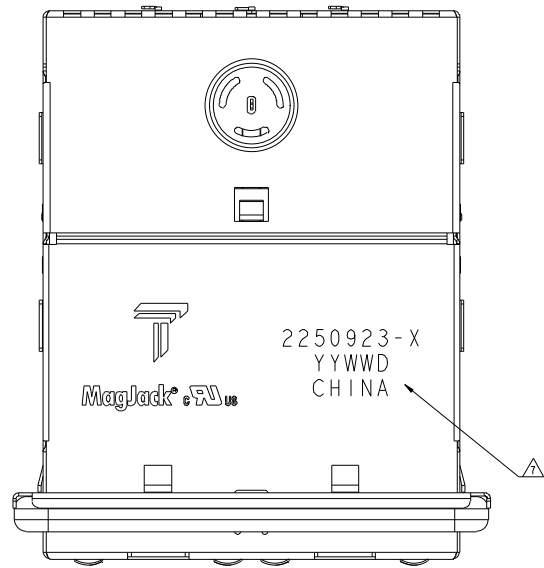
- △ MAGNETICS
 - APPLICATION: 1G/2.5G/5G/10G BASE-T, 4PPoE EXTENDED TEMPERATURE
 - IMPEDANCE: 100 OHMS
 - TURNS RATIO (CHIP:CABLE): 1:1 ALL FOUR PAIRS
 - OPEN CIRCUIT INDUCTANCE (OCL): 160uH MIN @ 100kHz, 0.1VRMS, 8mA DC BIAS, ALL FOUR PAIRS. 120uH MIN @ 100kHz, 0.1VRMS, 23mA DC BIAS, ALL FOUR PAIRS.
 - ALL FOUR PAIRS BI-DIRECTIONAL
 - PoE CURRENT: 1A DC MAX FOR ONE PAIR
 - PERFORMANCE @ 25°C (WHERE f IS FREQUENCY IN MHZ)
 (a) INSERTION LOSS (IL):
 1 MHZ TO 400 MHZ -0.5-1.3*(f-1)/400 dB MIN
 (b) RETURN LOSS (RL):
 1 MHZ TO 100 MHZ -17 dB MAX
 100 MHZ TO 500 MHZ -17 + 20.75LOG10(f/100) dB MAX
 (c) CROSSTALK ATTENUATION:
 1 MHZ TO 500 MHZ -20 dB MAX
 (d) COMMON MODE REJECTION:
 1 MHZ TO 500 MHZ -16 dB MAX
 - ISOLATION VOLTAGE: 2250VDC FOR 60 SECONDS WITH A RISE TIME OF 500V/SEC, WITH ALL PORTS CONNECTED.
- △ THE MAGNETIC CIRCUIT ON ALL FOUR CHANNELS IS SYMMETRICAL AND SUPPORTS AUTO-MDIX OPERATION.
4. OPERATING TEMPERATURE: -40°C - 85°C.
- △ DATUM Y AND BASIC DIMENSION ESTABLISHED BY CUSTOMER.
- △ RJ45 CAVITY CONFORMS TO FCC RULES AND REGULATION PART 68 SUBPART F.
- △ TRP CONNECTOR LOGO, PART NUMBER, DATE CODE, COUNTRY OF ORIGIN, AGENCY APPROVAL MARKING IN APPROPRIATE LOCATION SHOWN.
 DATE CODE: YYWW WHERE "YY" IS YEAR, "WW" IS WORK WEEK, "D" IS DAY OF WEEK, WITH SUNDAY= 1
- △ PANEL SEATING LOCATION WITH RESPECT TO CUSTOMER PCB EDGE.
- △ THE FINISHED GOODS IS WITHOUT SMD LED, THE SMD LED IS PROVIDED BY CUSTOMER HERSELF, AND THE SMD LED IS MOUNTED ON CUSTOMER PCB.
- △ FOR HOLE SIZE AND PLATINGS, SEE SHEET 4.

S9UTG04ET 10 GIGABIT 100W 4PPOE CIRCUIT



2250923-1
 PART NUMBER

THIS DRAWING IS A CONTROLLED DOCUMENT, AND COMPLIANT TO ASME Y14.5M		DATE: 15JUN2024 DRAWN BY: CHEN YI CHECK BY: LI JI APPROVED BY: JIN YUAN	REV: 1 DATE: 15JUN2024	DONGGUAN CHINA	
DIMENSIONS: N/A	INDICATED DIMENSIONS: N/A	MODEL NAME: MAGJACK	SIZE: 2X2, S9UTG04ET 10G 100W 4PPoE WITH LIGHT PIPE	REVISIONS: A1	RESTRICTED TO: .
PRODUCT SPEC: 100-104017	APPLICATION SPEC: .	CUSTOMER DRAWING	DATE: 15JUN2024	SHEET: 6	REV: 1



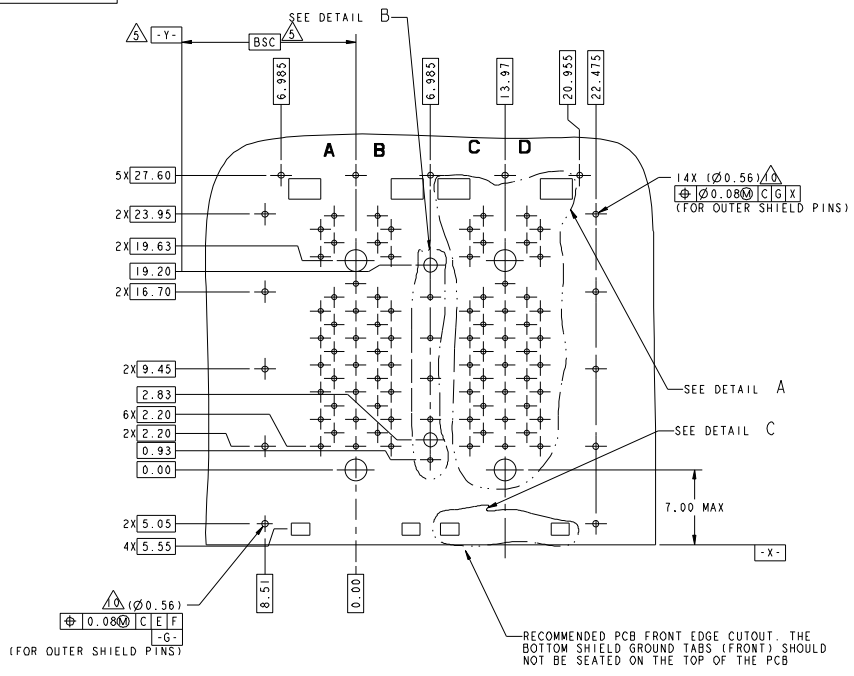
THIS DRAWING IS A CONTROLLED DOCUMENT, DIM 15 JUL 2024
 AND COMPLIANT TO ASME Y14.5M, CLOUD ZENG / TERRY LIM
 CHK: RICK LI / ALL 15 JUL 2024
 APPR: 15 JUL 2024
 DIMENSIONAL SPECIFIED: ONLY YUAN

	0 PIC	48.25
	1 PIC	48.25
	2 PIC	48.25
	3 PIC	48.25
	4 PIC	48.25
	5 PIC	48.25
	ANGLES	48.25
	APPLICATION SPEC	48.25

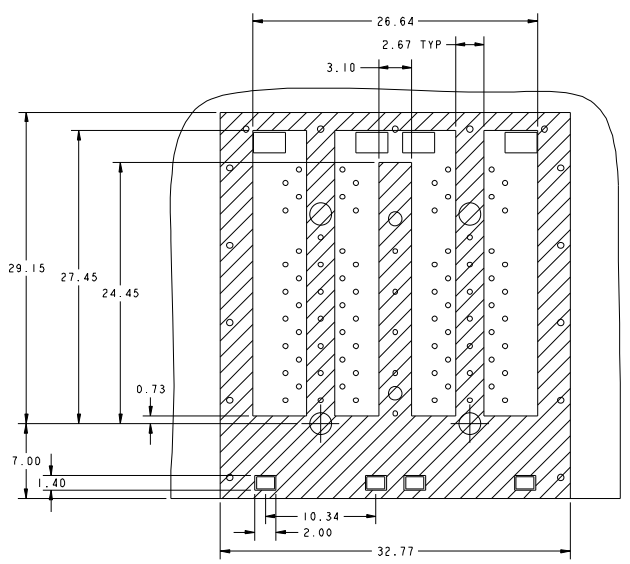
PRODUCT SPEC 108-104017

MODEL NAME	MAGJACK	REV	2
PRODUCT SPEC	STACK 4PPoE	DATE	15 JUL 2024
SIZE	A1	DRAWING NO	2250923
CUSTOMER DRAWING		SCALE	NTS

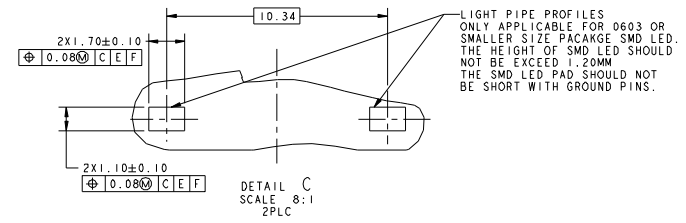
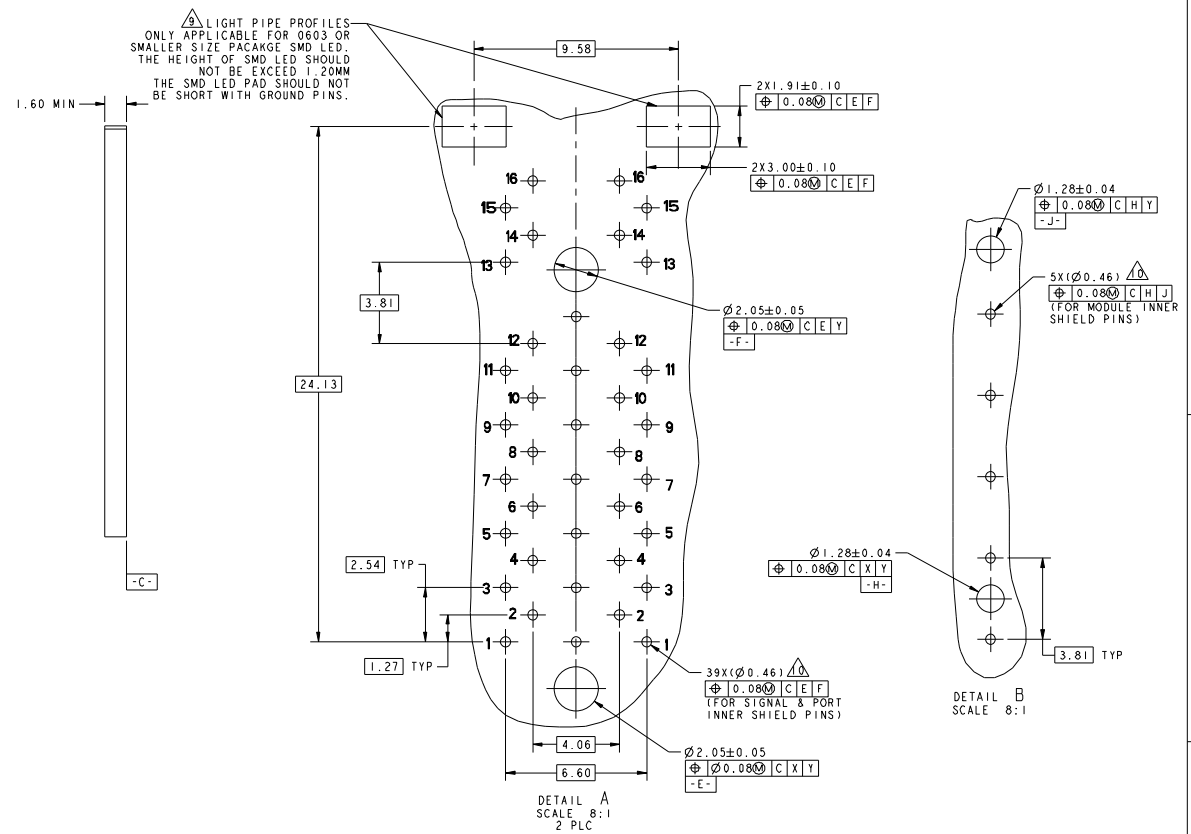
TRP CONNECTOR DONGGUAN CHINA
 2X2, S9UTG04ET 10G 100W 4PPoE WITH LIGHT PIPE
 ©=2250923
 SHEET 2 OF 6 REV 1



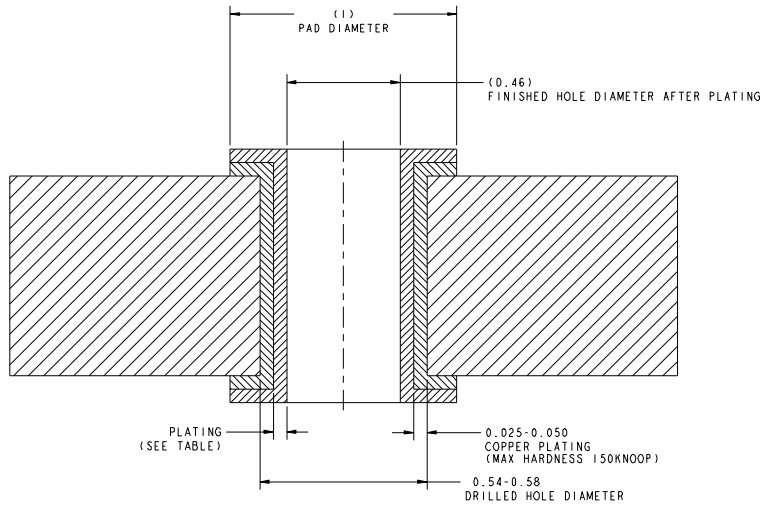
RECOMMENDED PC BOARD LAYOUT (VIEW FROM COMPONENT SIDE)



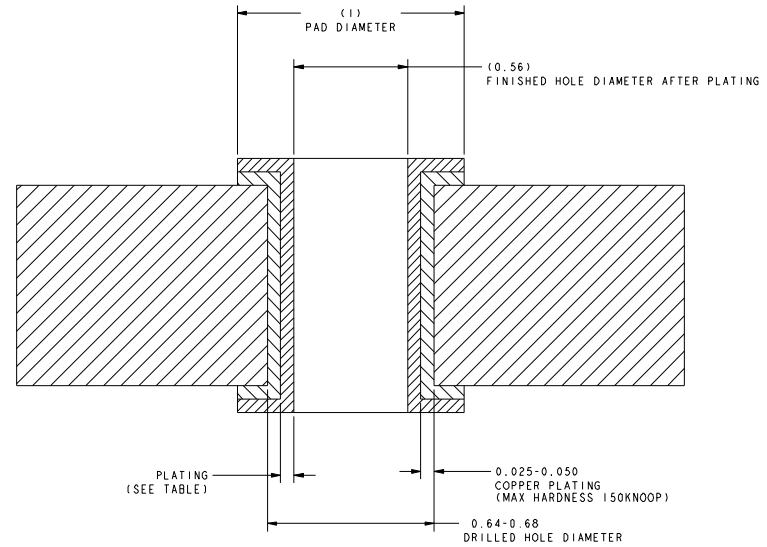
THE SHADED AREA ON THE CUSTOMER BOARD ARE RECOMMENDED TO BE CLEAR OF ANY VIA HOLE OR COMPONENT PAD



THIS DRAWING IS A CONTROLLED DOCUMENT, DIMENSIONS AND COMPLIANT TO ASME Y14.5M		DATE: 19 JUL 2024	DRW: TAOUD ZENG / TERRY LIM	trp CONNECTOR DONGGUAN CHINA
DRAWING NO: 108-104017		DATE: 19 JUL 2024	CHK: RICK LI / RICK LI	
PRODUCT SPEC: 108-104017	APPLICATION SPEC:	APPD: ONLY YUAN	MODEL NAME: MAGJACK	REV: 1
DIMENSIONS: 0 PLC 40.25, 1 PLC 40.25, 2 PLC 40.25, 3 PLC 40.25, 4 PLC 40.25, 5		SEC: 2X2, S9UTG04ET 10G 100W 4PPoE WITH LIGHT PIPE		RESTRICTED TO:
CUSTOMER DRAWING		SIZE: A1	CAD CODE: 2250923	DRWING NO: 2250923
DRAWING NO: 108-104017		SHEET 3 OF 6		REV: 1



RECOMMENDED HOLE DIMENSIONS FOR SIGNAL & INNER SHIELD CONTACTS



RECOMMENDED HOLE DIMENSIONS FOR OUTER SHIELD CONTACTS

THICKNESS	PLATING
0.004-0.010	HOT AIR SOLDER LEVELING (HASL) TIN-LEAD (Sn Pb)
0.0005-0.001	IMMERSION TIN (Sn)
0.0002-0.0005	ORGANIC SOLDERABILITY PRESERVATIVE (OSP)
0.0001-0.0005 Au, 0.004-0.0076 Ni	IMMERSION GOLD (Au) OVER NICKEL (Ni) (ENIG)
0.010-0.025	TIN LEAD PLATING (Sn Pb)
0.0001-0.00015	IMMERSION SILVER (Ag)

THIS DRAWING IS A CONTROLLED DOCUMENT, AND COMPLIANT TO ASME Y14.5M

DATE: 15 JUL 2024
 DRAWN BY: CHEN RICK LI / 15 JUL 2024
 CHECKED BY: CHEN RICK LI / 15 JUL 2024
 APPROVED BY: CHEN RICK LI / 15 JUL 2024

TRP CONNECTOR DONGGUAN CHINA

MODEL NAME: MAGJACK
 PRODUCT SPEC: 108-104017
 APPLICATION SPEC: -

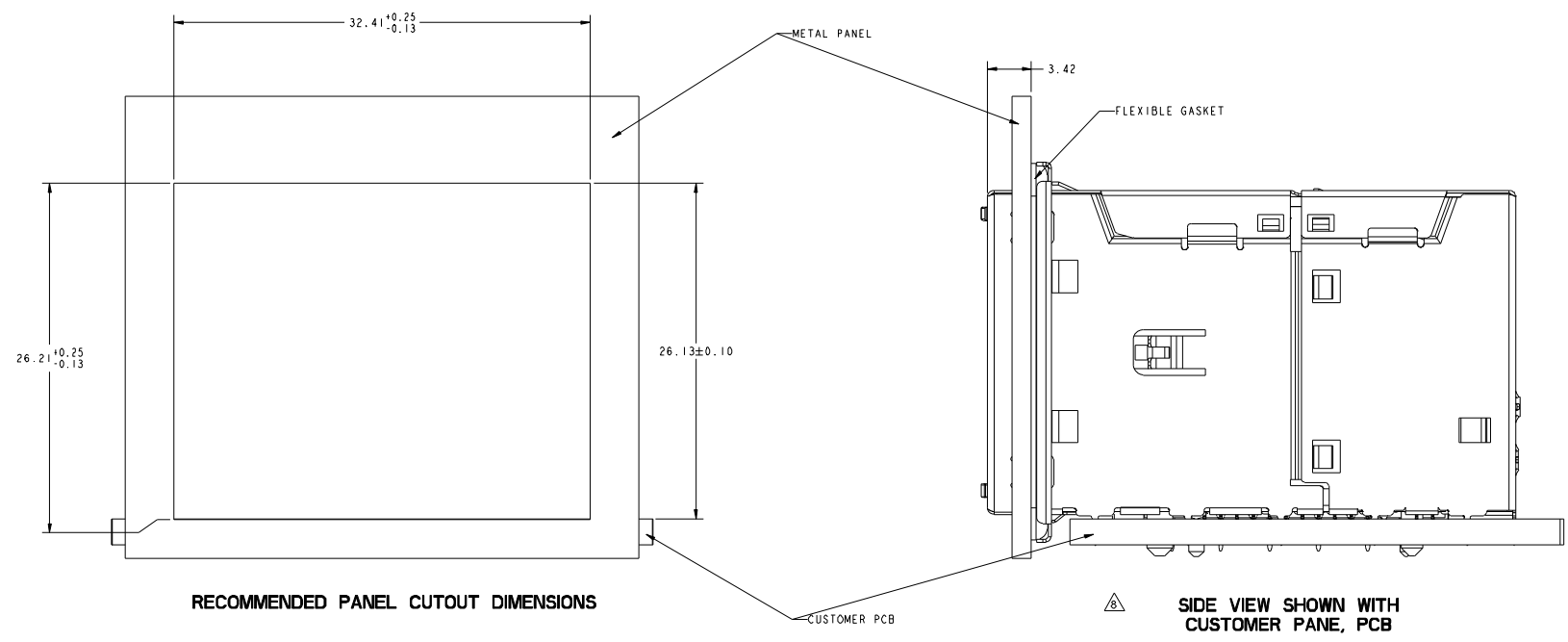
REV: 0
 1: 48.25
 2: 48.25
 3: 48.25
 4: 48.25

SEC: 2K2, S9UTG04ET 10G 100W 4PPoE WITH LIGHT PIPE

SIZE: A1
 CASE CODE: 2250923
 DRAWING NO: 2250923

CUSTOMER DRAWING

SCALE: NTS SHEET 4 OF 6 REV 1



RECOMMENDED PANEL CUTOUT DIMENSIONS

SIDE VIEW SHOWN WITH CUSTOMER PANE, PCB

THIS DRAWING IS A CONTROLLED DOCUMENT, DIM 19 JUL 2024
 AND COMPLIANT TO ASME Y14.5M, DWG T-CLOUD ZENG / TERRY LIM
 CHK RICK LI / ALL LTL 17 JUL 2024
 CDR CHEN YAN / ALL LTL 17 JUL 2024
 APPR TONY YUAN 15 JUL 2024

DIMENSIONS:	DIMENSIONS UNITS: mm ANGLES: °	0 P/LC 40.25 1 P/LC 20.25 2 P/LC 40.25 3 P/LC 20.25 4 P/LC 40	trp CONNECTOR DONGGUAN CHINA 2X2, S9UTG04ET 10G 100W 4PPoE WITH LIGHT PIPE MAGJACK STACK 4PPoE SIZE: A1 CASE CODE: 2250923 DRAWING NO: 108-104017 CUSTOMER DRAWING	RESTRICTED TO SCALE: NTS SHEET: 5 OF 6 REV: 1
-------------	-----------------------------------	---	---	--

2250923				STOCK DISPOSITION				
2X2, S9UTG04ET 10G 100W 4PPoE, WITH LIGHT PIPE				A: CONTINUE AS IS D: USE OLD FIRST B: REWORK E: PARTS TO CONFORM C: SCRAP F: OTHER				
REVISION HISTORY								
DATE	REV	CHANGES	REASON	APPROVAL	INVENTORY (A,B,C,D,E,F)	WORK IN PROCESS (A,B,C,F)	SUPPLIER ORDERS (A,E,F)	OPEN CUST ORDERS (A,E,F)
19 JUL 2024	I	-	INITIAL RELEASE	TONY YUAN	-	-	-	-
					-	-	-	-

THIS DRAWING IS A CONTROLLED DOCUMENT. AND COMPLIANT TO ASME Y14.5M

DATE: 19 JUL 2024
 DRAWN BY: XIAOYU ZHANG / TERRY LIU
 CHECKED BY: RICK LI / RICK LI
 APPROVED BY: TONY YUAN

TRP CONNECTOR DONGGUAN CHINA

MODEL NAME: MAGJACK
 SIZE: 2X2, S9UTG04ET 10G 100W 4PPoE WITH LIGHT PIPE
 CASE CODE: A1
 DRAWING NO: 2250923

PRODUCT SPEC: 108-104017
 APPLICATION SPEC: -

CUSTOMER DRAWING

SCALE: NTS SHEET 6 OF 6 REV 1