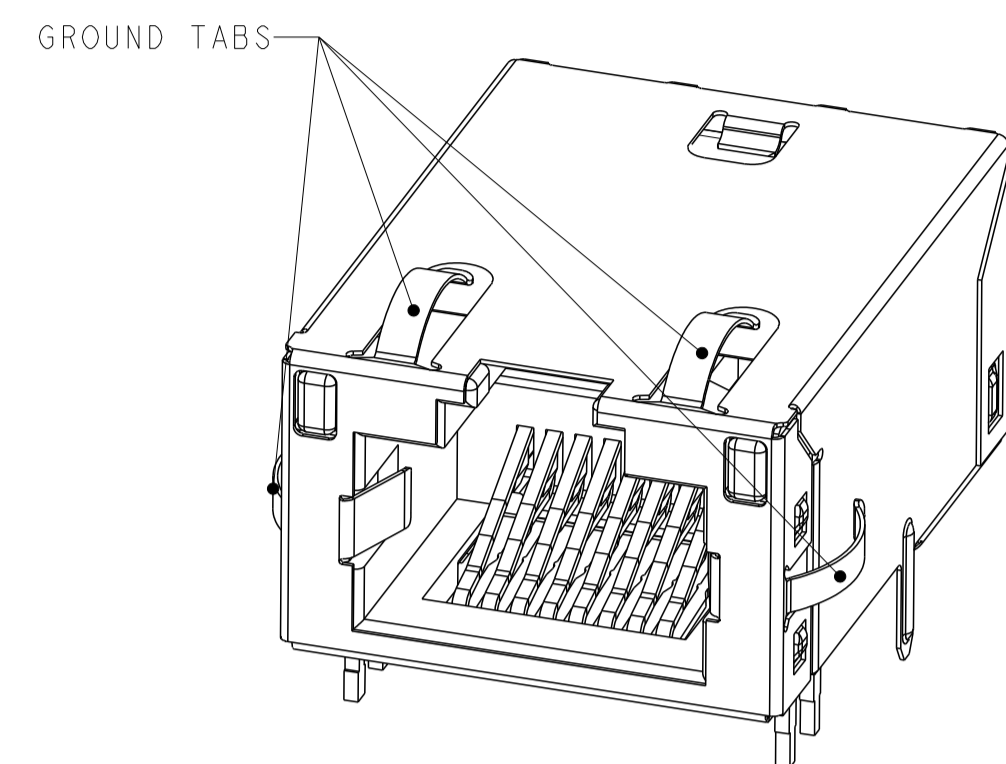
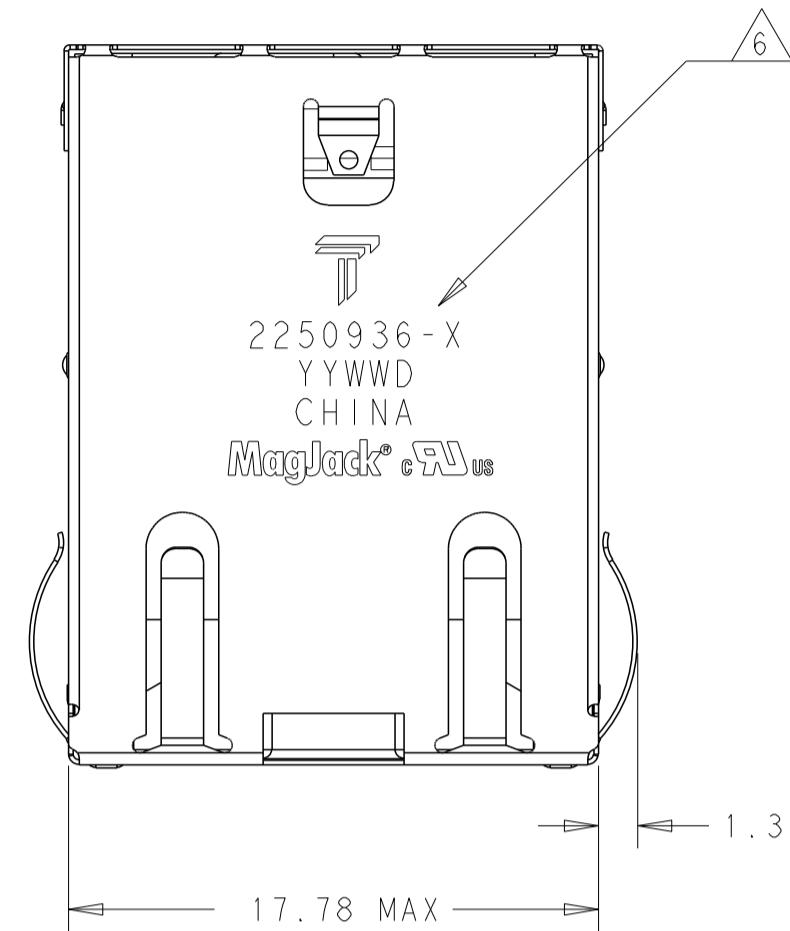


THIS DRAWING AND THE SUBJECT MATTER SHOWN THEREON ARE CONFIDENTIAL AND THE PROPERTY OF BEL/STEWART/TRP CONNECTOR AND SHALL NOT BE REPRODUCED, COPIED, OR USED IN ANY MANNER WITHOUT THE WRITTEN CONSENT OF TRP CONNECTOR.

PRODUCT MAY BE PROTECTED BY ONE OR MORE OF THE FOLLOWING US PATENTS:  
 5736910 5939955 6425781 6428361 6554638 6840817 7123117  
 7429195 7717749 7808751 6217391 6149050 7924130

REVISIONS				
#	DATE	DESCRIPTION	DATE	APPV
1		INITIAL RELEASE	22AUG2024	JY TY



- MATERIALS:**
- HOUSING: THERMOPLASTIC FLAMMABILITY, RATING, UL 94V-0
  - SHIELD: STAINLESS STEEL 0.15mm THICK, PREPLATED WITH 0.76  $\mu$ m MIN SEMI-BRIGHT NICKEL; SOLDER TABS POST PREPLATED WITH 3 $\mu$ m TIN.
  - MOD JACK CONTACTS: 0.3mm THICK, PHOSPHOR BRONZE, 1.27  $\mu$ m MIN OVERALL NICKEL UNDERPLATE, WITH 1.27 $\mu$ m MIN LOCALIZED GOLD PLATE AT PLUG INTERFACE;
  - LIGHT EMITTING DIODE (LED): DIFFUSED EPOXY LENS, 0.5mm X 0.5mm CARBON STEEL WIREFRAME LEADS PREPLATED WITH 2.03 $\mu$ m MIN. SILVER PLATE OVER 1.02 $\mu$ m MIN. NICKEL OVER 1.02 $\mu$ m MIN. COPPER UNDERPLATE; LEADS POST-PLATED WITH 3.05 $\mu$ m MIN. MATTE TIN.

**RJ45 JACK CAVITY CONFORMS TO FCC RULES AND REGULATIONS PART 68, SUB-PART F.**

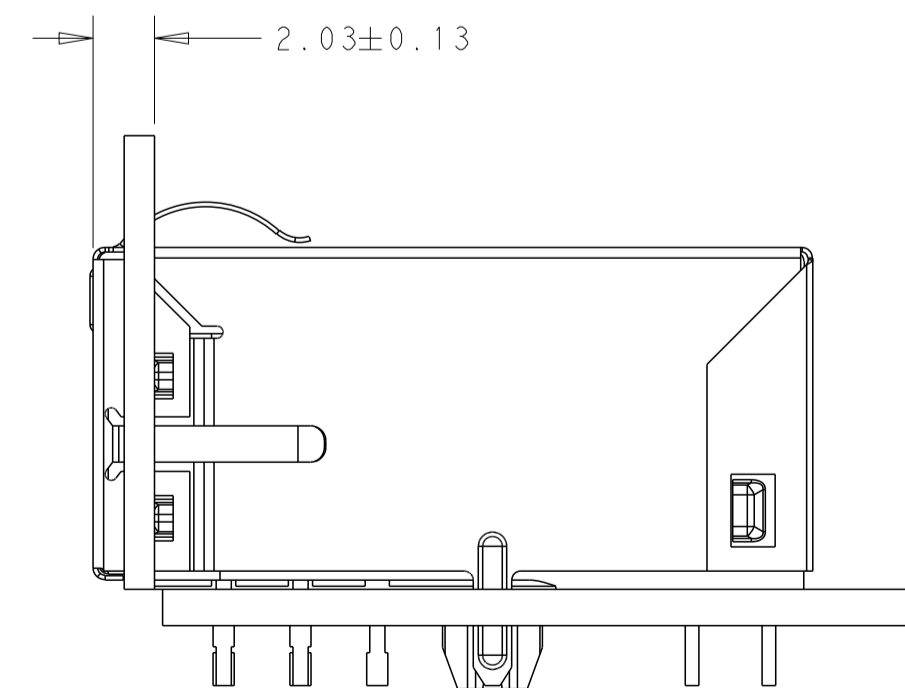
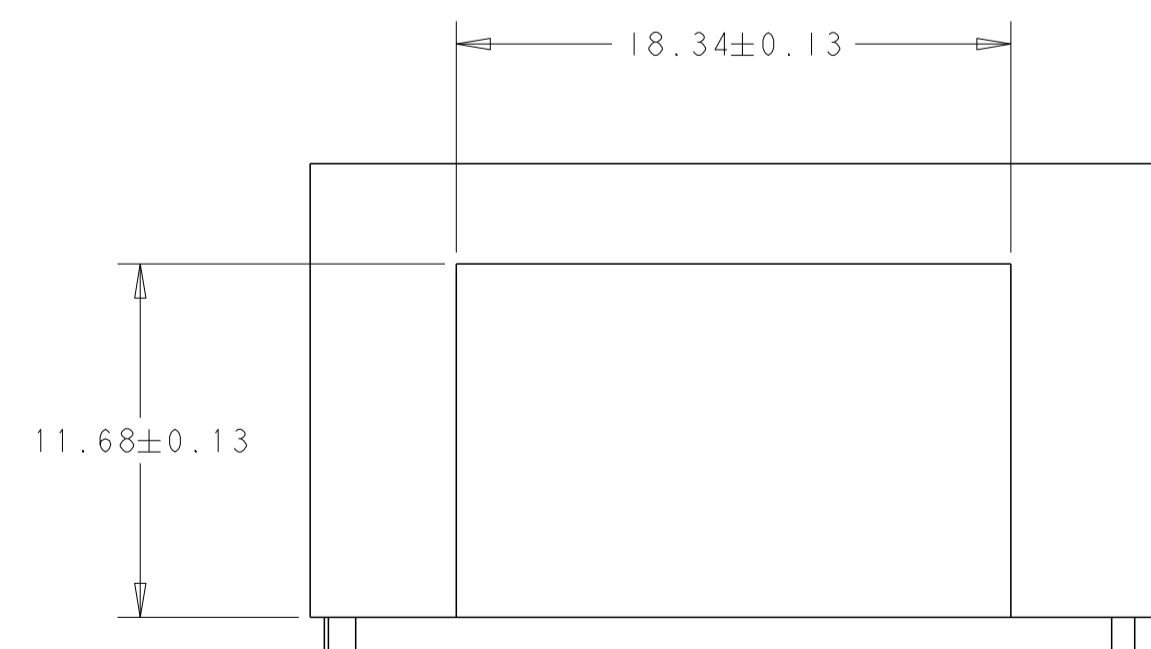
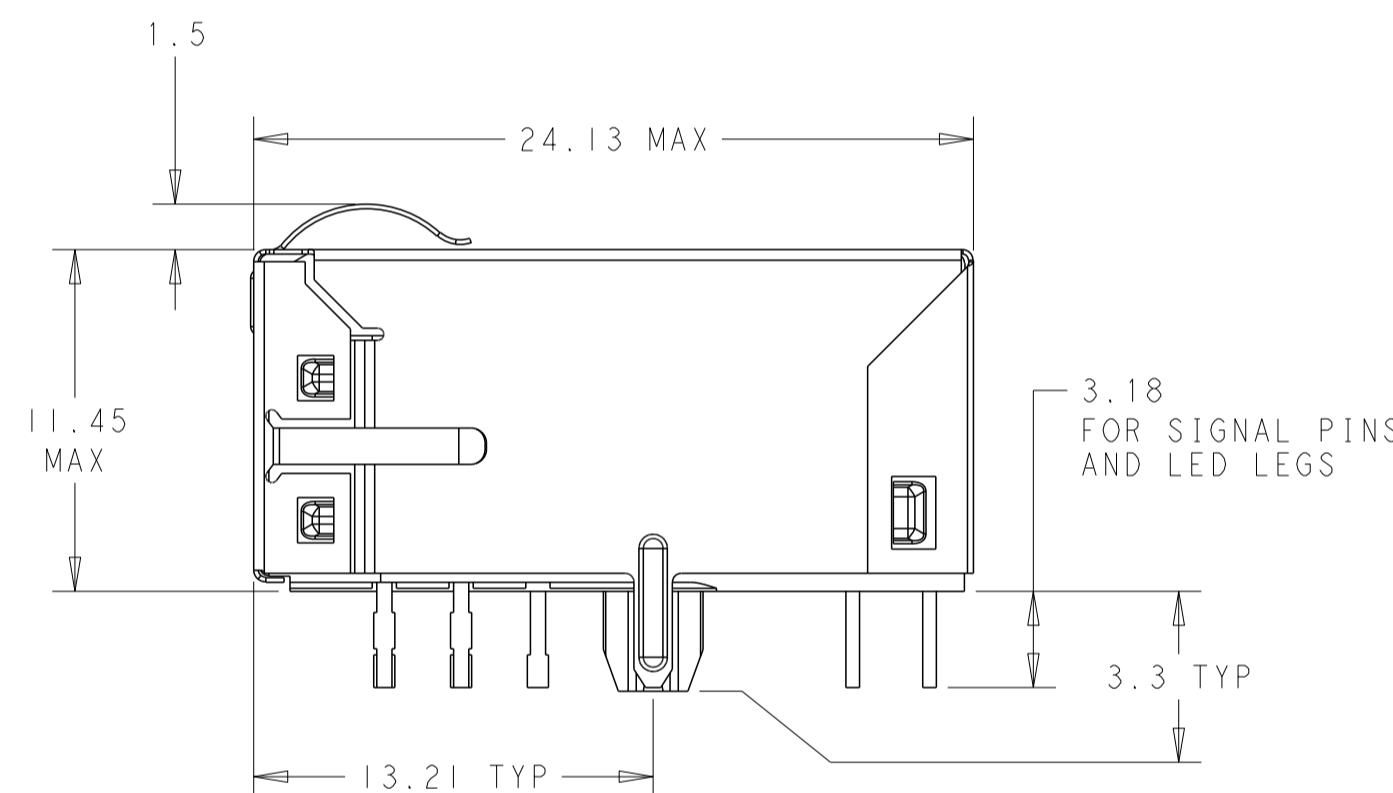
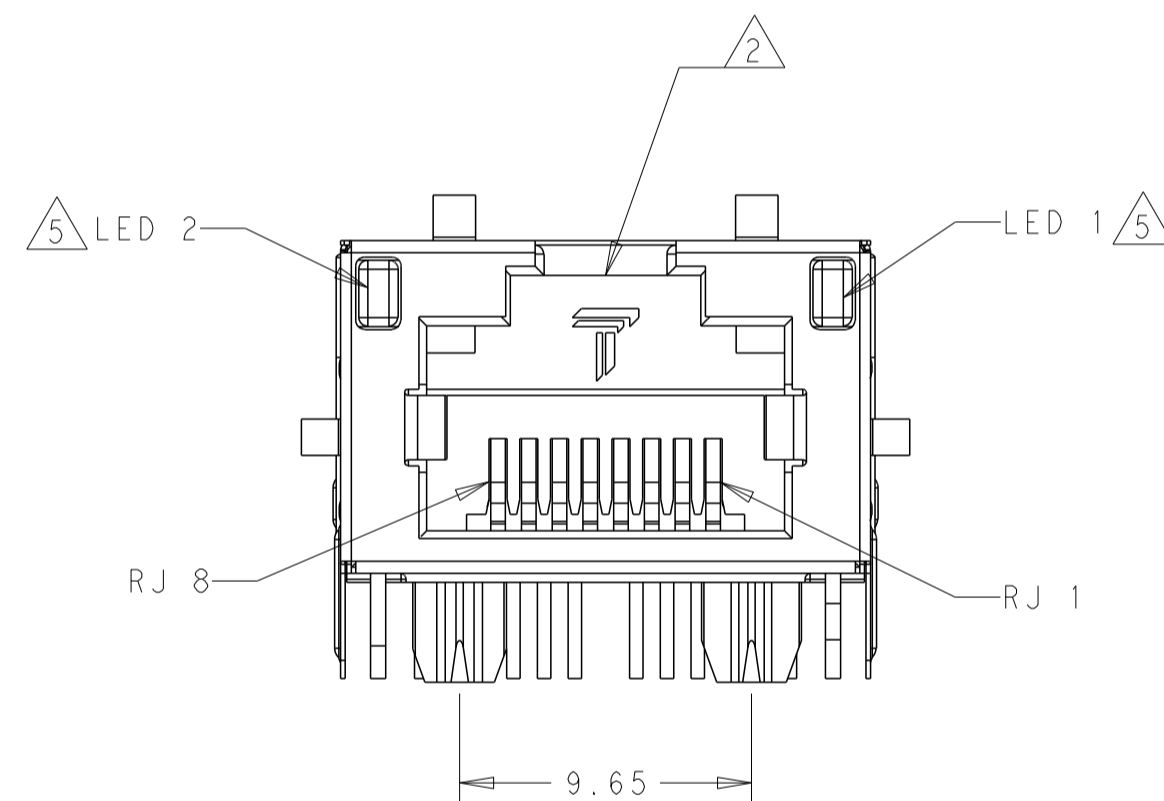
- MAGNETICS:**
- APPLICATION: 1G/10G BASE-T EXTENDED TEMPERATURE
  - IMPEDANCE: 100 OHMS
  - TURNS RATIO (CHIP:CABLE): 1:1 ALL FOUR PAIRS
  - OPEN CIRCUIT INDUCTANCE (OCL): 160 $\mu$ H MIN @100kHz, 0.1VRMS, 8mADC BIAS, ALL FOUR PAIRS
  - ALL FOUR PAIRS BI-DIRECTIONAL
  - PERFORMANCE @ 25°C: PLEASE REFER TO SEPARATE SHEET
  - ISOLATION VOLTAGE: 2250 VDC FOR 60 SECONDS WITH A RISE TIME OF 500V/SEC

**OPERATING TEMPERATURE: FROM -40°C TO 85°C**

- LED IS WITH CONSTANT CURRENT AT APPROX 20mA.**
- LED COLOR: DONINANT WAVELENGTH( $\lambda$ D), GREEN = 568 $\pm$ 5nm TYP. at IF=20mA  
 FORWARD VOLTAGE(VF), GREEN 2.2V TYP. at IF=20mA.  
 DONINANT WAVELENGTH( $\lambda$ D), YELLOW = 588 $\pm$ 5nm TYP. at IF=20mA  
 FORWARD VOLTAGE(VF), YELLOW 2.1V TYP. at IF=20mA.**

**TRP CONNECTOR LOGO, PART NUMBER, DATE CODE, COUNTRY OF ORIGIN AND AGENCY APPROVAL MARKING IN APPROXIMATE LOCATION SHOWN.**

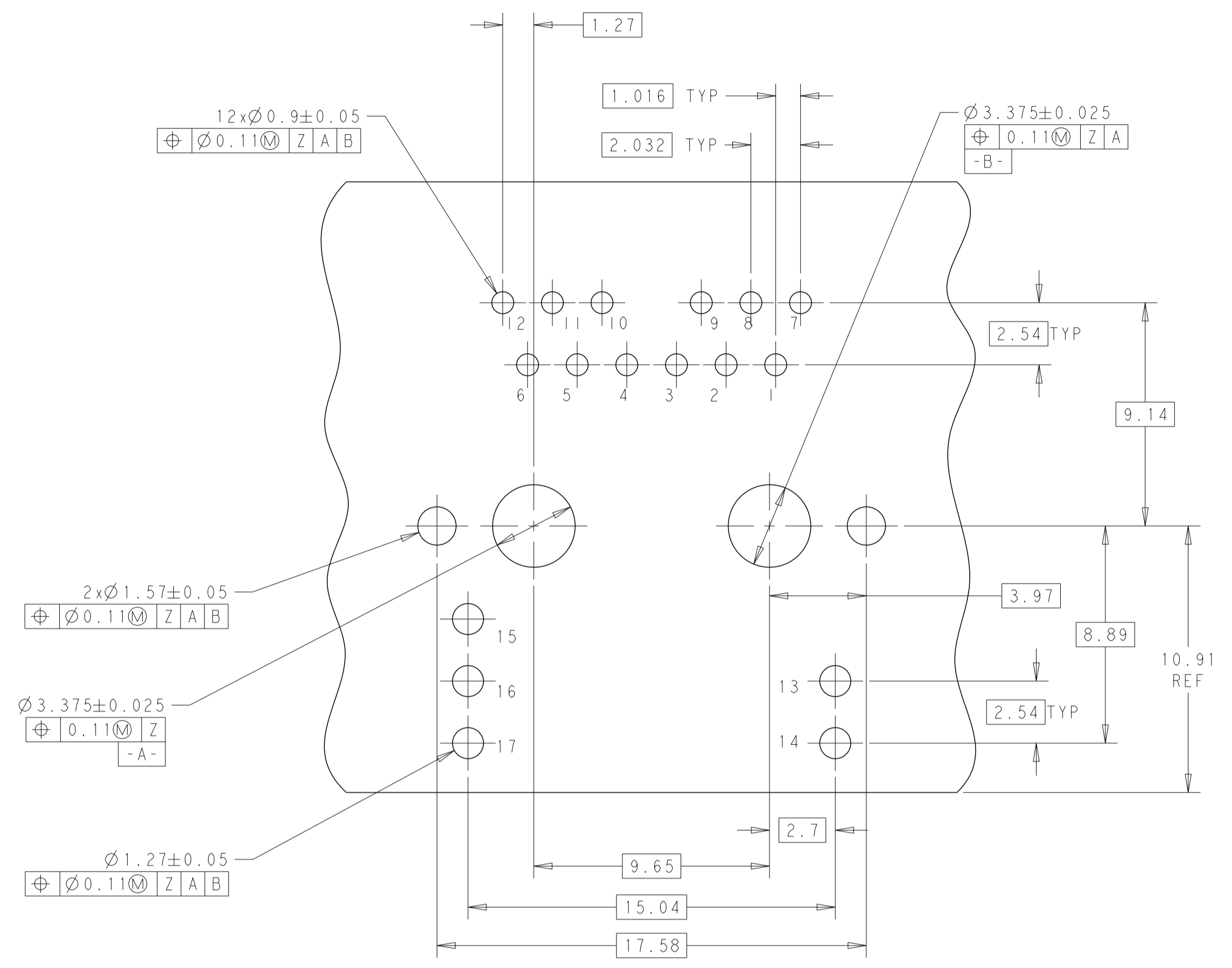
**PART IS RECOMMENDED FOR WAVE SOLDERING PROCESS, PREHEAT TEMPERATURE IS 120°C TO 160°C, 120 SECONDS TO 180 SECONDS, PEAK SOLDERING TEMPERATURE IS 260°C MAX, 10 SECONDS MAX**



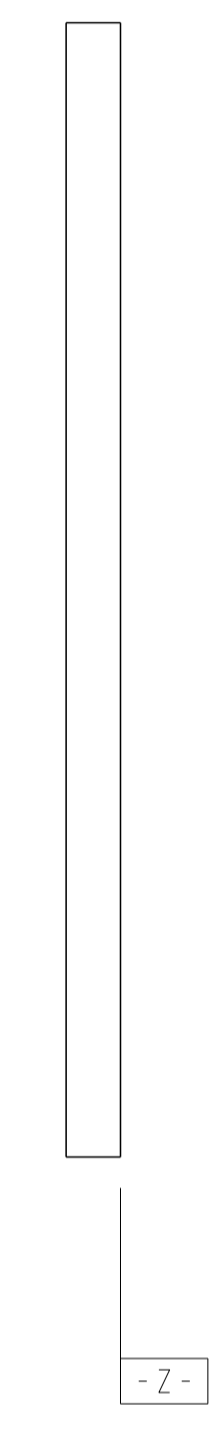
SUGGESTED PANEL CUTOUT

TRAY	WAVE SOLDERING $\triangle$	YELLOW	GREEN	-	GREEN	2250936-1
PACKAGE METHOD	SOLDERING PROCESS	16 $\rightarrow$ 15	16 $\rightarrow$ 17	13 $\rightarrow$ 14	14 $\rightarrow$ 13	PART NO.
		LED 2		LED 1		

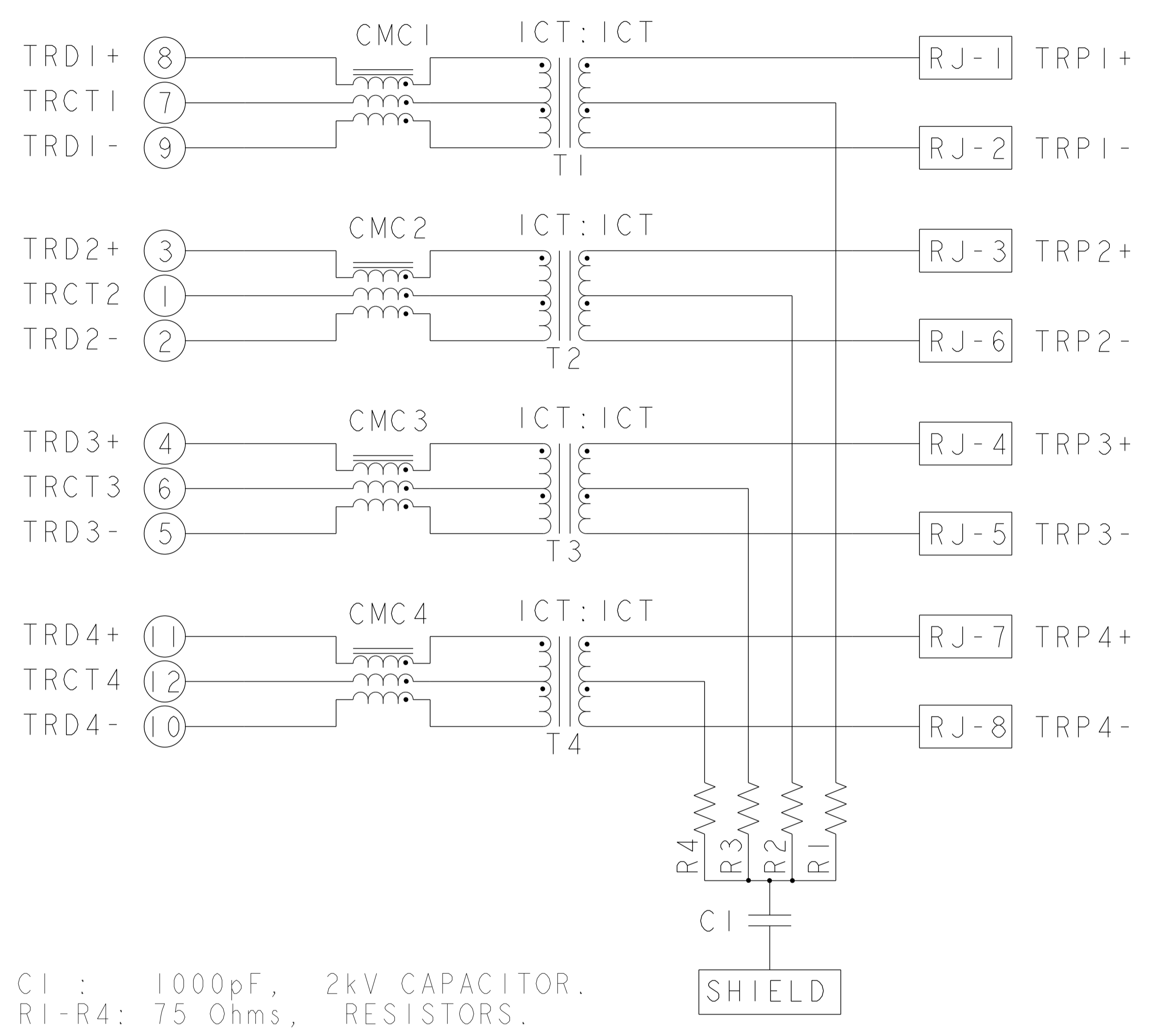
THIS DRAWING IS A CONTROLLED DOCUMENT AND COMPLIANT TO ASME Y14.5M		OWN: JARRY YE / XENIA WANG 22AUG2024	<b>trp</b> CONNECTOR DONGGUAN CHINA a bel group
DIMENSIONS: mm		CHK: TOWER YU / BILL LIU 22AUG2024	
TOLERANCES UNLESS OTHERWISE SPECIFIED:		APPV: TONY YUAN 22AUG2024	DESC: 1X1 1TG27MET 10G EXTENDED TEMPERATURE TAB UP LOW PROFILE W/ LED
0 PLC $\pm$ 0.25 1 PLC $\pm$ 0.25 2 PLC $\pm$ 0.25 3 PLC $\pm$ 4 PLC $\pm$ ANGLES $\pm$ APPLICATION SPEC $\pm$		MODEL NAME: MAGJACK	SIZE: A1
PRODUCT SPEC: 108-104004		CAGE CODE: C=2250936	RESTRICTED TO: -
CUSTOMER DRAWING		SCALE: 4:1	SHEET 1 OF 3 REV



SUGGESTED PCB LAYOUT




ITG27MET 10G CIRCUIT



C1 : 1000pF, 2kV CAPACITOR.  
 R1-R4: 75 Ohms, RESISTORS.

THIS DRAWING IS A CONTROLLED DOCUMENT. AND COMPLIANT TO ASME Y14.5M		DWN: JARRY YE / XENIA WANG CHK: TOWER YU / BILL LIU APYD: TONY YUAN DATE: 22AUG2024	DONGGUAN CHINA a bel group TRP CONNECTOR
DIMENSIONS: mm 0 PLC ±0.25 1 PLC ±0.25 2 PLC ±0.25 3 PLC ± 4 PLC ± ANGLES ± APPLICATION SPEC ±	TOLERANCES UNLESS OTHERWISE SPECIFIED: 0 PLC ±0.25 1 PLC ±0.25 2 PLC ±0.25 3 PLC ± 4 PLC ± ANGLES ± APPLICATION SPEC ±	MODEL NAME: MAGJACK DESCRIPTION: SINGLE Non-PoE SIZE: A1 CAGE CODE: C=2250936 DRAWING NO: 108-104004	DESC: ITG27MET 10G EXTENDED TEMPERATURE TAB UP LOW PROFILE W/ LED SCALE: 4:1 SHEET: 2 OF 3 REV: 1

C_2250936					STOCK DISPOSITION			
					A: CONTINUE AS IS		D: USE OLD FIRST	
					B: REWORK		E: PARTS TO CONFORM	
					C: SCRAP		F: OTHER	
REVISION HISTORY								
DATE	REV	CHANGES	REASON	APPROVAL	INVENTORY (A,B,C,D,E,F)	WORK IN PROCESS (A,B,C,F)	SUPPLIER ORDERS (A,E,F)	OPEN CUST ORDERS (A,E,F)
22AUG2024	1	INITIAL RELEASE	-	TONY YUAN	-	-	-	-

THIS DRAWING IS A CONTROLLED DOCUMENT. AND COMPLIANT TO ASME Y14.5M		OWN: JARRY YE / XENIA HANG CHK: TOWER YU / BILL LIU APP'D: TONY YUAN	22AUG2024 22AUG2024 22AUG2024	 <b>trp</b> CONNECTOR DONGGUAN CHINA a bel group
DIMENSIONS: mm	TOLERANCES UNLESS OTHERWISE SPECIFIED: 0 PLC ±0.25 1 PLC ±0.25 2 PLC ±0.25 3 PLC ± 4 PLC ± ANGLES ±	MODEL NAME MAGJACK	DESC: TX1 ITG27MET 10G EXTENDED TEMPERATURE TAB UP LOW PROFILE W/ LED	
PRODUCT SPEC 108-104004	APPLICATION SPEC -	SINGLE Non-PoE	SIZE: A1 CAGE CODE: C=2250936 DRAWING NO: -	RESTRICTED TO CUSTOMER DRAWING
			SCALE: 4:1	SHEET 3 OF 3