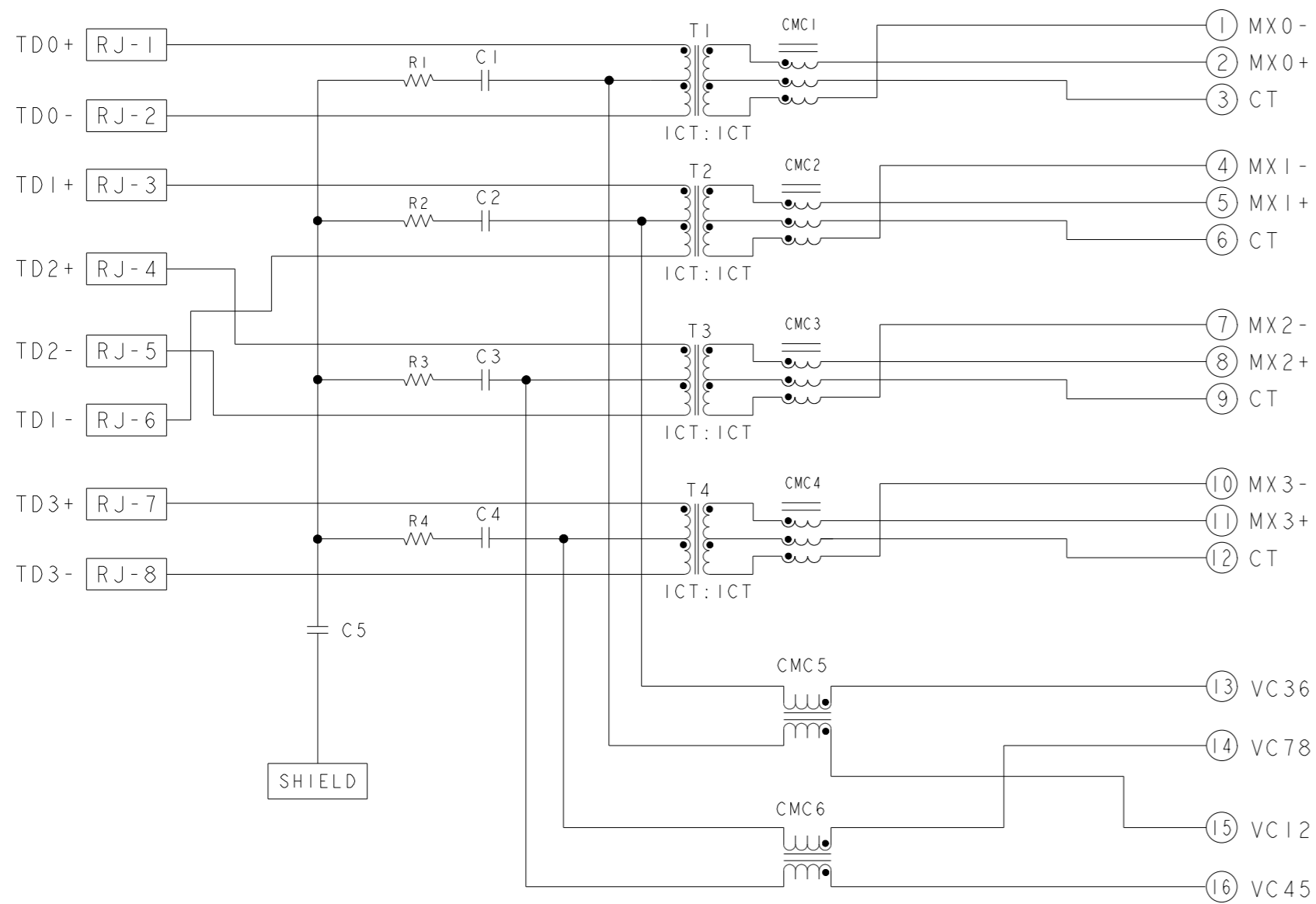


S9HFG17LET 5G 4PPOE CIRCUIT $\Delta\Delta$
 TOP AND BOTTOM PORTS

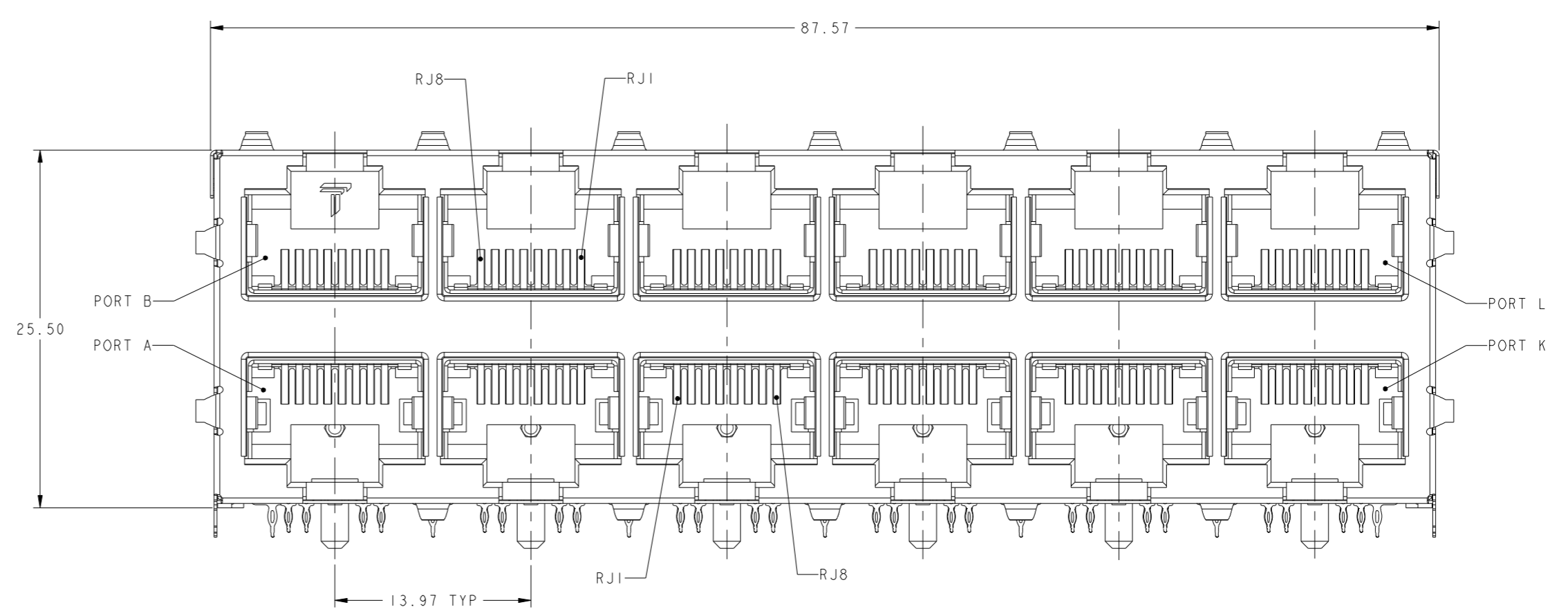
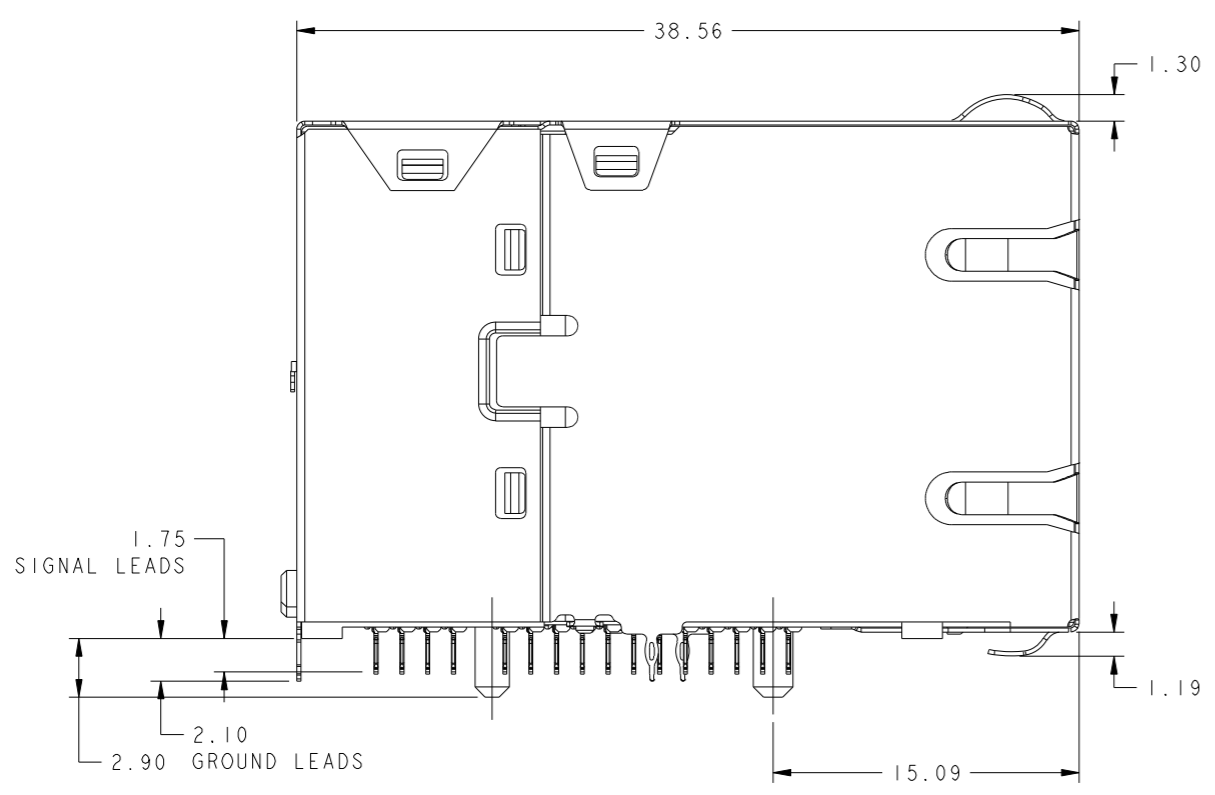
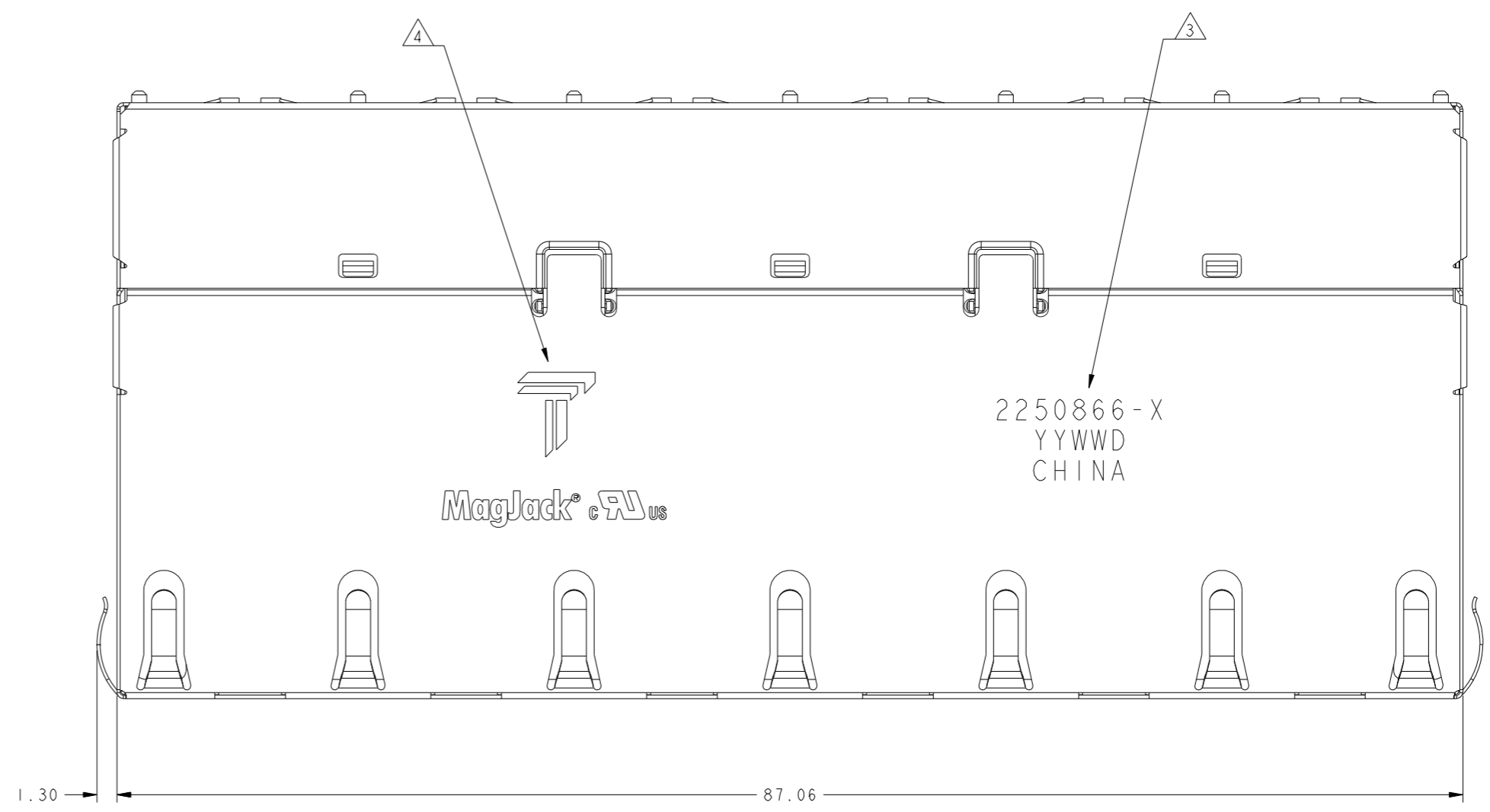



C1-C4 = 22nF, 100V, CAPACITORS
 C5 = 1000pF, 3kV, CAPACITOR
 R1-R4 = 75 Ohms, 1/16W, RESISTORS

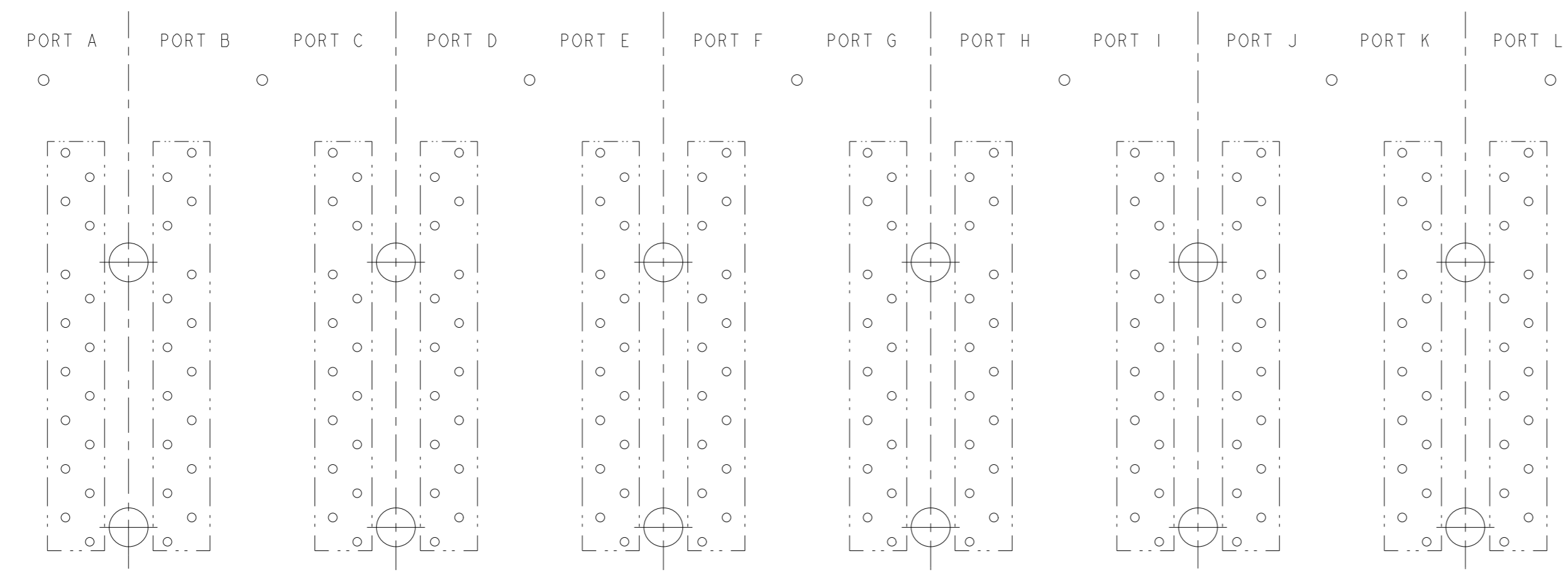
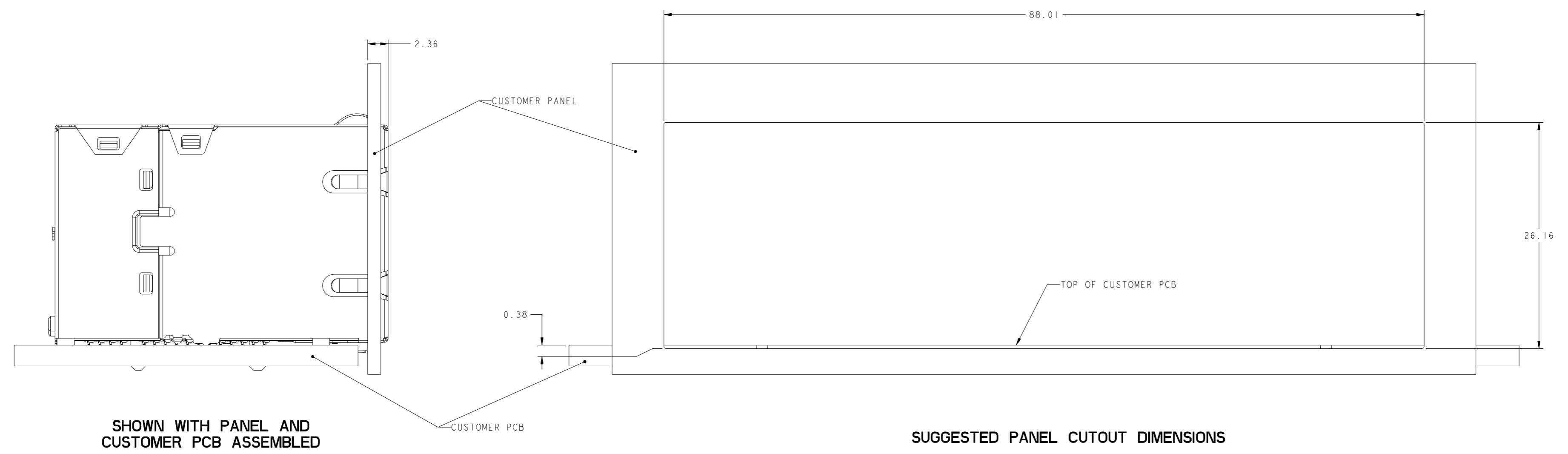
- MATERIALS:
 PLASTIC HOUSING: BLACK, THERMOPLASTIC FLAMMABILITY RATING UL 94V-0
 SHIELD: BRASS, PREPLATED WITH 0.76um MIN SEMI-BRIGHT NICKEL
 CONTACTS: PHOSPHOR BRONZE, 1.27um MIN OVERALL NICKEL UNDERPLATE WITH SELECT 1.27um MIN GOLD AT MATING INTERFACE AND 2.54um MIN MATTE TIN ON SOLDER TAILS.
 - MAGNETICS
 APPLICATION: 5G BASE-T, 4PPOE
 IMPEDANCE: 100 OHMS
 TURNS RATIO (CHIP:CABLE): 1:1 ALL FOUR PAIRS
 OPEN CIRCUIT INDUCTANCE (OCL):
 ALL CHANNELS 120uH MIN @ 100kHz, 0.1 VRMS WITH 19mA DC BIAS
 ALL CHANNELS 160uH MIN @ 100kHz, 0.1 VRMS WITH 8mA DC BIAS
 ALL FOUR PAIRS BI-DIRECTIONAL
 POE CURRENT: 600mA DC
 PERFORMANCE @ 25°C (WHERE f IS FREQUENCY IN MHZ):
 (a) INSERTION LOSS (MIN)
 1MHz TO 200MHz = -0.8 dB
 200MHz TO 250MHz = -1.4 dB
 (b) RETURN LOSS (MAX)
 1MHz TO 40MHz = -18 dB
 40MHz TO 250MHz = -18+10*LOG10(f/40) dB
 (c) CROSSTALK ATTENUATION (MAX)
 1MHz TO 500MHz = -20dB
 (d) COMMON MODE REJECTION (MAX)
 1MHz TO 250MHz = -20dB
 250MHz TO 500MHz = -20+25*LOG10(f/250)
 ISOLATION VOLTAGE: 2250VDC(MAX) FOR 60 SECONDS WITH A RISE TIME OF 500V/SEC AND WITH ALL PORTS CONNECTED.
 - PART NUMBER, DATE CODE AND COUNTRY OF ORIGIN ARE LOCATED IN APPROXIMATE AREA SHOWN. DATE CODE "YY" IS YEAR, "WW" IS WORK WEEK, "D" IS DAY OF WEEK, WITH SUNDAY=1
 - COMPANY LOGO AND AGENCY APPROVAL LOGO ARE LOCATED IN APPROXIMATE AREA SHOWN.
 - OPERATING TEMP: FROM -40°C TO 85°C.
 - RJ45 CAVITY CONFORMS TO FCC RULES AND REGULATION PART 68 SUBPART F.
- Δ INDICATED MAGNETIC CONNECTIONS ARE SYMMETRICAL AND SUPPORT AUTO-MDI/MDIX.
- Δ DATUM AND BASIC DIMENSION ESTABLISHED BY CUSTOMER.
- Δ BASIC DIMENSION ESTABLISHED BY CUSTOMER, BUT MAY NOT BE GREATER THAN 9.27mm.
- Δ FOR HOLE SIZE AND PLATINGS, SEE SHEET 5.

2250866-1
 PART NUMBER


THIS DRAWING IS A CONTROLLED DOCUMENT AND COMPLIANT TO ASME Y14.5M		OWN: RICK LI 20JUN2023	TRP CONNECTOR a bel group DONGGUAN CHINA
DIMENSIONS: mm		CHK: CARBY WANG 20JUN2023	
TOLERANCES UNLESS OTHERWISE SPECIFIED:		APPD: TONY YUAN 20JUN2023	DESC: 2X6 S9HFG17LET 5G 4PPOE PRESSFIT W/O LED
0 PLC ± 1 PLC ± 2 PLC ±0.25 3 PLC ± 4 PLC ± ANGLES ± APPLICATION SPEC	MODEL NAME: MAGJACK STACK 4PPOE SIZE: A1 SCALE: NTS SHEET: 1 OF 6 REV: 1	RESTRICTED TO: CUSTOMER DRAWING	CAGE CODE: 2250866
PRODUCT SPEC: 108-104017			

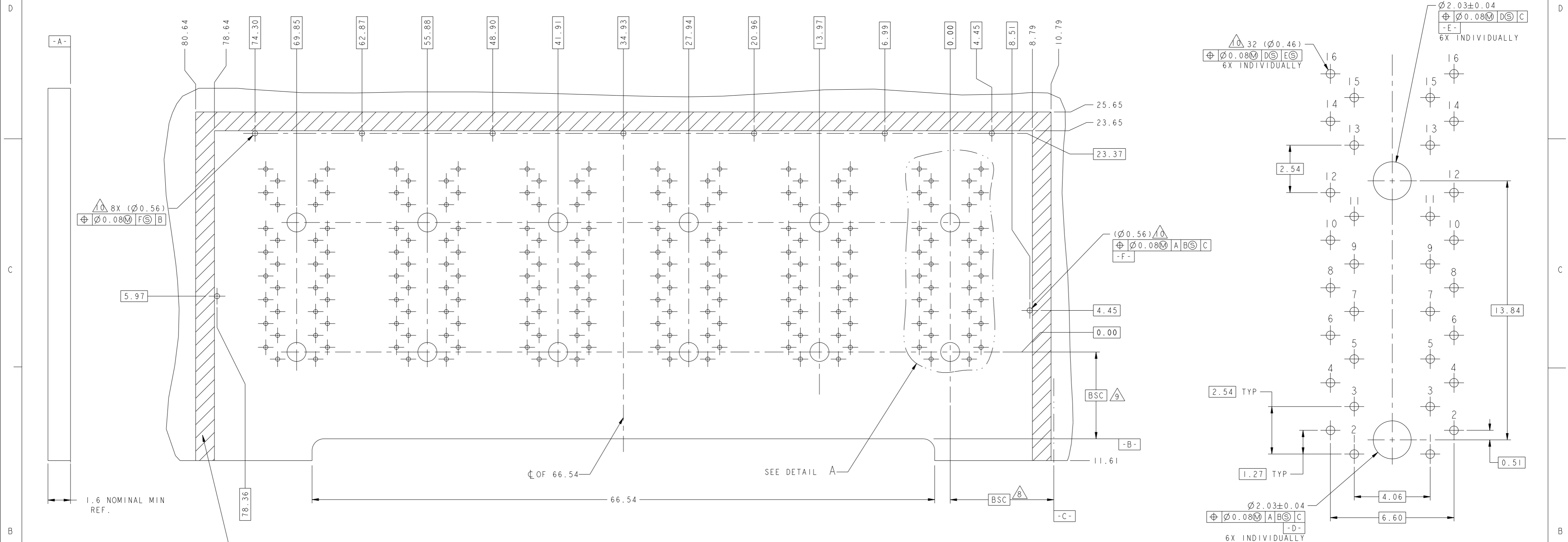


THIS DRAWING IS A CONTROLLED DOCUMENT. AND COMPLIANT TO ASME Y14.5M		DNW RICK LI 20JUN2023	 trp CONNECTOR a bel group DONGGUAN CHINA
DIMENSIONS: mm		CHK CAREY WANG 20JUN2023	
TOLERANCES UNLESS OTHERWISE SPECIFIED:		APPD TONY YUAN 20JUN2023	
0 PLC ± 1 PLC ± 2 PLC ±0.25 3 PLC ± 4 PLC ± ANGLES ± APPLICATION SPEC ±	MODEL NAME MAGJACK STACK 4PPOE	DESC 2X6 S9HFG17LET 5G 4PPOE PRESSFIT W/O LED	RESTRICTED TO
PRODUCT SPEC 108-104017	SCALE NTS	DRAWING NO 2250866	SHEET 2 OF 6 REV 1



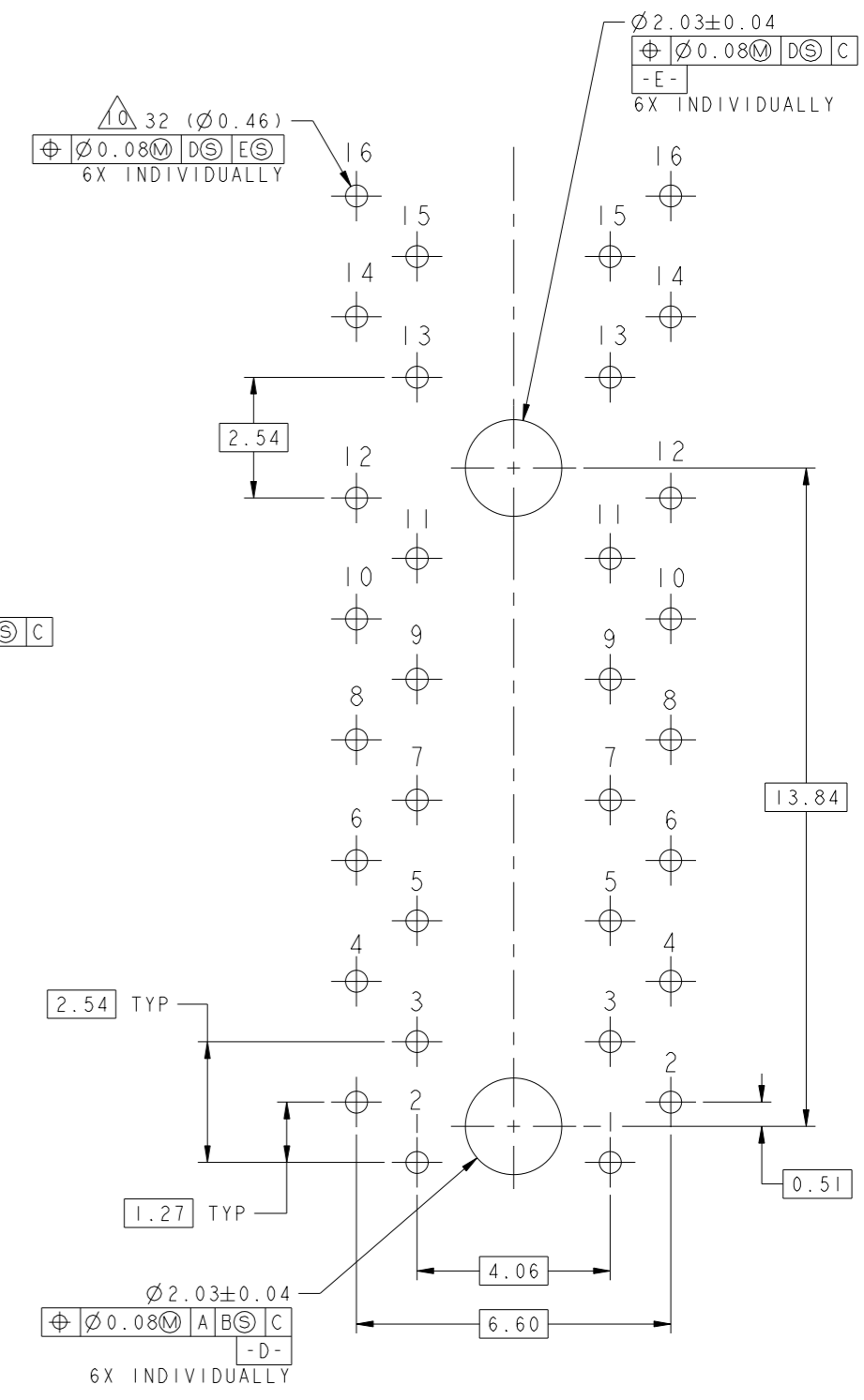
**PORT ASSIGNMENT
VIEWED FROM COMPONENT SIDE**

THIS DRAWING IS A CONTROLLED DOCUMENT. AND COMPLIANT TO ASME Y14.5M		DNW RICK LI 20JUN2023	 trp CONNECTOR DONGGUAN CHINA a bel group
DIMENSIONS: mm		CHK CAREY WANG 20JUN2023	
TOLERANCES UNLESS OTHERWISE SPECIFIED:		APPD TONY YUAN 20JUN2023	DESC 2X6 S9HFG17LET 5G 4PPOE PRESSFIT W/O LED
0 PLC ± 1 PLC ± 2 PLC ±0.25 3 PLC ± 4 PLC ± ANGLES ± APPLICATION SPEC ±		MODEL NAME MAGJACK STACK 4PPOE	SIZE CAGE CODE DRAWING NO A1 C=2250866
PRODUCT SPEC 108-104017		CUSTOMER DRAWING	RESTRICTED TO SCALE NTS SHEET 3 OF 6 REV I




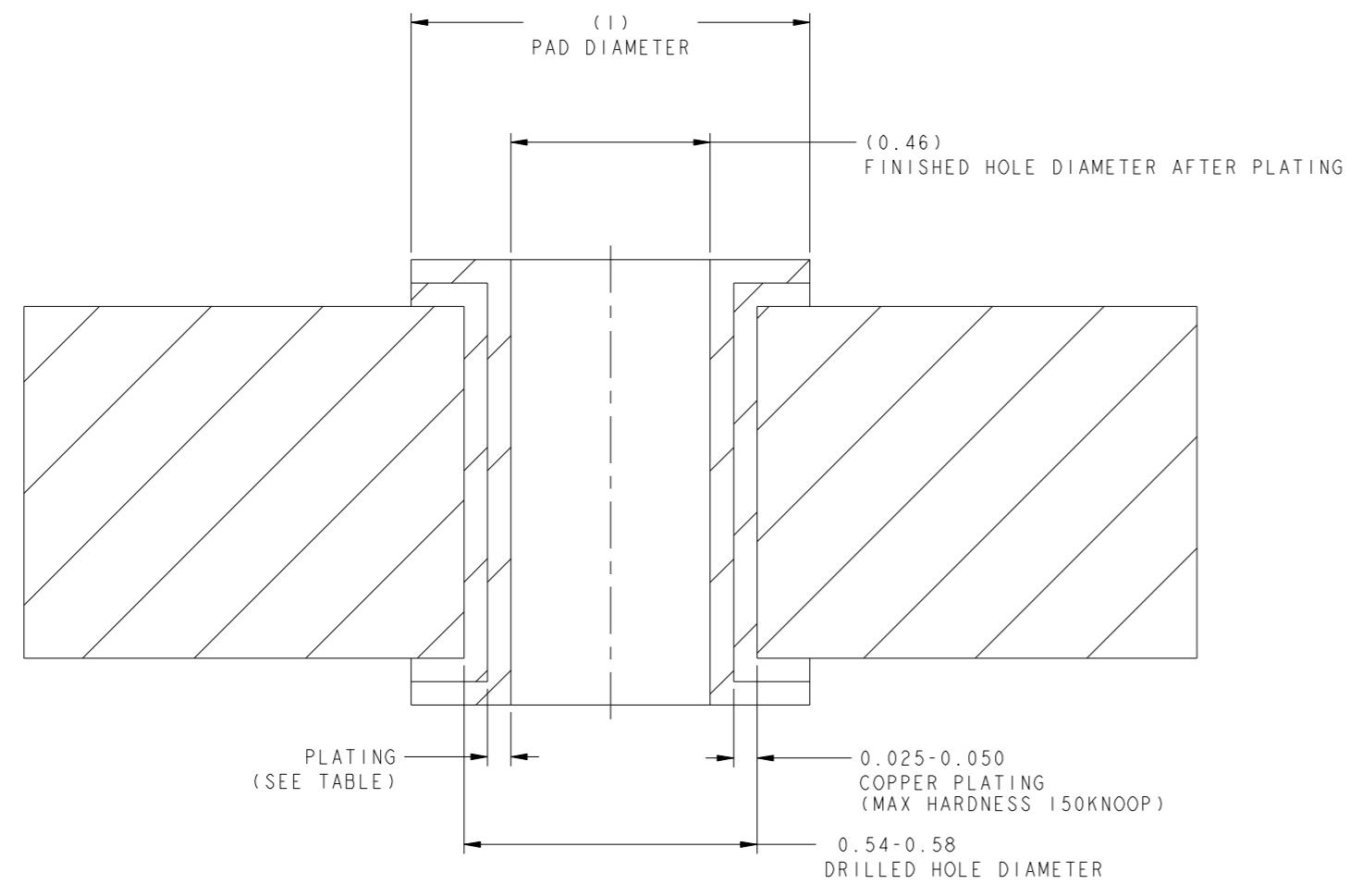
IT IS RECOMMENDED THAT SHADED AREA WHICH IS RESERVED TO PLACE EXTRACTION TOOL ON CUSTOMER PC BOARD BE CLEAR OF ANY COMPONENT, CIRCUIT TRACE EXCEPT GROUNDING TRACE

RECOMMENDED CUSTOMER PCB LAYOUT VIEWED FROM COMPONENT SIDE

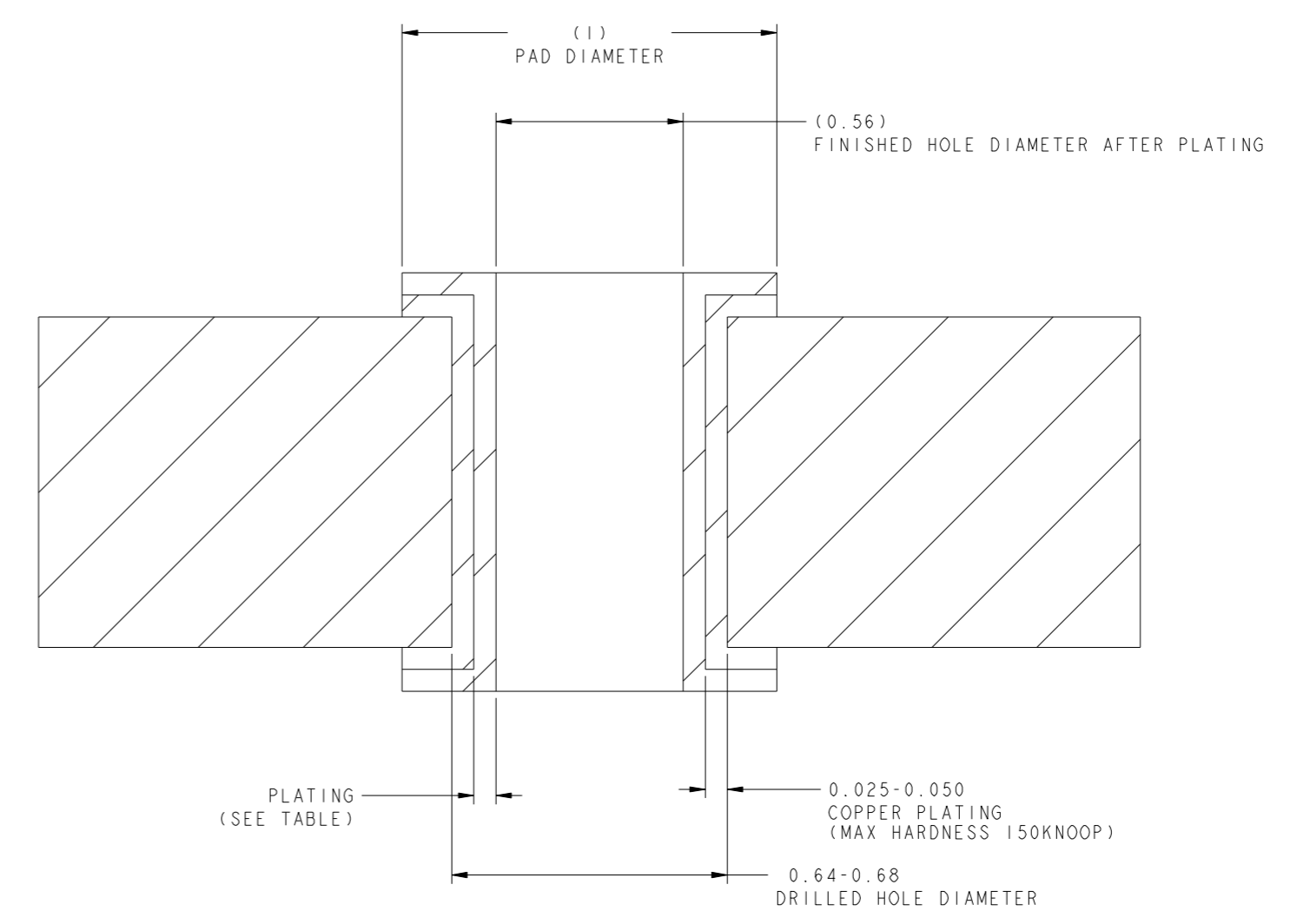


DETAIL A
BOARD PIN IDENTIFIERS
SCALE 10:1

THIS DRAWING IS A CONTROLLED DOCUMENT. AND COMPLIANT TO ASME Y14.5M		DNW RICK LI 20JUN2023	 trp CONNECTOR a bel group DONGGUAN CHINA	DESC 2X6 S9HFG17LET 5G 4PPoE PRESSFIT W/O LED
DIMENSIONS: mm		CHK CARY WANG 20JUN2023		
TOLERANCES UNLESS OTHERWISE SPECIFIED:		APPD TONY YUAN 20JUN2023	RESTRICTED TO	
0 PLC ± 1 PLC ± 2 PLC ±0.25 3 PLC ± 4 PLC ± ANGLES ± APPLICATION SPEC ±		MODEL NAME MAGJACK STACK 4PPOE	SIZE A1	CAGE CODE DRAWING NO C=2250866
PRODUCT SPEC 108-104017		CUSTOMER DRAWING		
		SCALE NTS	SHEET 4	REV 1



RECOMMENDED HOLE DIMENSIONS FOR SIGNAL CONTACTS



RECOMMENDED HOLE DIMENSIONS FOR SHIELD CONTACTS

THICKNESS	PLATING
0.004-0.010	HOT AIR SOLDER LEVELING (HASL) TIN-LEAD (Sn Pb)
0.0005-0.001	IMMERSION TIN (Sn)
0.0002-0.0005	ORGANIC SOLDERABILITY PRESERVATIVE (OSP)
0.0001-0.0005 Au, 0.004-0.0076 Ni	IMMERSION GOLD (Au) OVER NICKEL (Ni) (ENIG)
0.010-0.025	TIN LEAD PLATING (Sn Pb)
0.0001-0.00015	IMMERSION SILVER (Ag)


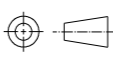
THIS DRAWING IS A CONTROLLED DOCUMENT AND COMPLIANT TO ASME Y14.5M

DIMENSIONS: mm 	TOLERANCES UNLESS OTHERWISE SPECIFIED: 0 PLC ± 1 PLC ± 2 PLC ±0.25 3 PLC ± 4 PLC ± ANGLES ± APPLICATION SPEC ±	DWN: RICK LI 20JUN2023 CHK: CARBY WANG 20JUN2023 APPR: TONY YUAN 20JUN2023 MODEL NAME: MAGJACK STACK 4PPOE	DESC: 2X6 S9HFG17LET 5G 4PPoE PRESSFIT W/O LED SIZE: A1 CAGE CODE: C=2250866 DRAWING NO: 108-104017 RESTRICTED TO: CUSTOMER DRAWING
-----------------------	---	--	---

trp CONNECTOR DONGGUAN CHINA
 a bel group

SCALE: NTS SHEET 5 OF 6 REV 1

2250866					STOCK DISPOSITION			
2X6 S9HFG17LET 5G 4PPoE PRESSFIT W/O LED					A: CONTINUE AS IS		D: USE OLD FIRST	
					B: REWORK		E: PARTS TO CONFORM	
					C: SCRAP		F: OTHER	
REVISION HISTORY								
DATE	REV	CHANGES	REASON	APPROVAL	INVENTORY (A,B,C,D,E,F)	WORK IN PROCESS (A,B,C,F)	SUPPLIER ORDERS (A,E,F)	OPEN CUST ORDERS (A,E,F)
20JUN2023	I	-	INITIAL RELEASE	TY	-	-	-	-

THIS DRAWING IS A CONTROLLED DOCUMENT. AND COMPLIANT TO ASME Y14.5M		DNW RICK LI 20JUN2023	 TRP CONNECTOR a bel group DONGGUAN CHINA
DIMENSIONS: mm		CHK CAREY WANG 20JUN2023	
TOLERANCES UNLESS OTHERWISE SPECIFIED: 0 PLC ± 1 PLC ± 2 PLC ±0.25 3 PLC ± 4 PLC ± ANGLES ±		APPD TONY YUAN 20JUN2023	
 PRODUCT SPEC 108-104017	APPLICATION SPEC MODEL NAME MAGJACK STACK 4PPOE	DESC 2X6 S9HFG17LET 5G 4PPoE PRESSFIT W/O LED SIZE CAGE CODE DRAWING NO A1 C=2250866	RESTRICTED TO SCALE NTS SHEET 6 OF 6 REV I