

RoHS



POWER | PROTECT | CONNECT

DOCUMENT / PART NO.: G14-88NV-010N

TITLE : PRODUCT SPECIFICATION

ISSUE	DESCRIPTION OF CHANGE	REVIEWED BY	APPROVED BY	ECN#
1	PRELIMINARY	TONY YUAN		

PAGE	1	2	3	4	5	6	7												
REV.	1	1	1	1	1	1	1												
PAGE																			
REV.																			

THE INFORMATION CONTAINED HEREIN IS CONSIDERED "PROPRIETARY" TO BEL FUSE INC. AND SHALL NOT BE COPIED, REPRODUCED OR DISCLOSED WITHOUT THE WRITTEN APPROVAL OF BEL FUSE INC.

PRELIMINARY



ELECTRICAL CHARACTERISTICS @ 25°C

URNS RATIO

TP1	1CT : 1CT
TP2	1CT : 1CT
TP3	1CT : 1CT
TP4	1CT : 1CT

INS. LOSS (MAX)

1MHz TO 20MHz	-0.8 dB
50MHz	-1.0 dB
200MHz	-1.2 dB
400MHz	-2.0 dB
500MHz	-3.0 dB

RET. LOSS (MIN) @ 100 OHMS

1MHz $\leq f \leq 40MHz$	16 dB MIN
40MHz <math>< f \leq 400MHz</math>	16-10LOG(f/40MHz) dB
400MHz <math>< f \leq 500MHz</math>	6-30LOG(f/400MHz) dB

CM TO CM REJ

1MHz - 500MHz	-25 dB MIN
---------------	------------

CM TO DM REJ

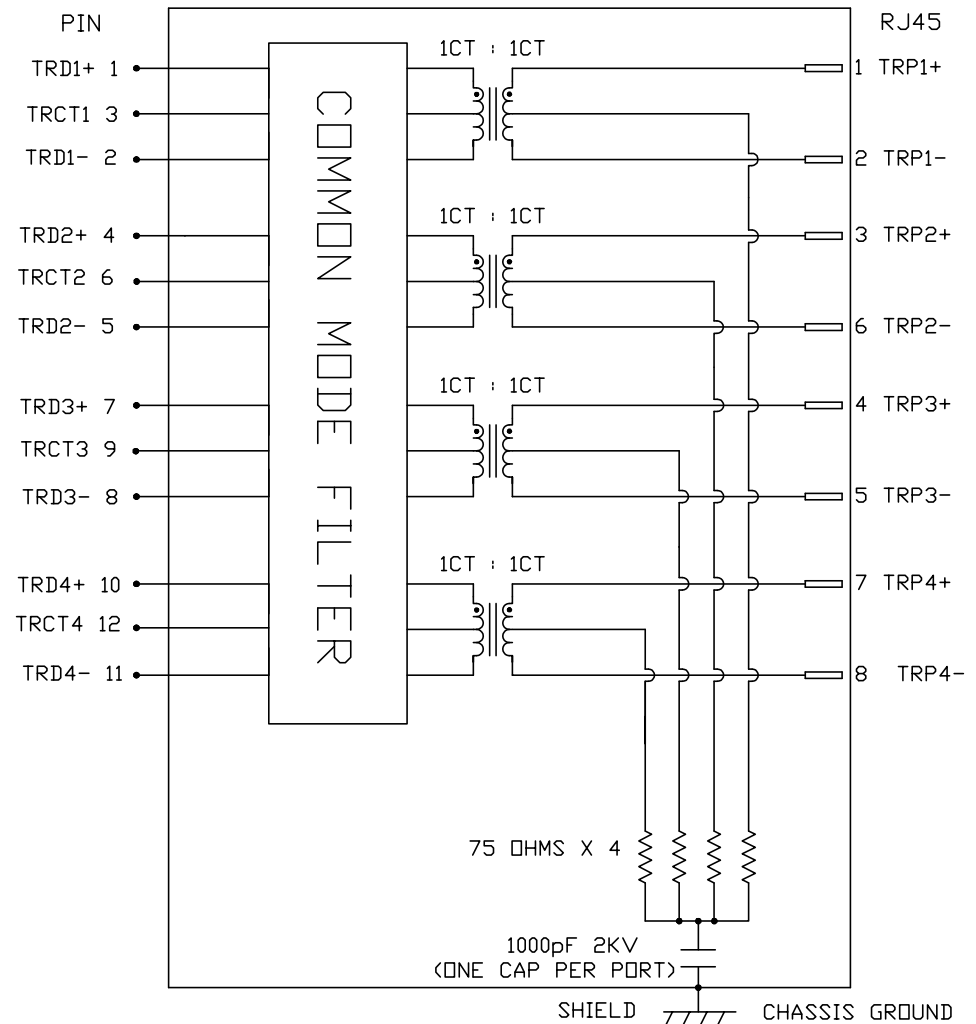
1MHz - 500MHz	-30 dB MIN
---------------	------------

HIPOT (Isolation Voltage): 2250VDC

100% OF PRODUCTION TESTED TO COMPLY WITH IEEE 802.3 ISOLATION REQUIREMENTS.

OPERATING TEMPERATURE: -40°C TO +85°C.

SCHEMATIC



ORIGINATED BY
BILL LIU
DATE 2024-07-16

DRAWN BY
TERRY LIN
DATE 2024-07-16

TITLE
2X4 10 Gigabit MagJack®
PATENTED

PART NO. / DRAWING NO.
G14-88NV-010N

FILE NAME
G14-88NV-010N_1.DWG

STANDARD DIM.	[] METRIC DIM.
TOL. IN INCH	AS REF.
.X	UNIT : INCH [mm]
.XX	SCALE : N/A
.XXX	SIZE : A4

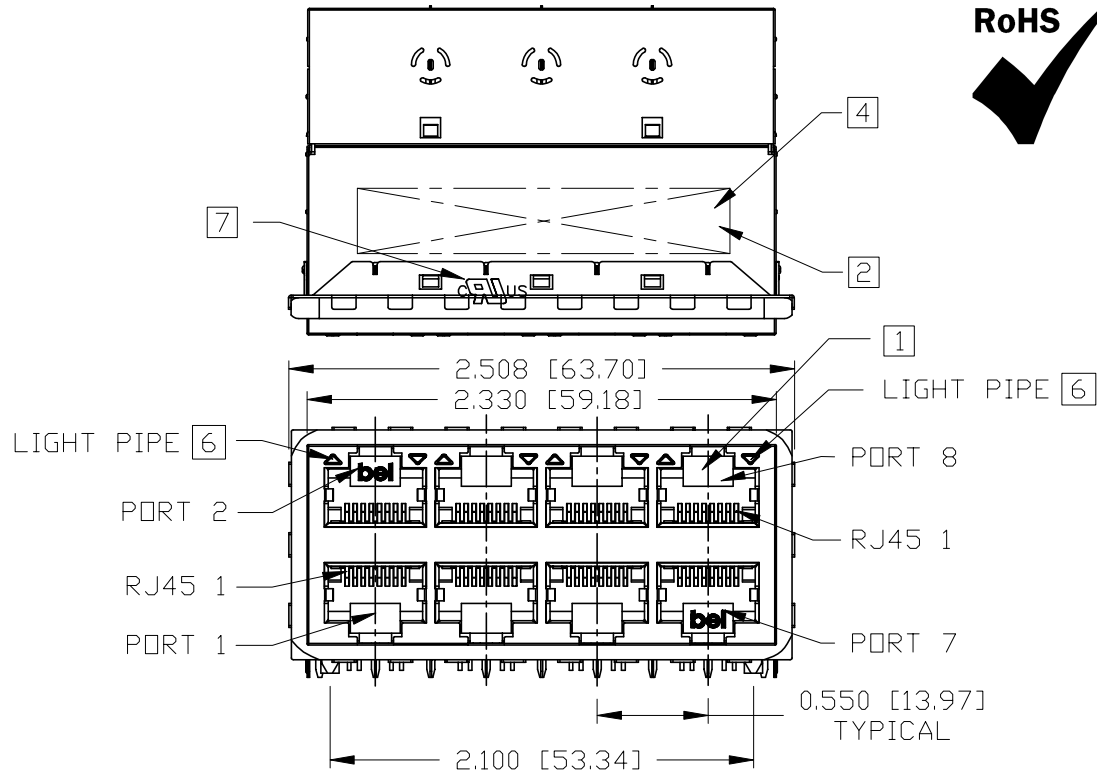
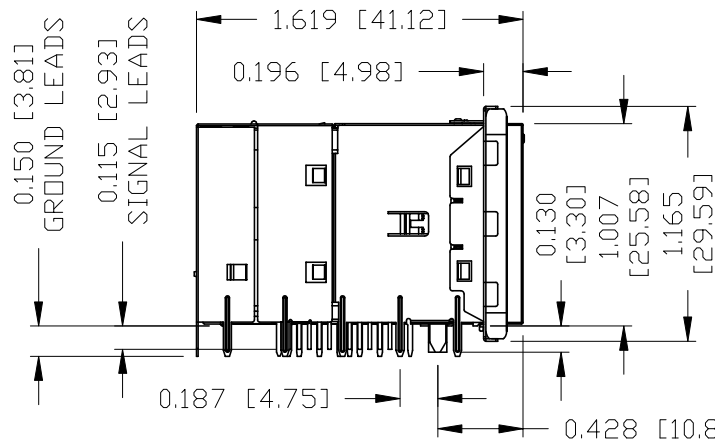
REV. : 1	PAGE : 2
-----------------	-----------------

a bel group

THE INFORMATION CONTAINED HEREIN IS CONSIDERED "PROPRIETARY" TO BEL FUSE INC. AND SHALL NOT BE COPIED, REPRODUCED OR DISCLOSED WITHOUT THE WRITTEN APPROVAL OF BEL FUSE INC.

PRELIMINARY

RoHS



NOTES:

- PLASTIC HOUSING: THERMOPLASTIC PBT, FLAMMABILITY RATING UL 94V-0
- CONTACT PLATING: 50 MICRO-INCH HARD GOLD PLATING OR EQUIVALENT
- OUTPUT PINS: TIN-COATED COPPER WIRE, DIA 0.018 INCH. 100 MICRO-INCH MIN MATTE TIN. PINS ARE SOLDER DIPPED.
- METAL SHIELD: NICKEL PLATED ON COPPER ALLOY. (ALL GROUND LEADS ARE SOLDER DIPPED)

- [1] JACK CAVITY CONFORMS TO FCC RULES AND REGULATIONS, PART 68 SUBPART F.
- [2] MARK PART WITH MFG LOGO, NAME, PART NUMBER AND DATE CODE.
- 3. THE PRODUCT IS RoHS COMPLIANT.

c US UL RECOGNIZED - FILE #E169987.

- [4] THE PRODUCT IS PATENTED. "PATENTED" MARKING IS ON THE TOP SURFACE. THE PATENT NUMBER ARE U.S. PAT. 7,429,195 & U.S. PAT. 6,840,817 & U.S. PAT. 7,924,130 AND U.S. PAT. 7,123,117.
- 5. THE AXIAL RETENTION FORCE OF RJ PORT IS 15LBS MIN.
- [6] THE FINISHED GOODS IS WITHOUT SMD LED. THE SMD LED IS PROVIDED BY CUSTOMER HERSELF. AND THE SMD LED IS MOUNTED ON CUSTOMER PCB.
- [7] THE UL LOGO IS ON THE TOP SURFACE OF METAL SHIELD, AND IT IS COVERED BY THE EMI FLANGE.

REV. : 1 PAGE : 3

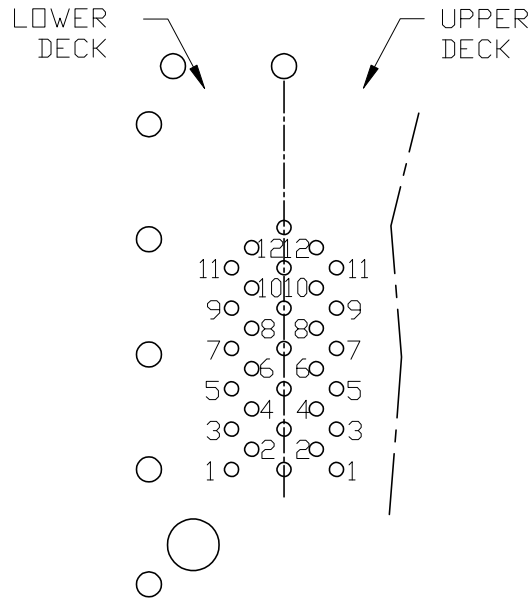
ORIGINATED BY TONY YUAN DATE 2024-07-16	TITLE 2X4 10 Gigabit MagJack® PATENTED	PART NO. / DRAWING NO. G14-88NV-010N		STANDARD DIM. TOL. IN INCH		[] METRIC DIM. AS REF.	
		FILE NAME G14-88NV-010N_1.DWG		.X		UNIT : INCH [mm]	
				.XX		SCALE : N/A	
				.XXX	±0.010	SIZE : A4	



THE INFORMATION CONTAINED HEREIN IS CONSIDERED "PROPRIETARY" TO BEL FUSE INC. AND SHALL NOT BE COPIED, REPRODUCED OR DISCLOSED WITHOUT THE WRITTEN APPROVAL OF BEL FUSE INC.

PRELIMINARY

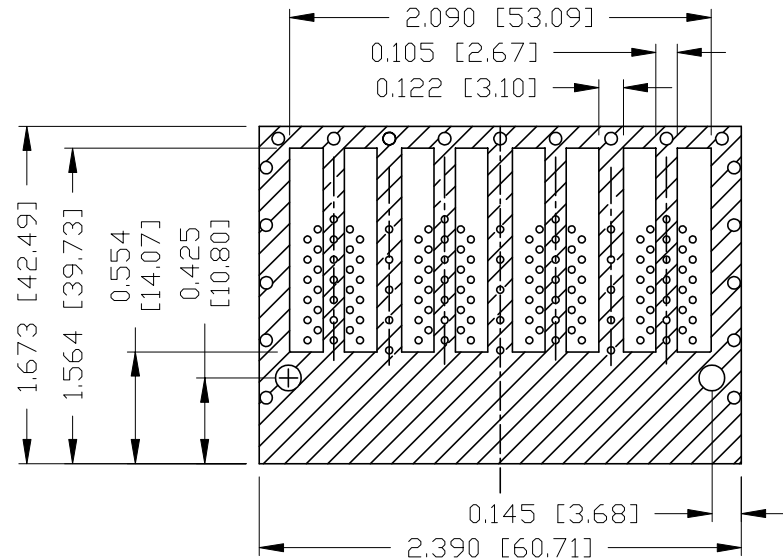
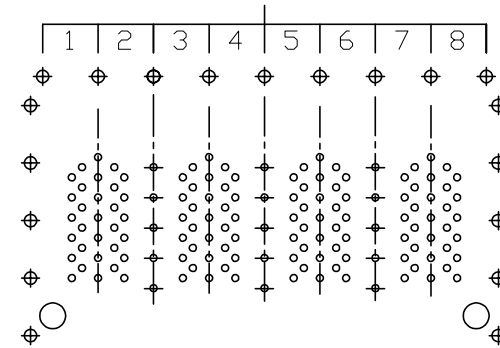
RoHS



PIN-OUT INFORMATION
(COMPONENT SIDE VIEW)

10	TRD4+		
9	TRCT3		
8	TRD3-		
7	TRD3+		
6	TRCT2		
5	TRD2-		
4	TRD2+		
3	TRCT1		
2	TRD1-	12	TRCT4
1	TRD1+	11	TRD4-

PORT ASSIGNMENT
(COMPONENT SIDE VIEW)



THE SHADED AREA ON THE CUSTOMER BOARD ARE RECOMMENDED TO BE CLEAR OFF ANY VIA HOLE OR

REV. : 1 PAGE : 4

ORIGINATED BY
TONY YUAN
DATE 2024-07-16

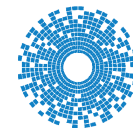
DRAWN BY
RICK LI
DATE 2024-07-16

TITLE
2X4 10 Gigabit MagJack®
PATENTED

PART NO. / DRAWING NO.
G14-88NV-010N

FILE NAME
G14-88NV-010N_1.DWG

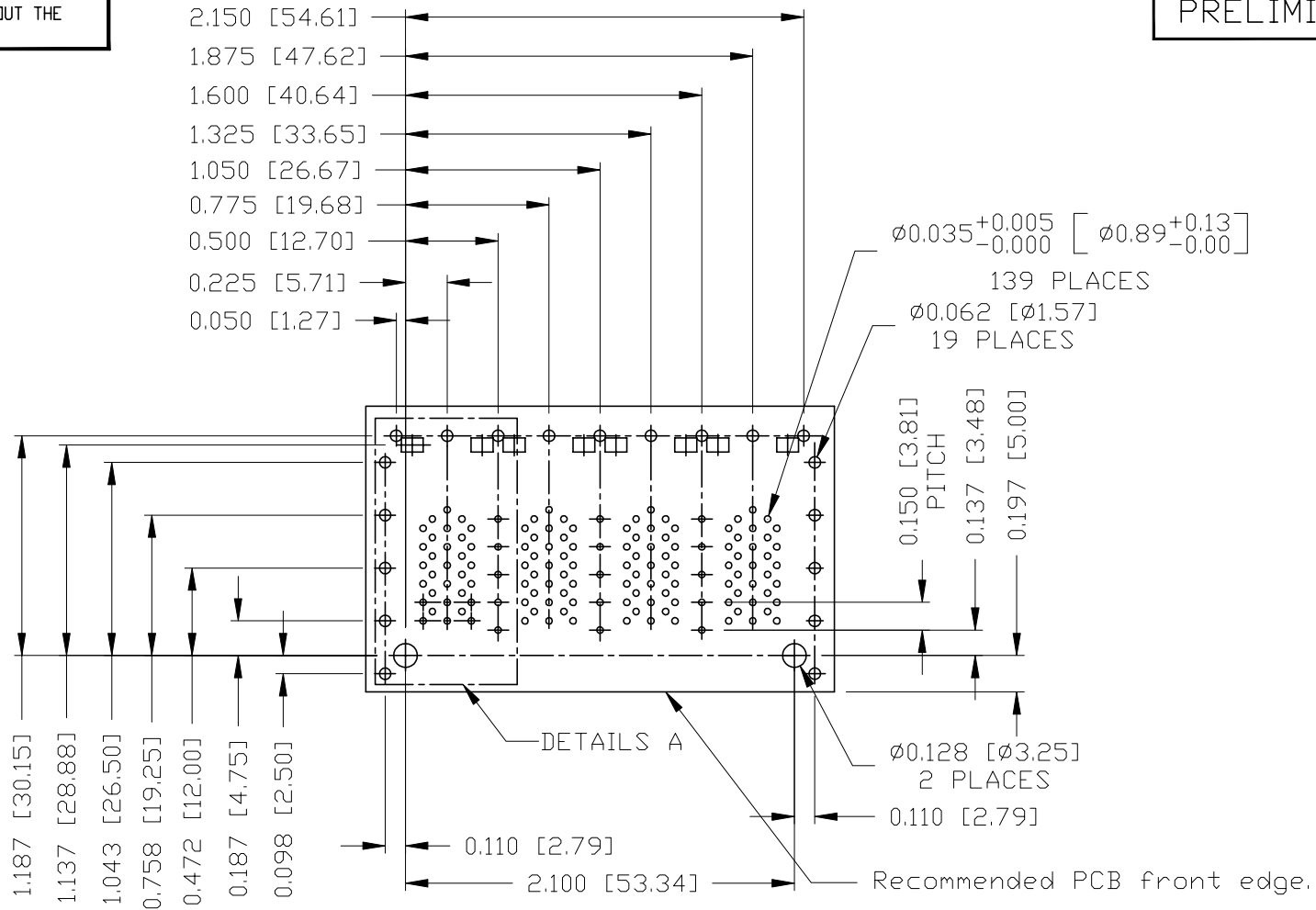
STANDARD DIM.	[] METRIC DIM.
TOL. IN INCH	AS REF.
.X	UNIT : INCH [mm]
.XX	SCALE : N/A
.XXX	±0.004
	SIZE : A4



bel MAGNETIC SOLUTIONS
a bel group

THE INFORMATION CONTAINED HEREIN IS CONSIDERED "PROPRIETARY" TO BEL FUSE INC. AND SHALL NOT BE COPIED, REPRODUCED OR DISCLOSED WITHOUT THE WRITTEN APPROVAL OF BEL FUSE INC.

PRELIMINARY



SUGGESTED FOOTPRINT
(COMPONENT SIDE VIEW)

REV. : 1 PAGE : 5

ORIGINATED BY
TONY YUAN
DATE 2024-07-16
DRAWN BY
RICK LI
DATE 2024-07-16

TITLE
2X4 10 Gigabit MagJack®
PATENTED

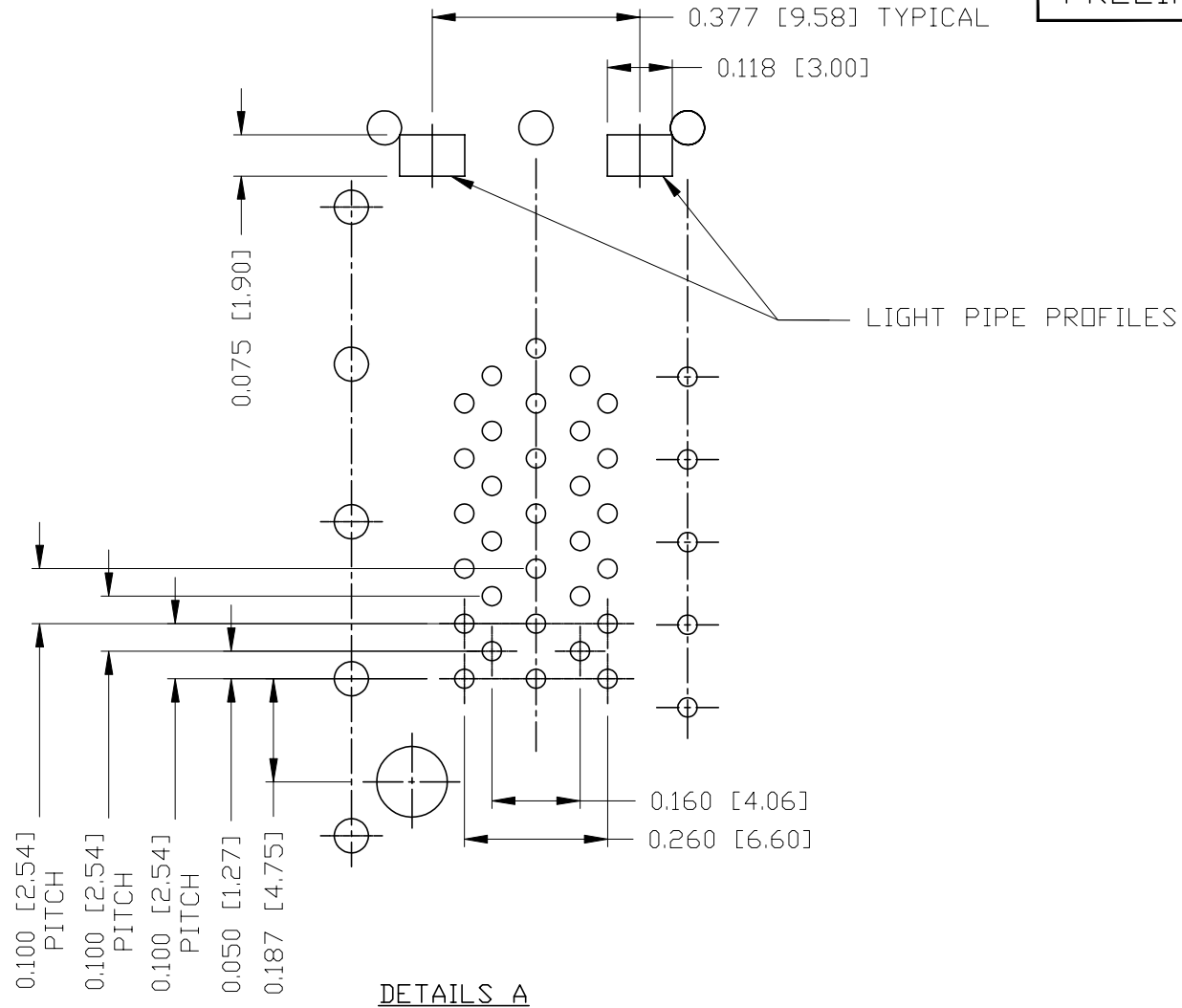
PART NO. / DRAWING NO.
G14-88NV-010N
FILE NAME
G14-88NV-010N_1.DWG

STANDARD DIM. TOL. IN INCH		[] METRIC DIM. AS REF.
.X		UNIT : INCH [mm]
.XX		SCALE : N/A
.XXX	±0.004	SIZE : A4



THE INFORMATION CONTAINED HEREIN IS CONSIDERED "PROPRIETARY" TO BEL FUSE INC. AND SHALL NOT BE COPIED, REPRODUCED OR DISCLOSED WITHOUT THE WRITTEN APPROVAL OF BEL FUSE INC.

PRELIMINARY



ORIGINATED BY
TONY YUAN
DATE 2024-07-16
DRAWN BY
RICK LI
DATE 2024-07-16

TITLE
2X4 10 Gigabit MagJack®
PATENTED

PART NO. / DRAWING NO.
G14-88NV-010N
FILE NAME
G14-88NV-010N_1.DWG

STANDARD DIM. TOL. IN INCH		[] METRIC DIM. AS REF.
.X		UNIT : INCH [mm]
.XX		SCALE : N/A
.XXX	±0.004	SIZE : A4

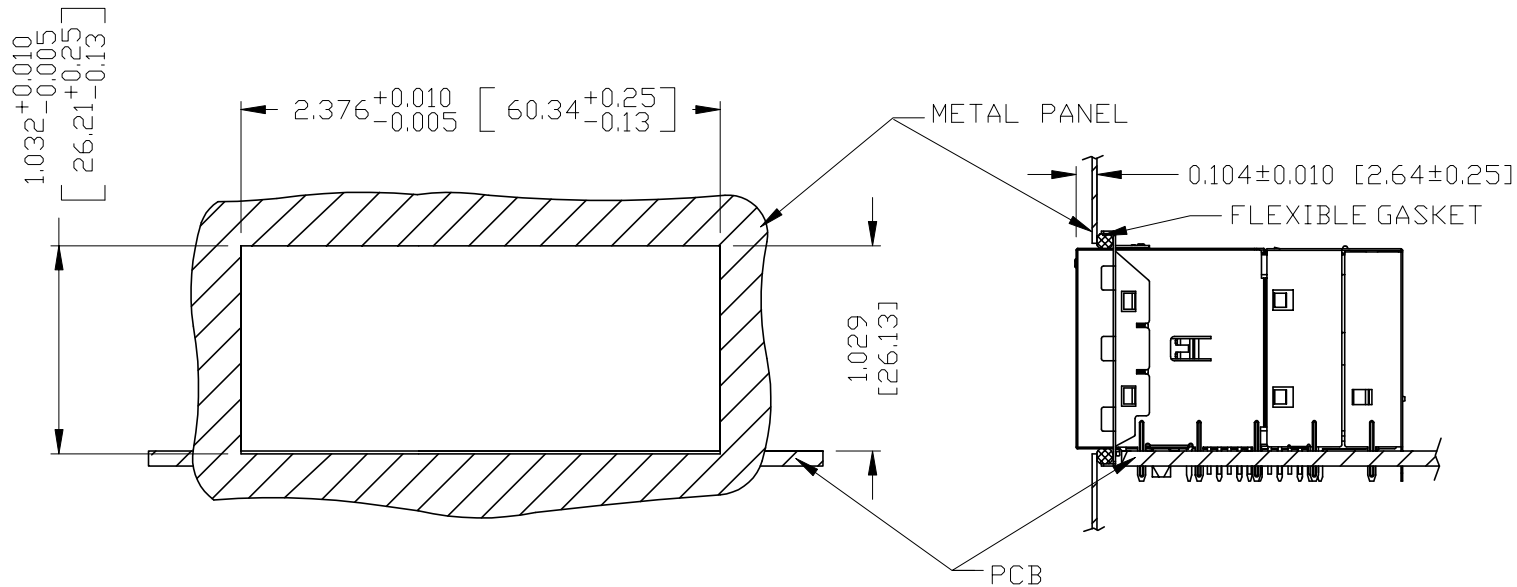
REV. : 1 PAGE : 6



THE INFORMATION CONTAINED HEREIN IS CONSIDERED "PROPRIETARY" TO BEL FUSE INC. AND SHALL NOT BE COPIED, REPRODUCED OR DISCLOSED WITHOUT THE WRITTEN APPROVAL OF BEL FUSE INC.

SUGGESTED PANEL OPENING

PRELIMINARY



NOTES:

1. THE DISTANCE OF PANEL INSIDE SURFACE RELATIVE TO FRONT SURFACE OF PART IS ONLY A SUGGESTION. IN CASE THIS DISTANCE IS DIFFERENT, THE REQUIRED PANEL OPENING DIMENSIONS CHANGE ACCORDINGLY.
2. RECOMMENDED COMPRESSION OF THE FLEXIBLE GASKET MATERIAL OF 25%.
3. RECOMMENDED FLEXIBLE GASKET THICKNESS BEFORE COMPRESSION IS 0.103 INCH.
4. THE FLEXIBLE GASKET CAN BE ORDERD SEPARATELY VIA PART NUMBER 0080M1700-04.

PACKING INFORMATION

PACKING TRAY : 0200M9999-L1 (TOP)
0200M9999-L0 (BOTTOM)

PACKING QUANTITY : 12 PCS FINISHED GOODS PER TRAY.
7 TRAYS (84 PCS FINISHED GOODS) PER CARTON BOX.


REMARK : CARDBOARDS ARE PLACED BETWEEN LAYERS OF PACKING TRAY INSIDE CARTON BOX.
(INCLUDE THE UPPERMOST AND LOWERMOST TRAY)

REV. :	1	PAGE :	7
--------	---	--------	---

ORIGINATED BY TONY YUAN DATE 2024-07-16	TITLE 2X4 10 Gigabit MagJack® PATENTED
DRAWN BY RICK LI DATE 2024-07-16	

PART NO. / DRAWING NO. G14-88NV-010N
FILE NAME G14-88NV-010N_1.DWG

STANDARD DIM. TOL. IN INCH	[] METRIC DIM. AS REF.
.X	UNIT : INCH [mm]
.XX	SCALE : N/A
.XXX ±0.005	SIZE : A4

	
a bel group	