

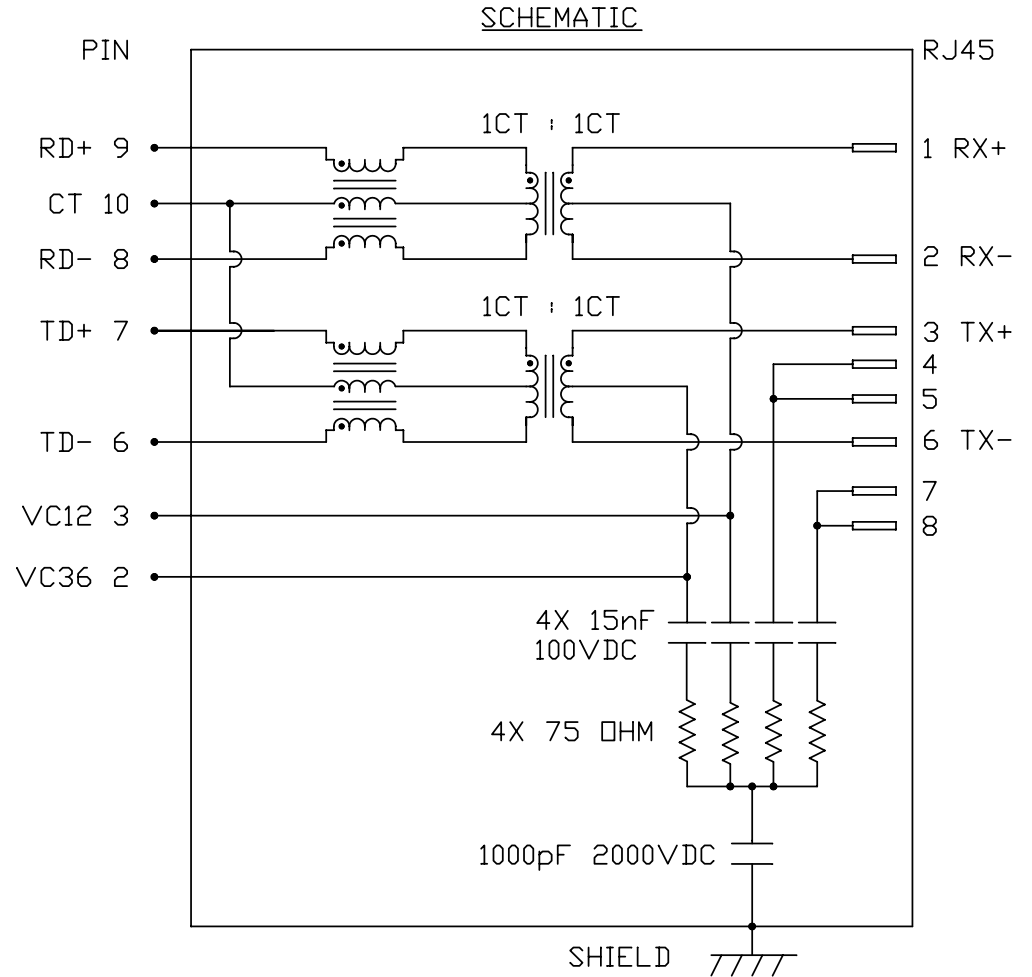
THE INFORMATION CONTAINED HEREIN IS CONSIDERED "PROPRIETARY" TO BEL FUSE INC. AND SHALL NOT BE COPIED, REPRODUCED OR DISCLOSED WITHOUT THE WRITTEN APPROVAL OF BEL FUSE INC.

RoHS



ELECTRICAL CHARACTERISTICS @ 25°C

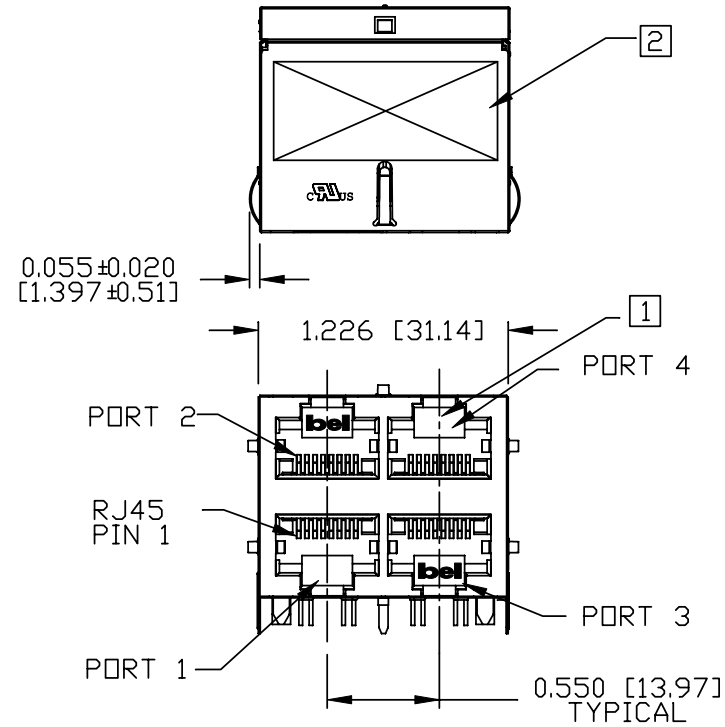
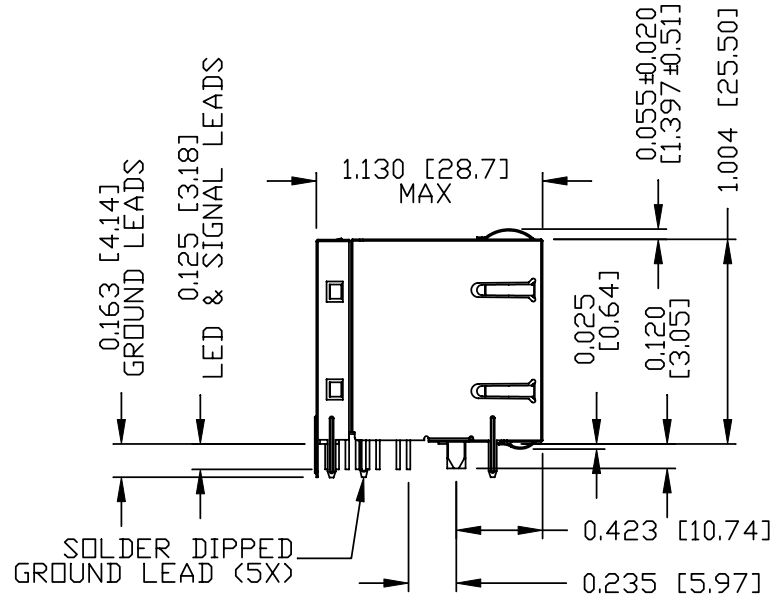
URNS RATIO	1CT : 1CT ±2%
QCL @ 0.1V, 100KHz 8mA DC BIAS	350µH MIN.
INSERTION LOSS 100KHz TO 100MHz	-1.5 dB MAX.
RETURN LOSS (MIN.) 2MHz-30MHz 60MHz-80MHz	-16 dB MIN. -10 dB MIN.
LEAKAGE INDUCTANCE PRIMARY W/ SECONDARY SHORTED	0.25 µH MAX. @ 1MHz
D.C. RESISTANCE (9-8)=(7-6) (RJ1-RJ2)=(RJ3-RJ6)	1.4 ΩHM, 1.0 ΩHM.
INTERWINDING CAPACITANCE PER CHANNEL (PRI. to SEC.)	40 pF MAX.
XTALK 100KHz TO 100MHz	-30 dB MIN.
HIPOT (Isolation Voltage): 100% OF PRODUCTION TESTED TO COMPLY WITH IEEE 802.3 ISOLATION REQUIREMENTS.	2250 VDC
OPERATING TEMPERATURE:	-40 TO 85 °C



ORIGINATED BY CHOW WANCHUNG	DATE 2012-08-17	TITLE 2X2 MagJack® (VIOIP WITH EXT TEMPERATURE)	PART NO. / DRAWING NO. 08332X2RAS-F	STANDARD DIM. TOL. IN INCH		[] METRIC DIM. AS REFERENCE		bel
				.X		UNIT : INCH [mm]	REV. : B	
DRAWN BY TAN QIGUANG	DATE 2012-08-17	0833-2X2R-AS-F PATENTED	FILE NAME 08332X2RAS-F_B.DWG	.XX		SCALE : N/A	SIZE : A4	COMPONENTS FOR A CONNECTED PLANET
				.XXX			PAGE : 2	

THE INFORMATION CONTAINED HEREIN IS CONSIDERED "PROPRIETARY" TO BEL FUSE INC. AND SHALL NOT BE COPIED, REPRODUCED OR DISCLOSED WITHOUT THE WRITTEN APPROVAL OF BEL FUSE INC.

RoHS



NOTES:

- PLASTIC HOUSING: THERMOPLASTIC PBT
FLAMMABILITY RATING UL 94V-0
- CONTACT PLATING: 50 MICRO-INCH HARD GOLD PLATING OR EQUIVALENT.
- OUTPUT PINS: TIN-COATED COPPER WIRE, DIA 0.018 INCH.
- METAL SHIELD: NICKEL PLATED ON COPPER ALLOY.
(ALL GROUND LEADS ARE SOLDER DIPPED)

1. JACK CAVITY CONFORMS TO FCC RULES AND REGULATIONS, PART 68 SUBPART F.
2. MARK PART WITH MFG LOGO, MFG NAME, PART NUMBER, DATE CODE AND PATENTED.
3. THE PRODUCT IS RoHS COMPLIANT.

c USUL RECOGNIZED - FILE #E196366 AND E169987.

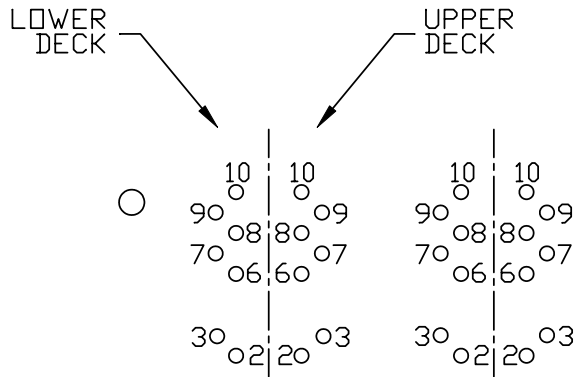
4. THE PRODUCT IS PATENTED. THE PATENT NUMBER ARE U.S. PAT. 5,736,910 AND U.S. PAT. 6,840,817 AND U.S. PAT. 7,123,117.

ORIGINATED BY ANTON LIAO	DATE 2012-08-17	TITLE 2X2 MagJack® (VIOIP WITH EXT TEMPERATURE) 0833-2X2R-AS-F PATENTED	PART NO. / DRAWING NO. 08332X2RAS-F	STANDARD DIM. TOL. IN INCH	[] METRIC DIM. AS REFERENCE	
			FILE NAME 08332X2RAS-F_B.DWG	.X .XX .XXX	UNIT : INCH [mm] SCALE : N/A 	REV. : B SIZE : A4 PAGE : 3
DRAWN BY HE ZHEN	DATE 2012-08-17			±0.010		



THE INFORMATION CONTAINED HEREIN IS CONSIDERED "PROPRIETARY" TO BEL FUSE INC. AND SHALL NOT BE COPIED, REPRODUCED OR DISCLOSED WITHOUT THE WRITTEN APPROVAL OF BEL FUSE INC.

RoHS

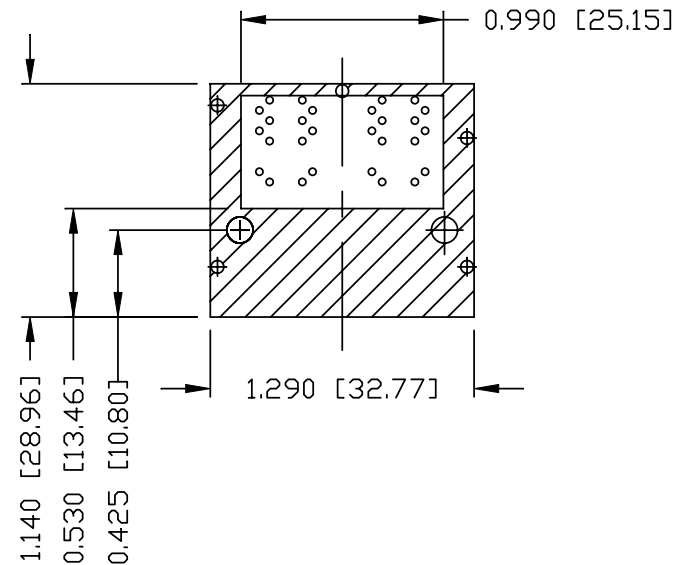
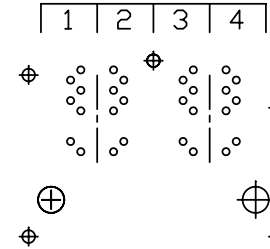


PIN-OUT INFORMATION
(COMPONENT SIDE VIEW)

10	COMMON CT
9	RD+
8	RD-
7	TD+
6	TD-
5	NO PIN
4	NO PIN
3	VC12
2	VC36
1	NO PIN

UNUSED PIN LOCATIONS MUST BE REMOVED TO ENSURE 2KV ISOLATION.

PORT ASSIGNMENT
(COMPONENT SIDE VIEW)

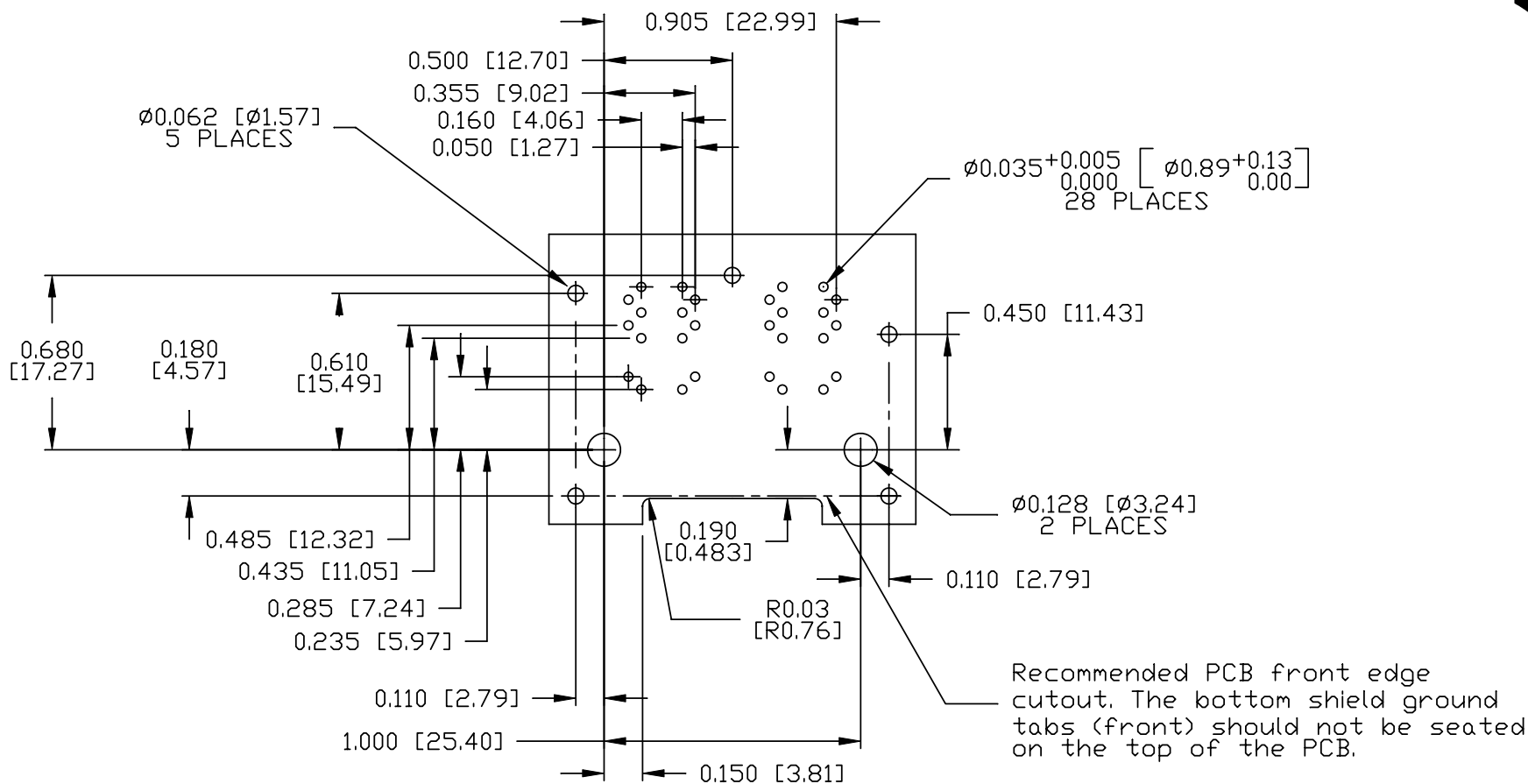


THE SHADED AREA ON THE CUSTOMER BOARD ARE RECOMMENDED TO BE CLEAR OFF ANY VIA HOLE OR COMPONENT PAD.

ORIGINATED BY ANTON LIAO	DATE 2012-08-17	TITLE 2X2 MagJack® (VIOIP WITH EXT TEMPERATURE) 0833-2X2R-AS-F PATENTED	PART NO. / DRAWING NO. 08332X2RAS-F	STANDARD DIM. TOL. IN INCH	[] METRIC DIM. AS REFERENCE	
				.X .XX .XXX	UNIT : INCH [mm] SCALE : N/A ⊕	REV. : B SIZE : A4 PAGE : 4
DRAWN BY HE ZHEN	DATE 2012-08-17		FILE NAME 08332X2RAS-F_B.DWG	±0.004	 bel COMPONENTS OR A CONNECTED PLANET	

THE INFORMATION CONTAINED HEREIN IS CONSIDERED "PROPRIETARY" TO BEL FUSE INC. AND SHALL NOT BE COPIED, REPRODUCED OR DISCLOSED WITHOUT THE WRITTEN APPROVAL OF BEL FUSE INC.

RoHS



SUGGESTED FOOTPRINT
(COMPONENT SIDE VIEW)

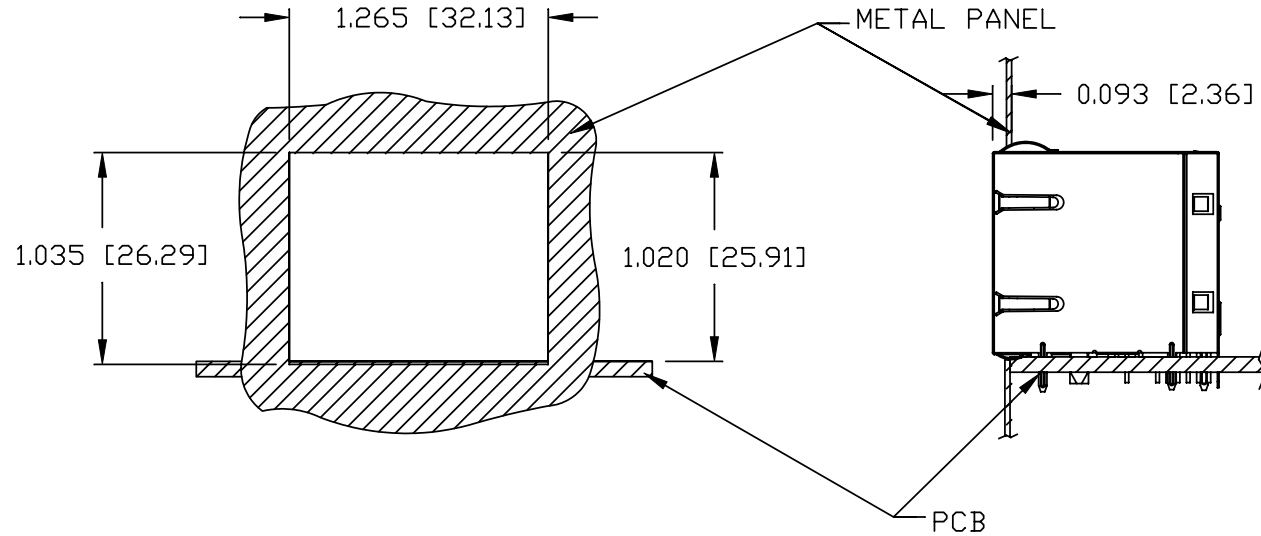
ORIGINATED BY ANTON LIAO	DATE 2012-08-17	TITLE 2X2 MagJack® (VIOP WITH EXT TEMPERATURE) 0833-2X2R-AS-F PATENTED	PART NO. / DRAWING NO. 08332X2RAS-F	STANDARD DIM. TOL. IN INCH	[] METRIC DIM. AS REFERENCE		
	DRAWN BY HE ZHEN		DATE 2012-08-17	FILE NAME 08332X2RAS-F_B.DWG	.X .XX .XXX	UNIT : INCH [mm]	REV. : B
				±0.004	SCALE : N/A	SIZE : A4	
						PAGE : 5	

THE INFORMATION CONTAINED HEREIN IS CONSIDERED "PROPRIETARY" TO BEL FUSE INC. AND SHALL NOT BE COPIED, REPRODUCED OR DISCLOSED WITHOUT THE WRITTEN APPROVAL OF BEL FUSE INC.

RoHS



SUGGESTED PANEL OPENING



NOTE:

THE DISTANCE OF PANEL INSIDE SURFACE RELATIVE TO FRONT SURFACE OF PART IS ONLY A SUGGESTION. IN CASE THIS DISTANCE IS DIFFERENT, THE REQUIRED PANEL OPENING DIMENSIONS CHANGE ACCORDINGLY.

PACKING INFORMATION

PACKING TRAY : 0200-9999-P5 (TOP)
0200-9999-P6 (BOTTOM)

PACKING QUANTITY : 28 PCS FINISHED GOODS PER TRAY
7 TRAYS (196 PCS FINISHED GOODS) PER CARTON BOX

NOTE : CARDBOARDS ARE PLACED BETWEEN LAYERS OF PACKING TRAY INSIDE CARTON BOX
(INCLUDE THE UPPERMOST AND LOWERMOST TRAY)

ORIGINATED BY	DATE	TITLE	PART NO. / DRAWING NO.	STANDARD DIM. TOL. IN INCH	[] METRIC DIM. AS REFERENCE
ANTON LIAO	2012-08-17	2X2 MagJack® (VIOP WITH EXT TEMPERATURE)	08332X2RAS-F	.X	UNIT : INCH [mm] REV. : B
DRAWN BY	DATE	0833-2X2R-AS-F PATENTED	FILE NAME	.XX	SCALE : N/A SIZE : A4
HE ZHEN	2012-08-17		08332X2RAS-F_B.DWG	.XXX ±0.004	SCALE : N/A SIZE : A4 PAGE : 6

