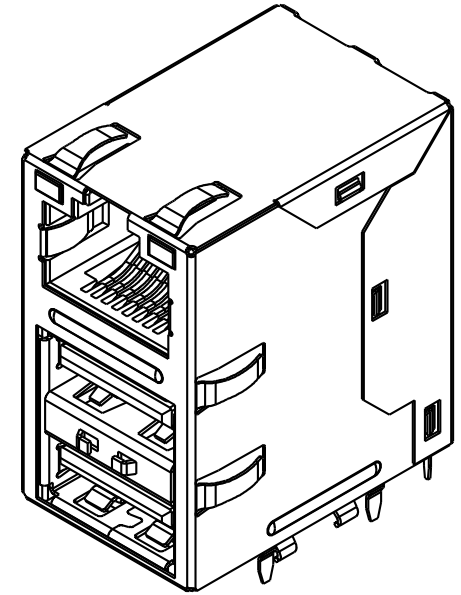
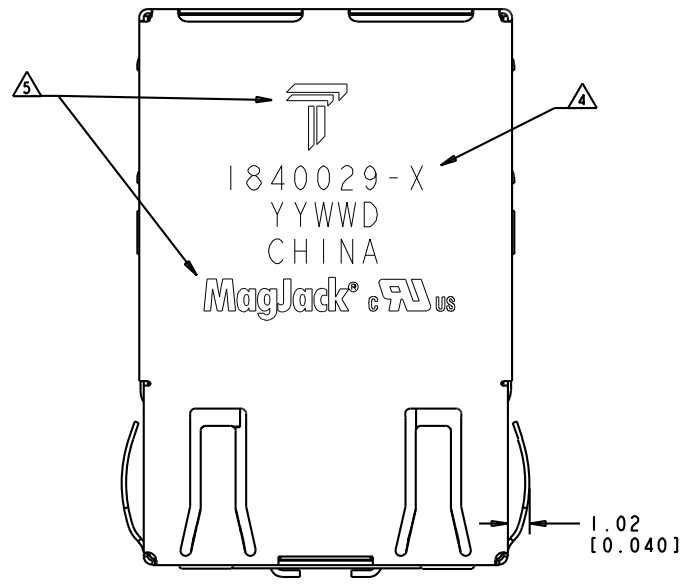


8 7 6 5 4 3 2 1
 THIS DRAWING AND THE SUBJECT MATTER SHOWN THEREON ARE CONFIDENTIAL AND THE PROPERTY OF BEL/STEWART/TRP CONNECTOR AND SHALL NOT BE REPRODUCED, COPIED, OR USED IN ANY MANNER WITHOUT THE WRITTEN CONSENT OF TRP CONNECTOR.

PRODUCT MAY BE PROTECTED BY ONE OR MORE OF THE FOLLOWING US PATENTS:
 5736910 5939955 6425781 6428361 6554638 6840817 7123117
 7429195 7717749 7808751 6217391 6149050 7924130

REVISIONS				
REV	DATE	BY	APPV	DESCRIPTION
D	06 JAN 2015	JC	TY	EC-1411035, LOGO CHANGE



SCALE 4:1

1. USB MATERIALS:
 SHELL: PHOSPHOR BRONZE
 HOUSING: BLACK, THERMOPLASTIC, GLASS FILLED, UL 94V-0 RATED
 CONTACT: PHOSPHOR BRONZE WITH SELECTIVE 0.76um MIN GOLD PLATING
 SPRING CLIP: PHOSPHOR BRONZE
- RJ45 MATERIALS:
 HOUSING: BLACK, THERMOPLASTIC FLAMMABILITY RATING UL 94V-0
 SHIELD: BRASS, PREPLATED WITH 0.76um SEMI-BRIGHT NICKEL,
 POST DIPPED WITH 2.54um MIN SAC SOLDER ON SOLDER TAILS.
 CONTACTS: PHOSPHOR BRONZE, 0.30mm THK, 1.27um MIN OVERALL NICKEL
 UNDERPLATE WITH SELECT 1.27um MIN GOLD AT MATING INTERFACE
 AND 2.54um MIN MATTE TIN AND/OR SAC SOLDER ON SOLDER TAILS.
- LED: DIFFUSED EPOXY LENS, 0.5 X 0.5 CARBON STEEL WIREFRAME
 LEADS PREPLATED WITH 2.03um MIN SILVER OVER 1.02um MIN NICKEL
 UNDERPLATE OVER 1.02um COPPER UNDERPLATE. POST-PLATED WITH
 2.54um MIN MATTE TIN AND/OR SAC SOLDER DIP OR PURE TIN SOLDER DIP.

2. MAGNETICS
 -APPLICATION : 10/100/1000 BASE-T
 -IMPEDANCE: 100 OHMS
 -TURNS RATIO(CHIP:CABLE): 1:1 ALL FOUR PAIRS
 -OPEN CIRCUIT INDUCTANCE(OCL): 350uH MIN @100kHz, 0.1 VRMS,
 8mADC BIAS FROM 0°C TO 70°C, ALL FOUR PAIRS
 -RISE TIME (10%-90%): 2.5ns TYPICAL;
 -ALL FOUR PAIRS BI-DIRECTIONAL
 -PERFORMANCE @ 25°C:
 INSERTION LOSS (IL): 1.1 dB MAX FROM 0.5MHz TO 100MHz
 RETURN LOSS (RL): 18dB MIN FROM 0.5MHz TO 40MHz
 12-20LOG(f/80)dB MIN FROM 40.1 MHz TO 100MHz
 CROSSTALK ATTENUATION: 35 dB MIN FROM 0.5 MHz TO 40 MHz
 33-20LOG(f/50) dB MIN FROM 40.1 MHz TO 100 MHz
 COMMON MODE REJECTION RATIO (CMRR): 30dB MIN FROM 0.5MHz TO 100MHz
 -ISOLATION VOLTAGE: COMPLIES WITH IEEE802.3 2002, PARA 40.6.1.1, ITEM b.

3. OPERATING TEMPERATURE: 0°C TO + 70°C.

4. PART NUMBER, DATE CODE AND COUNTRY OF ORIGIN TO BE LOCATED IN APPROXIMATE AREA SHOWN. DATE CODE: YYWW "YY" IS YEAR, "WW" IS WORK WEEK, "D" IS DAY OF WEEK, WITH SUNDAY=1.

5. AGENCY APPROVAL LOGO, TRP CONNECTOR LOGO AND PRODUCT LOGO LOCATED IN APPROXIMATE AREA SHOWN.

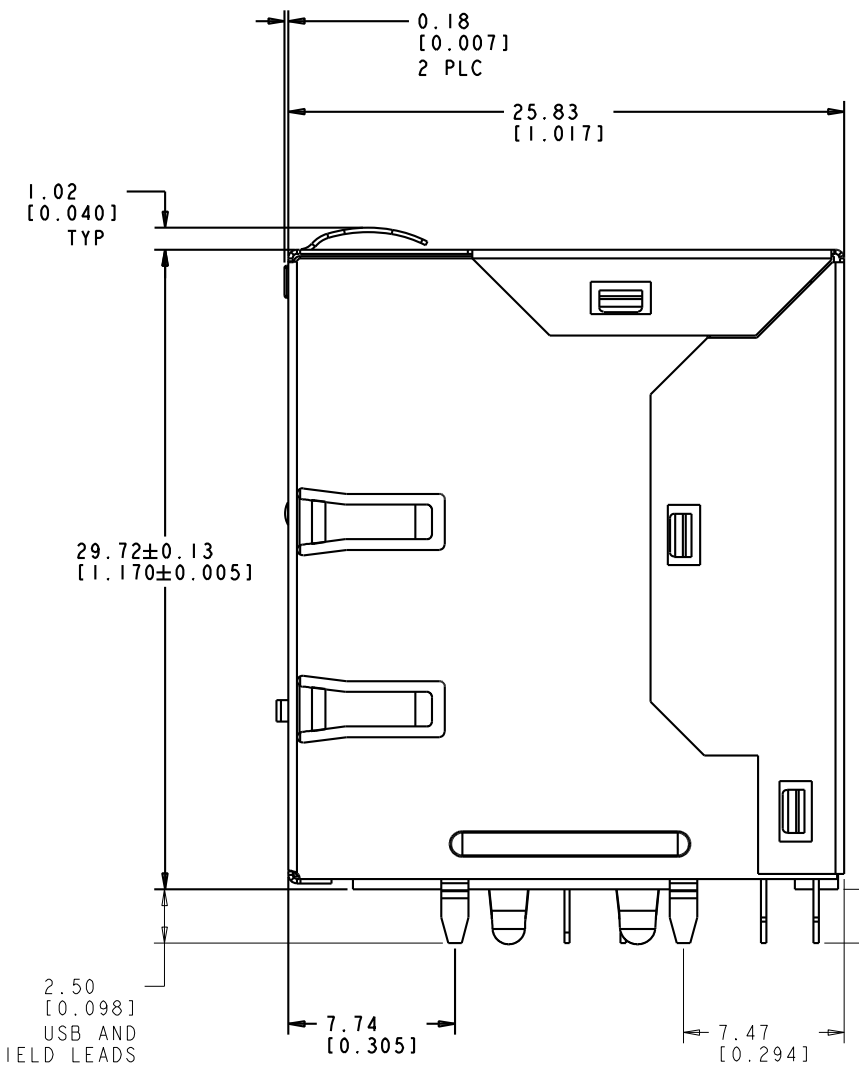
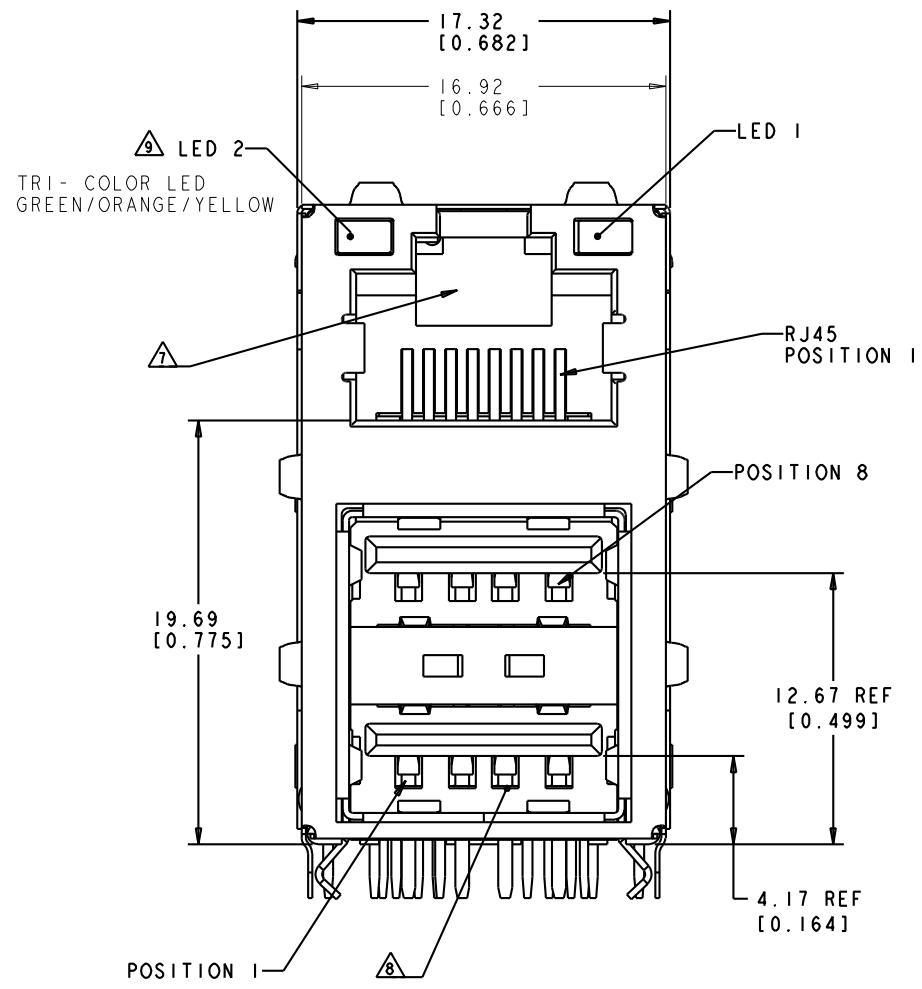
6. RECOMMENDED PCB THICKNESS 1.5mm (.062") THICK. DATUM LOCATION AND DIMENSION TO BE ESTABLISHED BY CUSTOMER.

7. RJ45 CAVITY CONFORMS TO FCC RULES AND REGULATION PART 68 SUBPART F.

8. MATING INTERFACE COMPLIES WITH USB (UNIVERSAL SERIAL BUS) SPECIFICATION REV 2.0.

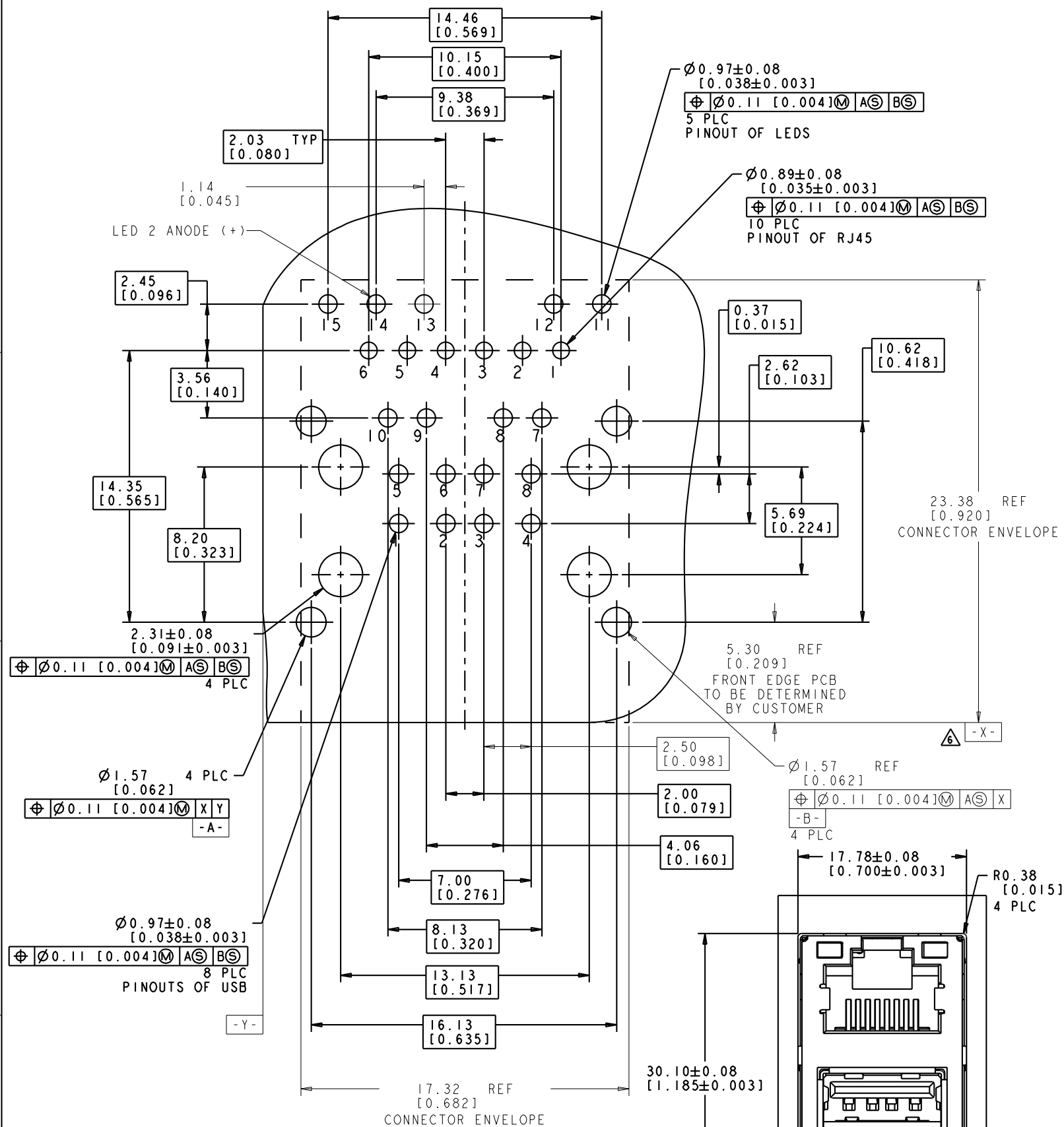
9. LED 2 WILL EMULATE "YELLOW" LIGHT WHEN USB BOTH GREEN AND ORANGE DIODES ARE DRIVEN AT CONSTANT CURRENT (20mA RECOMMENDED) TO INDICATE THE THIRD COLOR STATE.

10. THESE PARTS ARE RECOMMENDED FOR WAVE SOLDERING PROCESS, PREHEAT TEMPERATURE IS 120°C TO 160°C, 120 SECONDS TO 180 SECONDS, PEAK WAVE SOLDERING TEMPERATURE IS 260°C MAX, 10 SECONDS MAX.

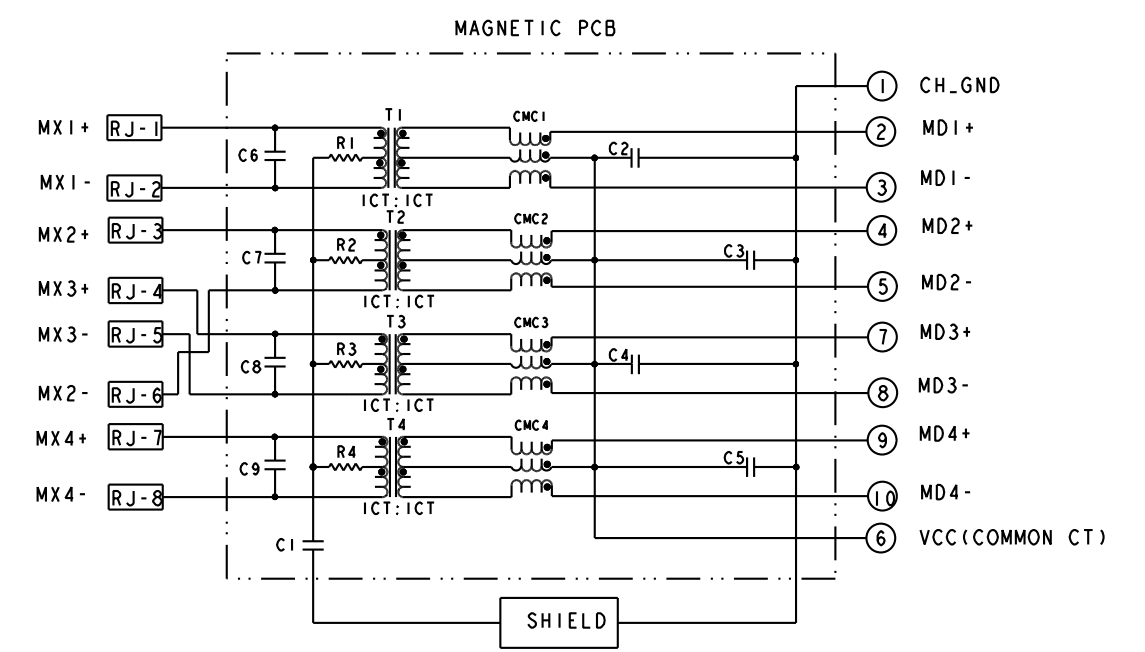


GREEN	1840029-2
YELLOW	1840029-1
LED 1	PART NUMBER

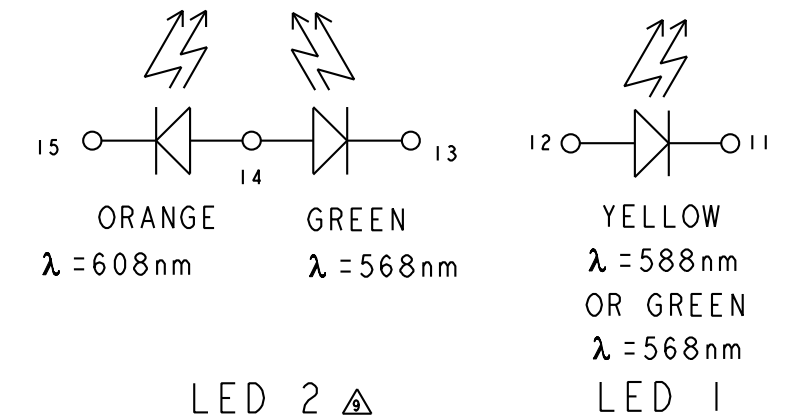
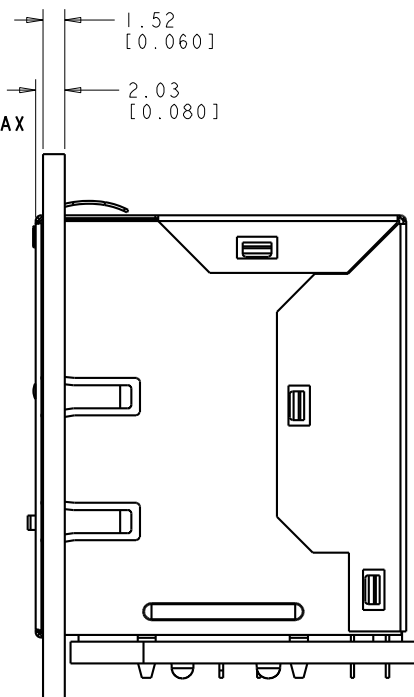
THIS DRAWING IS A CONTROLLED DOCUMENT.		OWN: PTFE LI 31 JUL 2008	DONGGUAN CHINA
DIMENSIONS: mm		CHK: KEITH ZHU 31 JUL 2008	
TOLERANCES UNLESS OTHERWISE SPECIFIED:		APVD: TEDDY XIONG 31 JUL 2008	MODEL NAME: MAGJACK OVER USB NON-PoE
0 PLC ±0.25		DESC: MAGJACK OVER DUAL USB UR2G14 GIGABIT CIRCUIT, W/ LEDS	
1 PLC ±0.25		SIZE: A1	DRAWING NO: C=1840029 SCALE: 3:1 SHEET 1 OF 2 REV D
2 PLC ±0.25		RESTRICTED TO:	
3 PLC ±0.25		CUSTOMER DRAWING	
4 PLC ±0.25			
PRODUCT SPEC: 108-104005			
APPLICATION SPEC:			



UR2G14 GIGABIT CIRCUIT Δ



R1-R4 = 75OHMS, 1/16W, 5%
 C1 = 1000pF, 3kV, ±10%, X7R
 C2-C5 = 0.01uF, 50V, 10%, X7R
 C6-C9 = 3.3pF, 50V, 10%, NPO



RECOMMENDED PCB FOOTPRINT COMPONENT SIDE SCALE 8:1

SUGGESTED PANEL CUTOUT DIMENSIONS SCALE 4:1

THIS DRAWING IS A CONTROLLED DOCUMENT.		DATE: 31 JUL 2008	DRN: PTFE L1
DIMENSIONS: mm		CHK: KEITH ZHU	31 JUL 2008
TOLERANCES UNLESS OTHERWISE SPECIFIED:		APVD: TEDDY X LONG	31 JUL 2008
0 PLC	±0.25	MODEL NAME: MAGJACK	
1 PLC	±0.25	DESC: MAGJACK OVER DUAL USB	
2 PLC	±0.25	UR2G14 GIGABIT CIRCUIT, W/ LEDS	
3 PLC	±0.25	SIZE: A1	
4 PLC	±0.25	CAGE CODE: -	
PRODUCT SPEC: 108-104005	APPLICATION SPEC: -	DRAWING NO: C=1840029	
RESTRICTED TO: -		SCALE: 3:1	
CUSTOMER DRAWING		SHEET 2 OF 2	