

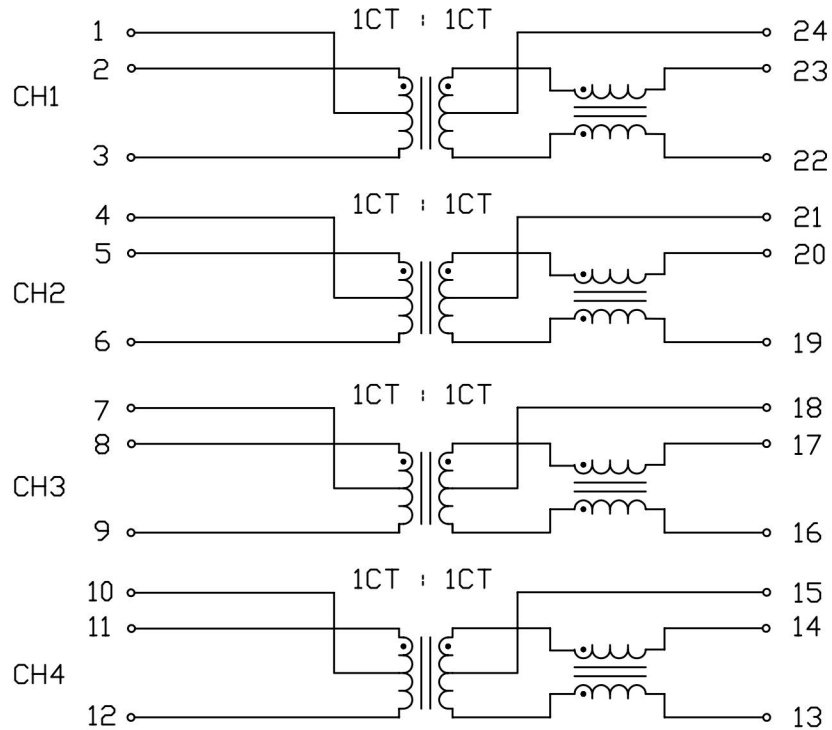
THE INFORMATION CONTAINED HEREIN IS CONSIDERED 'PROPRIETARY' TO BEL FUSE INC. AND SHALL NOT BE COPIED, REPRODUCED OR DISCLOSED WITHOUT THE WRITTEN APPROVAL OF BEL FUSE INC.

RoHS



ELECTRICAL SPECIFICATION @25°C

SCHEMATIC



URNS RATIO
 (2-3) : (23-22)
 (5-6) : (20-19)
 (8-9) : (17-16)
 (11-12) : (14-13)

1CT : 1CT
 1CT : 1CT
 1CT : 1CT
 1CT : 1CT

POLARITY

2°&23°, 5°&20°
 8°&17°, 11°&14°

□CL
 (2-3) = (5-6)
 (8-9) = (11-12)

@100kHz, 100mV
 62μH MIN

INSERTION LOSS

FREQ.(MHz)	1	2-300	400	500
dB MAX	0.3	1.0	1.5	2.0

RETURN LOSS

FREQ.(MHz)	1	2-300	400	500	600
dB MIN	18	20	15	12	9

CM TO DM
 REJECTION RATIO

FREQ.(MHz)	50	100	200	300	400	500
dB TYP	48	42	36	33	30	28

CM TO CM
 REJECTION RATIO

FREQ.(MHz)	50	100	200	300	400	500
dB TYP	30	27	24	22	21	20

HIPOT

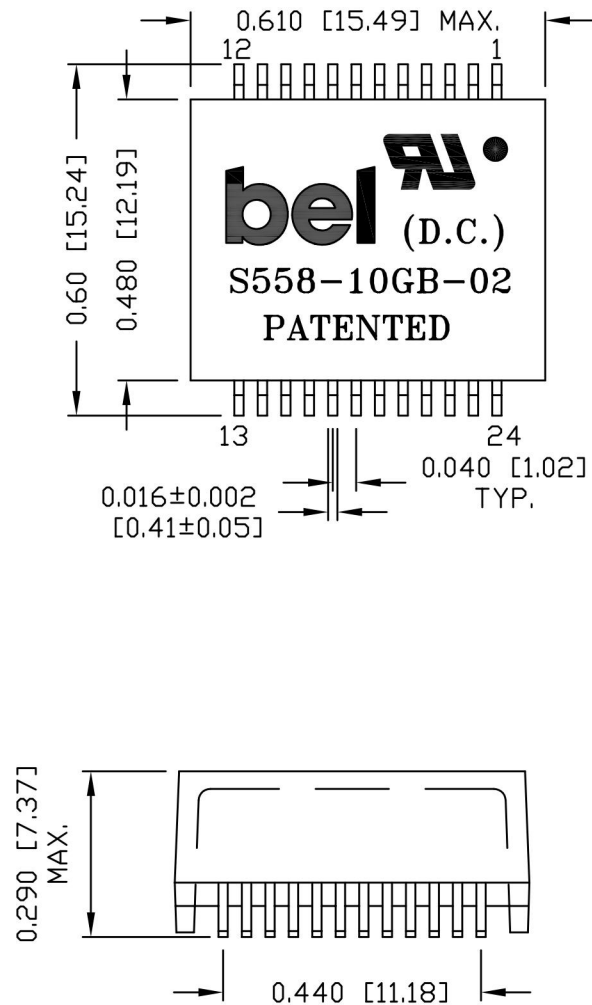
1500Vrms

REV. : D PAGE : 2

ORIGINATED BY	DATE	TITLE	PART NO. / DRAWING NO.	STANDARD DIM.	[] METRIC DIM. AS REF.
Alice Pang	2015-03-04	ELECTRICAL SPECIFICATION	S558-10GB-02	TOL. IN INCH	UNIT : INCH [mm]
DRAWN BY	DATE		FILE NAME	.X	SCALE : N/A
ZC Guo	2015-03-04		S55810GB02D.DWG	.XX	SIZE : A4
				.XXX	

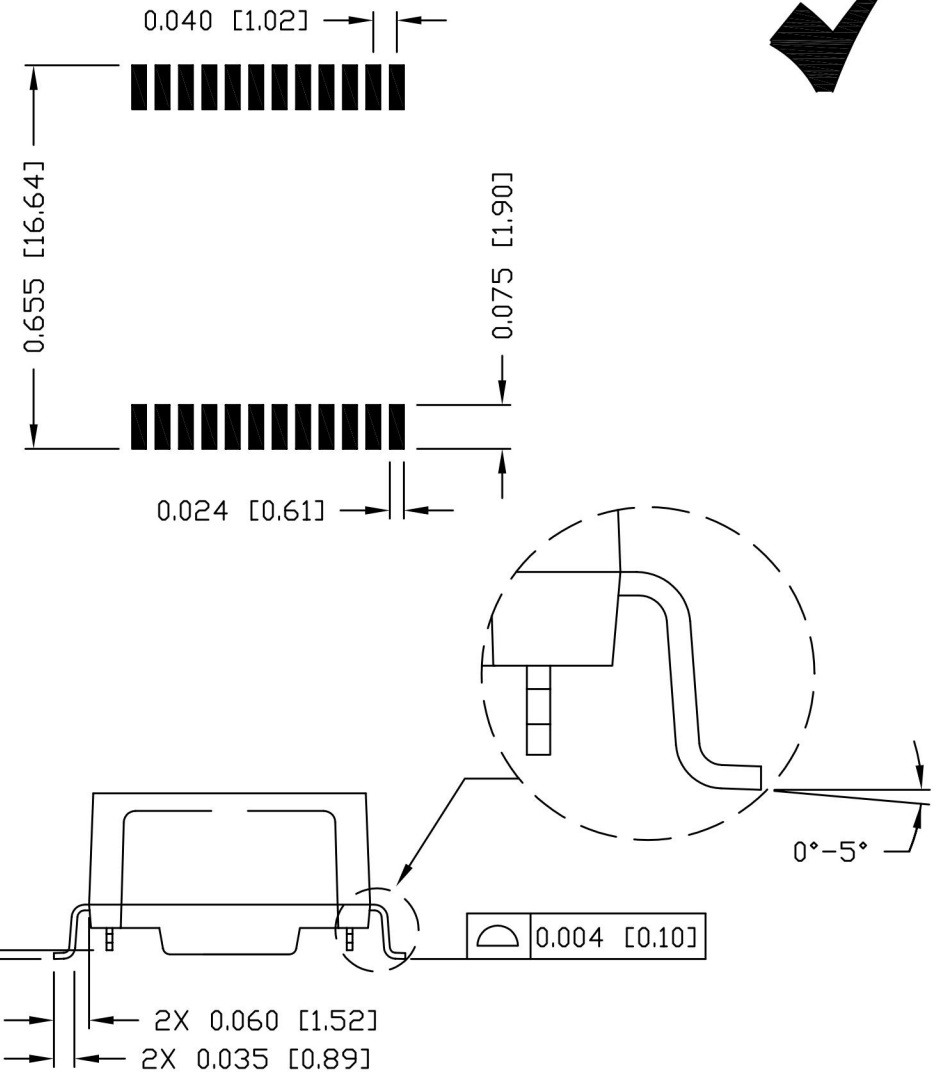


THE INFORMATION CONTAINED HEREIN IS CONSIDERED "PROPRIETARY" TO BEL FUSE INC. AND SHALL NOT BE COPIED, REPRODUCED OR DISCLOSED WITHOUT THE WRITTEN APPROVAL OF BEL FUSE INC.



SUGGESTED PCB PAD LAYOUT

RoHS



NOTES:

1. STANDARD MARKING REFER TO DOC. HAND-WORK-04.
2. PACKAGE CODE: "QABS001A".

ORIGINATED BY		DATE	TITLE MECHANICAL OUTLINE	PART NO. / DRAWING NO.		STANDARD DIM. [] METRIC DIM. AS REF.		REV. : E	PAGE : 3
Lawrence Tsang		2016-01-25		S558-10GB-02		TOL. IN INCH		UNIT : INCH [mm]	
DRAWN BY		DATE		FILE NAME		.X ±0.01		SCALE : N/A	
ZC Guo		2016-01-25	S55810GB02E.DWG		.XX ±0.005		SIZE : A4		

