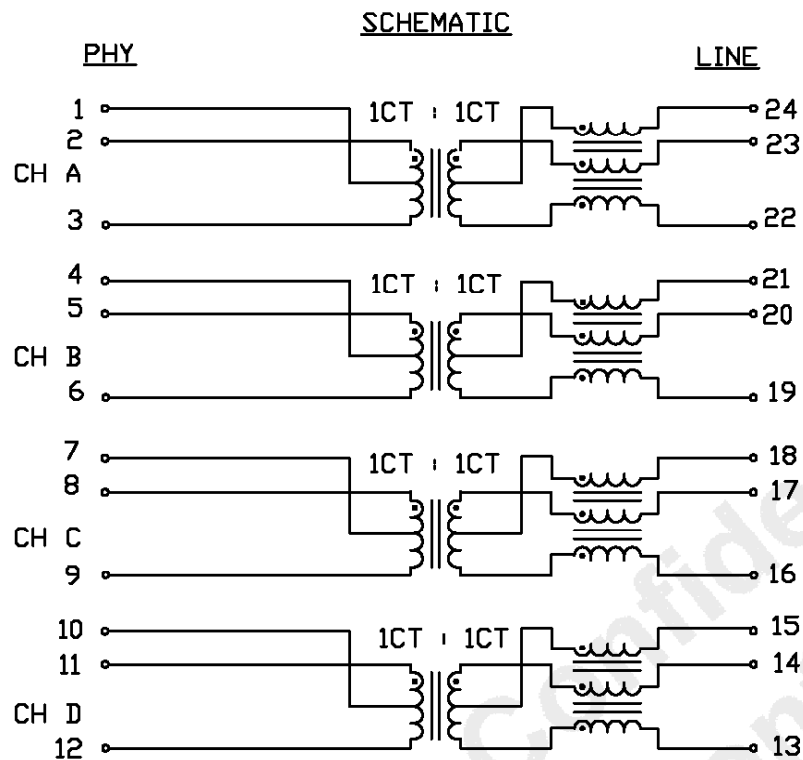


THE INFORMATION CONTAINED HEREIN IS CONSIDERED "PROPRIETARY" TO BEL FUSE INC. AND SHALL NOT BE COPIED, REPRODUCED OR DISCLOSED WITHOUT THE WRITTEN APPROVAL OF BEL FUSE INC.

ELECTRICAL SPECIFICATION @25°C

RoHS



TURNS RATIO

(2-1-3) : (23-24-22)
 (5-4-6) : (20-21-19)
 (8-7-9) : (17-18-16)
 (11-10-12) : (14-15-13)

1CT : 1CT
 1CT : 1CT
 1CT : 1CT
 1CT : 1CT

POLARITY

PER DOT CONVENTION

DCL

@100kHz, 100mV, 19mA DC BIAS

120uH MIN

HIPOT

LEAKAGE CURRENT LESS THAN 1mA AT 2250VDC

INSERTION LOSS

| | | | | |
|-----------|-----|-------|-----|-----|
| FREQ(MHz) | 1 | 2-300 | 400 | 500 |
| MAX (dB) | 0.3 | 1.0 | 1.5 | 2.0 |

RETURN LOSS

(100 OHM LINESIDE LOAD)

| | | | | | |
|-----------|----|-------|-----|-----|-----|
| FREQ(MHz) | 1 | 2-100 | 200 | 500 | 600 |
| MIN (dB) | 18 | 20 | 15 | 12 | 9 |

COMM. TO DIFF. MODE REJECTION

| | | | | | | |
|-----------|----|-----|-----|-----|-----|-----|
| FREQ(MHz) | 50 | 100 | 200 | 300 | 400 | 500 |
| MAX (dB) | 48 | 42 | 36 | 33 | 30 | 28 |

DIFF. TO COMM. MODE REJECTION

| | | | | | | |
|-----------|----|-----|-----|-----|-----|-----|
| FREQ(MHz) | 50 | 100 | 200 | 300 | 400 | 500 |
| MAX (dB) | 30 | 27 | 24 | 22 | 21 | 20 |

BALANCED DC LINE CURRENT: 600mA NOMINAL CONTINUOUS
 720mA MAXIMUM CONTINUOUS
 1.2A MAXIMUM FOR 200mS

TEMPERATURE RANGE: 0 TO 70C

DESIGNED FOR 10G PoE APPLICATIONS

* INTERNAL USE ONLY

REV. : E PAGE : 2

| | | | | | |
|---------------|------------|--------------------------|------------------------|---------------|-------------------------|
| ORIGINATED BY | DATE | TITLE | PART NO. / DRAWING NO. | STANDARD DIM. | [] METRIC DIM. AS REF. |
| Alice Pang | 2020-06-29 | ELECTRICAL SPECIFICATION | S558-10GB-15 | TOL. IN INCH | UNTT : INCH [mm] |
| DRAWN BY | DATE | | FILE NAME | .X | SCALE : N/A |
| ZC Guo | 2020-06-29 | | S55810GB15E.DWG | .XX | SIZE : A4 |
| | | | | .XXX | |

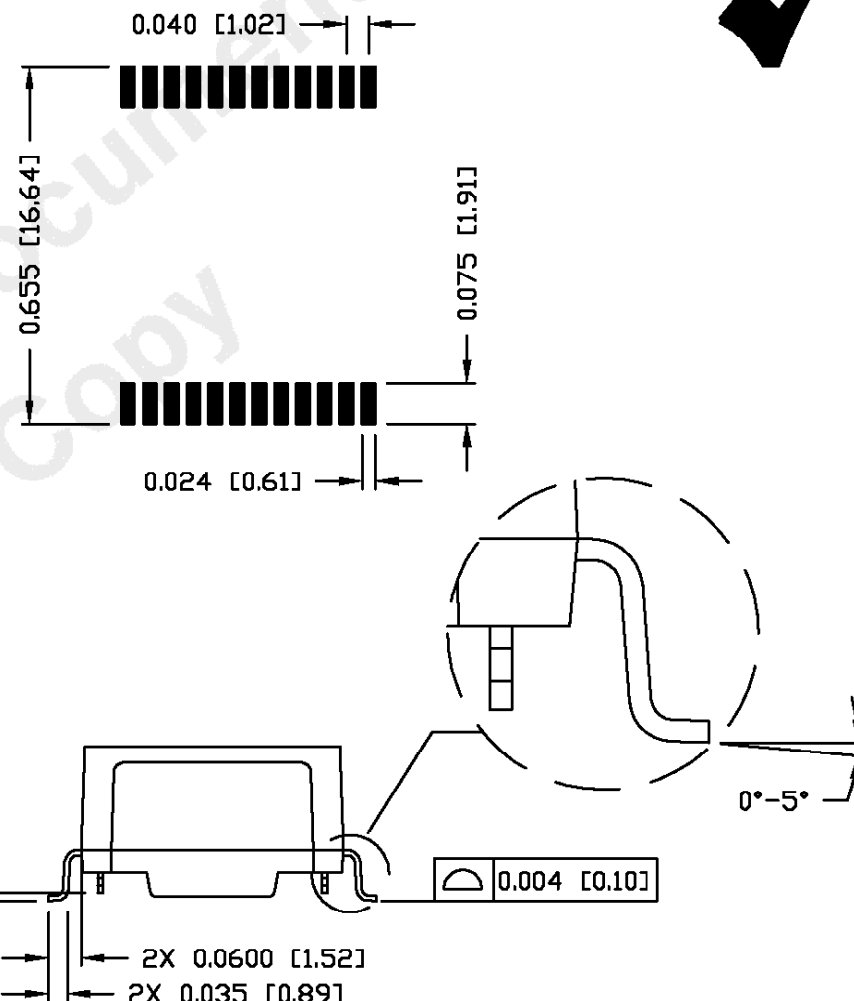
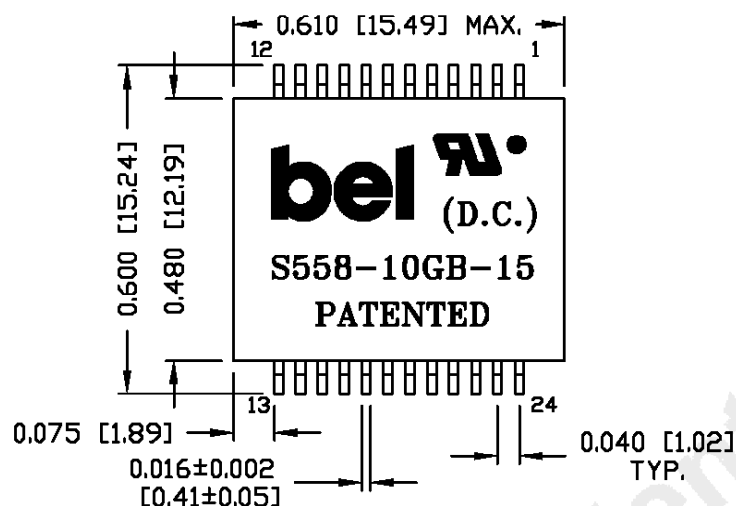


THE INFORMATION CONTAINED HEREIN IS CONSIDERED "PROPRIETARY" TO BEL FUSE INC. AND SHALL NOT BE COPIED, REPRODUCED OR DISCLOSED WITHOUT THE WRITTEN APPROVAL OF BEL FUSE INC.

RoHS



SUGGESTED PCB PAD LAYOUT



NOTES:

- STANDARD MARKING REFER TO DDC. HAND-WORK-04.
- PACKAGE CODE: 'QABS001'.

| | | | | | | |
|---------------------------------|--------------------|-----------------------------------|--|--|--------------------------------|----------------------------------|
| ORIGINATED BY Lawrence Tsang | DATE 2016-12-07 | TITLE MECHANICAL SPECIFICATION | PART NO. / DRAWING NO. S558-10GB-15 | STANDARD DIM. [] METRIC DIM. AS REF. | REV. : A | PAGE : 3 |
| DRAWN BY ZC Guo | DATE 2016-12-07 | | FILE NAME S55810GB15A.DWG | TOL. IN INCH .X / .XX ±0.01 / .XXX ±0.005 | UNT : INCH [mm] SCALE : N/A | <p>POWER PROTECT CONNECT</p> |
| | | | | | SIZE : A4 | |