

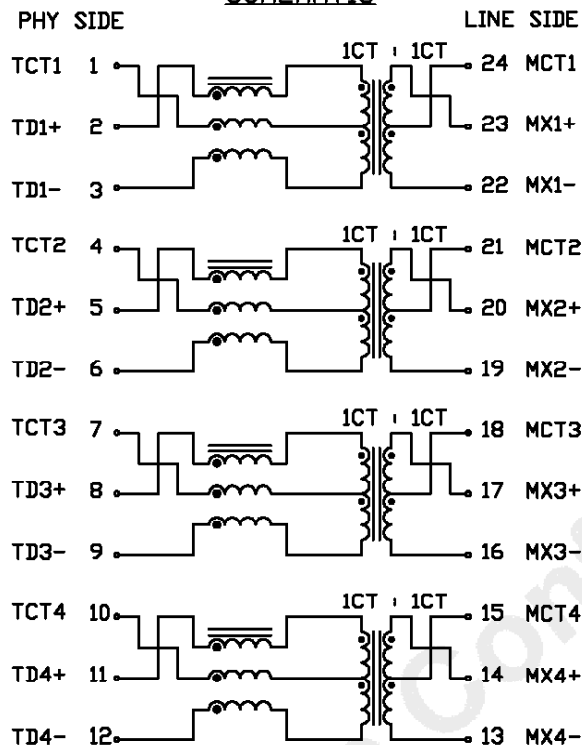
THE INFORMATION CONTAINED HEREIN IS CONSIDERED "PROPRIETARY" TO BEL FUSE INC. AND SHALL NOT BE COPIED, REPRODUCED OR DISCLOSED WITHOUT THE WRITTEN APPROVAL OF BEL FUSE INC.

ELECTRICAL CHARACTERISTICS @25°C

RoHS



SCHEMATIC



TURNS RATIO

(2-1-3) : (23-24-22)
 (5-4-6) : (20-21-19)
 (8-7-9) : (17-18-16)
 (11-10-12) : (14-15-13)

1CT : 1CT ±2%
 1CT : 1CT ±2%
 1CT : 1CT ±2%
 1CT : 1CT ±2%

POLARITY

OCL

PER DOT CONVENTION

100kHz, 100mV
 350uH MIN WITH 11mA DC BIAS
 120uH MIN WITH 19mA DC BIAS

INTERWINDING CAPACITANCE, C_{ww}

@1MHz, 20mV
 30pF MAX

INSERTION LOSS

0.3MHz - 1MHz
 1MHz - 65MHz
 65MHz - 100MHz
 100MHz - 125MHz

1.1dB MAX
 0.8dB MAX
 1.0dB MAX
 1.2dB MAX

RETURN LOSS @100OHM

0.5MHz - 40MHz
 40MHz - 100MHz

18dB MIN
 12-20LOG(f/80MHz)dB MIN

CROSSTALK

0.3MHz - 100MHz

33-20LOG(f/100MHz)dB MIN

CM TO CM REJ

0.3MHz - 100MHz

30dB MIN

CM TO DM REJ

0.3MHz - 100MHz

35dB MIN

BALANCED DC LINE CURRENT

720mA MAX @57VDC CONTINUOUS
 1.2A MAX @57VDC FOR 200ms

HIPOT

LEAKAGE CURRENT LESS THAN 1mA AT 1500VAC

DESIGNED FOR APPLICATIONS REQUIRING OPERATION FROM -40 TO 85C

DC RESISTANCE

(2-3), (5-6), (8-9), (11-12) 1.00 OHM MAX
 (1-3), (4-6), (7-9), (10-12) 0.75 OHM MAX
 (23-22), (20-19), (17-16), (14-13) 0.50 OHM MAX
 (24-22), (21-19), (18-16), (15-13) 0.30 OHM MAX

REV. : C PAGE : 2

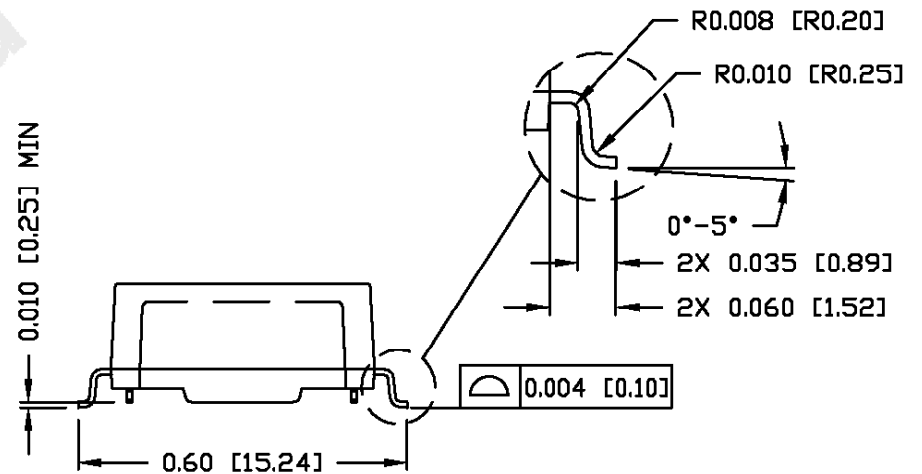
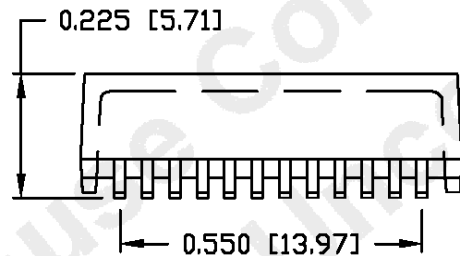
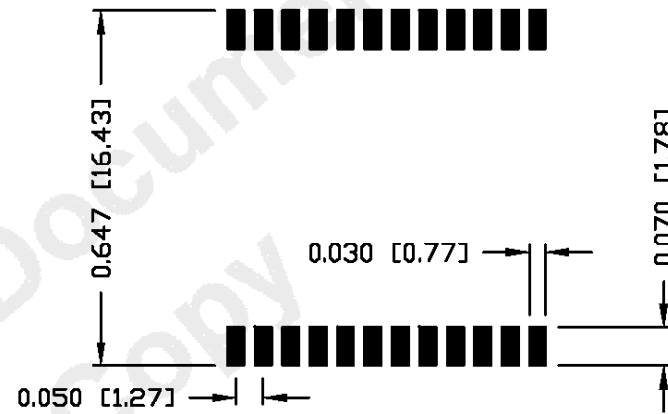
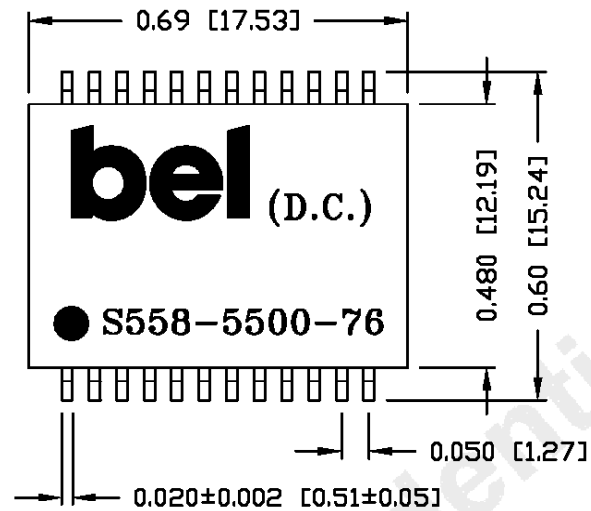
ORIGINATED BY	DATE	TITLE	PART NO. / DRAWING NO.	STANDARD DIM. [] METRIC DIM. AS REF.	<p>POWER PROTECT CONNECT</p>	
Alice Pang	2020-06-30	ELECTRICAL SPECIFICATION	S558-5500-76	TOL. IN INCH		
DRAWN BY	DATE		FILE NAME	.X		UNIT : INCH [mm]
ZC Guo	2020-06-30		S558550076C.DWG	.XX		SCALE : N/A
				.XXX	SIZE : A4	

THE INFORMATION CONTAINED HEREIN IS CONSIDERED "PROPRIETARY" TO BEL FUSE INC. AND SHALL NOT BE COPIED, REPRODUCED OR DISCLOSED WITHOUT THE WRITTEN APPROVAL OF BEL FUSE INC.

RoHS



SUGGESTED PCB PAD LAYOUT



NOTES:

1. STANDARD MARKING REFER TO DOC. HAND-WORK-04.
2. PACKAGE CODE: 'RQS001'.

ORIGINATED BY	DATE
Lawrence Tsang	2017-03-02
DRAWN BY	DATE
ZC Guo	2017-03-02

TITLE
MECHANICAL OUTLINE

PART NO. / DRAWING NO.
S558-5500-76
FILE NAME
S558550076A.DWG

STANDARD DIM.	[] METRIC DIM. AS REF.
TOL. IN INCH	UNIT : INCH [mm]
.X	SCALE : N/A
.XX ±0.01	SIZE : A4
.XXX ±0.005	

REV. : A	PAGE : 3
<p>POWER PROTECT CONNECT</p>	