

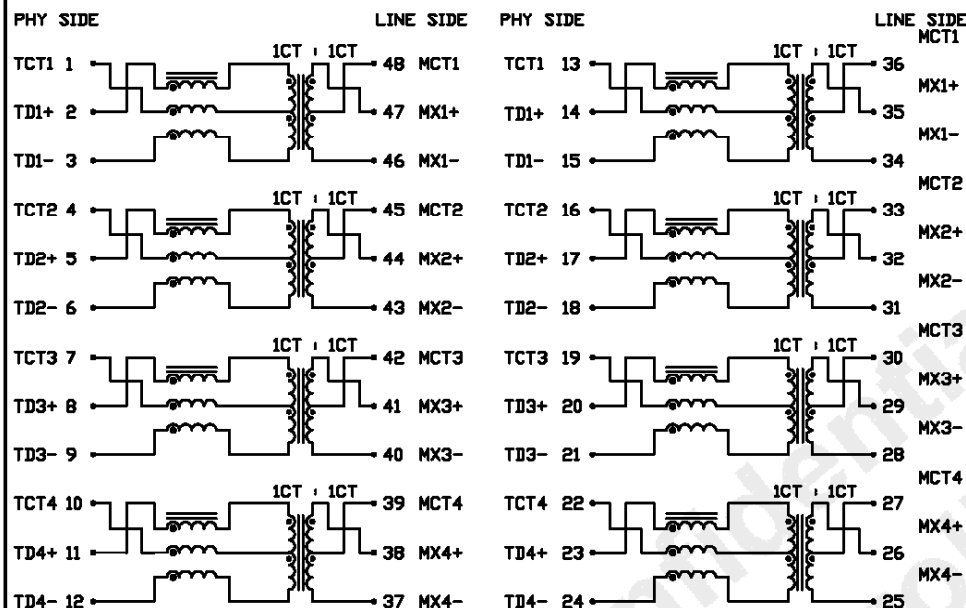
THE INFORMATION CONTAINED HEREIN IS CONSIDERED "PROPRIETARY" TO BEL FUSE INC. AND SHALL NOT BE COPIED, REPRODUCED OR DISCLOSED WITHOUT THE WRITTEN APPROVAL OF BEL FUSE INC.

RoHS



**ELECTRICAL CHARACTERISTICS @25°C**

**SCHEMATIC**



<p><b>URNS RATIO</b> PHY : LINE</p> <p><b>POLARITY</b></p> <p><b>QCL</b></p> <p><b>INTERWINDING CAPACITANCE, C<sub>ww</sub></b> @1MHz, 20mV</p> <p><b>INSERTION LOSS</b></p> <p><b>RETURN LOSS @100ΩHM</b></p> <p><b>CROSSTALK</b></p> <p><b>CM TO CM REJ</b></p> <p><b>CM TO DM REJ</b></p> <p><b>BALANCED DC LINE CURRENT</b></p> <p><b>HIPOT</b></p> <p>DESIGNED FOR APPLICATIONS REQUIRING OPERATION FROM -40 TO 85C</p>	<p>1CT : 1CT ±2%</p> <p>PER DOT CONVENTION</p> <p>100kHz, 100mV 350uH MIN WITH 11mA DC BIAS 120uH MIN WITH 19mA DC BIAS</p> <p>30pF MAX</p> <p>0.3MHz - 1MHz : 1.1dB MAX 1MHz - 65MHz : 0.8dB MAX 65MHz - 100MHz : 1.0dB MAX 100MHz - 125MHz : 1.2dB MAX</p> <p>0.5MHz - 40MHz : 18dB MIN 40MHz - 100MHz : 12-20LOG(f/80MHz)dB MIN</p> <p>0.3MHz - 100MHz : 33-20LOG(f/100MHz)dB MIN</p> <p>0.3MHz - 100MHz : 30dB MIN</p> <p>0.3MHz - 100MHz : 35dB MIN</p> <p>720mA MAX @57VDC CONTINUOUS 1.2A MAX @57VDC FOR 200MS</p> <p>LEAKAGE CURRENT LESS THAN 1mA AT 1500VAC</p>
--	---

**DC RESISTANCE**

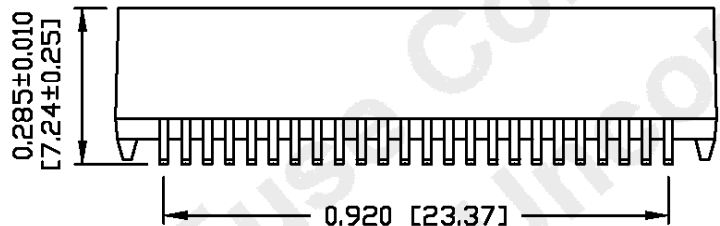
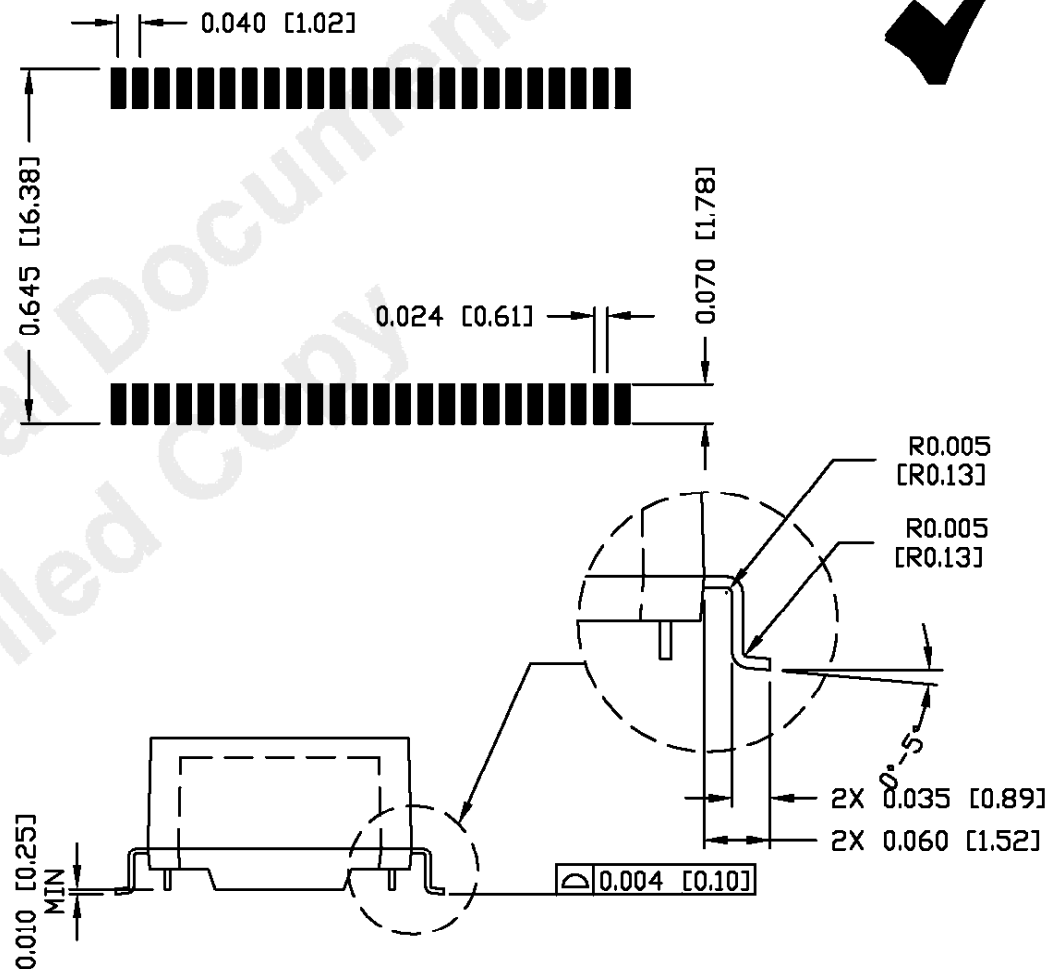
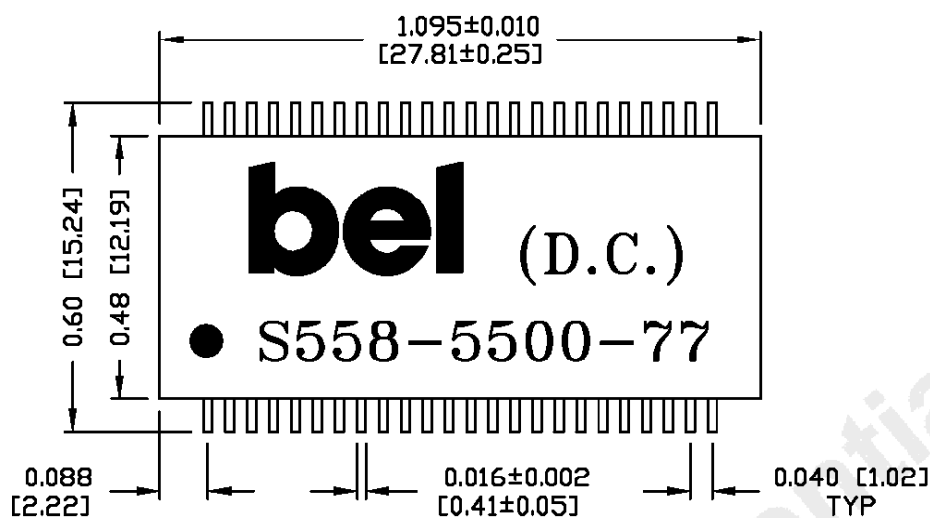
(2-3), (5-6), (8-9), (11-12)	1.00 ΩHM MAX
(1-3), (4-6), (7-9), (10-12)	0.75 ΩHM MAX
(47-46), (44-43), (41-40), (38-37)	0.50 ΩHM MAX
(48-46), (45-43), (42-40), (39-37)	0.30 ΩHM MAX
(14-15), (17-18), (20-21), (23-24)	1.00 ΩHM MAX
(13-15), (16-18), (19-21), (22-24)	0.75 ΩHM MAX
(35-34), (32-31), (29-28), (26-25)	0.50 ΩHM MAX
(36-34), (33-31), (30-28), (27-25)	0.30 ΩHM MAX

REV. : C      PAGE : 2

<p><b>ORIGINATED BY</b>      <b>DATE</b></p> <p>Alice Pang      2020-06-30</p>	<p><b>TITLE</b></p> <p>ELECTRICAL SPECIFICATION</p>	<p><b>PART NO. / DRAWING NO.</b></p> <p>S558-5500-77</p>	<p><b>STANDARD DIM.</b> [ ] METRIC DIM. AS REF.</p> <p><b>TOL. IN INCH</b></p> <p>.X      /</p> <p>.XX      /</p> <p>.XXX      /</p>	<p><b>UNIT : INCH [mm]</b></p> <p><b>SCALE : N/A</b></p> <p><b>SIZE : A4</b></p>	
<p><b>DRAWN BY</b>      <b>DATE</b></p> <p>ZC Guo      2020-06-30</p>		<p><b>FILE NAME</b></p> <p>S558550077C.DWG</p>			
<p>DC002(2)120214</p>		<p>This document is electronically generated. This is a controlled copy if used internally</p>			

THE INFORMATION CONTAINED HEREIN IS CONSIDERED "PROPRIETARY" TO BEL FUSE INC. AND SHALL NOT BE COPIED, REPRODUCED OR DISCLOSED WITHOUT THE WRITTEN APPROVAL OF BEL FUSE INC.

SUGGESTED PCB PAD LAYOUT



NOTES:

1. STANDARD MARKING REFER TO DDC. HAND-WORK-04.
2. PACKAGE CODE: "QVS001".

REV. : A PAGE : 3

ORIGINATED BY Lawrence Tsang	DATE 2019-02-26	TITLE MECHANICAL OUTLINE	PART NO. / DRAWING NO. S558-5500-77	STANDARD DIM. [ ] METRIC DIM. AS REF. TOL. IN INCH	UNIT : INCH [mm]	<p>POWER   PROTECT   CONNECT</p>
DRAWN BY ZC Guo	DATE 2019-02-26		FILE NAME S558550077A.DWG	.X	SCALE : N/A	
				.XX ±0.01	SIZE : A4	
				.XXX ±0.005		