

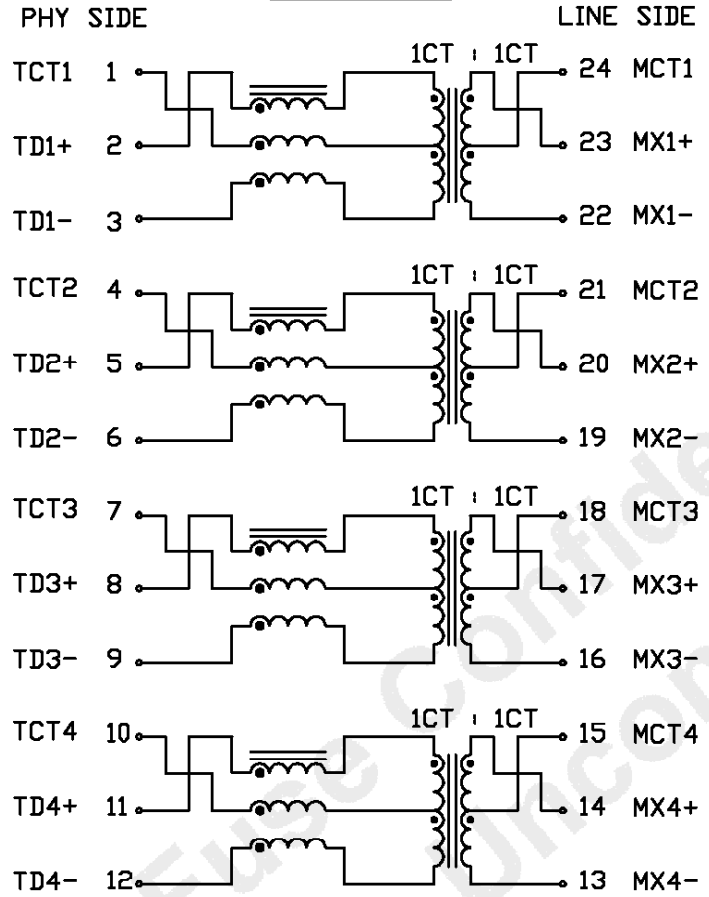
THE INFORMATION CONTAINED HEREIN IS CONSIDERED "PROPRIETARY" TO BEL FUSE INC. AND SHALL NOT BE COPIED, REPRODUCED OR DISCLOSED WITHOUT THE WRITTEN APPROVAL OF BEL FUSE INC.

RoHS



ELECTRICAL CHARACTERISTICS @25°C

SCHEMATIC



TURNS RATIO
 (2-1-3) : (23-24-22)
 (5-4-6) : (20-21-19)
 (8-7-9) : (17-18-16)
 (11-10-12) : (14-15-13)

POLARITY
 PER DOT CONVENTION

OCL
 100kHz, 100mV
 0°C TO 70°C 180uH MIN WITH 8mA DC BIAS
 0°C TO 70°C 120uH MIN WITH 19mA DC BIAS

INTERWINDING CAPACITANCE, C_{ww}
 @1MHz, 20mV
 30pF MAX

PARAMETER		MAGNITUDE (IN dB)	FREQUENCY (IN MHZ)	
			START	END
INSERTION LOSS	SDD12, SDD21	-0.004<fMHz>-0.4 MAX	1	150
RETURN LOSS	SDD11, SDD22	-20 MIN	1	40
		-20+15LOG<f/40MHz> MIN	40	150
ALIEN NEAR END CROSSTALK	SDDXY'	-46+7LOG<f/125MHz> MIN	1	150
NEAR END CROSSTALK	SDDXY	-35 MIN	1	40
		-35+15LOG<f/40MHz> MIN	40	150
MODE CONVERSION	SDC12	-35 MIN	1	40
		-35+17LOG<f/40MHz> MIN	40	150
	SDC21	-30 MIN	1	40
		-30+11LOG<f/40MHz> MIN	40	150
COMMON MODE REJECTION	SCC21	-25 MIN	1	150

BALANCED DC LINE CURRENT
 720mA MAX @57VDC CONTINUOUS
 1.2A MAX @57VDC FOR 200ms

HIPOT
 LEAKAGE CURRENT LESS THAN 1mA AT 1500VAC

ORIGINATED BY DATE
 Alice Pang 2020-06-29

DRAWN BY DATE
 ZC Guo 2020-06-29

TITLE
 ELECTRICAL SPECIFICATION

PART NO. / DRAWING NO.
 S558-5500-JD

FILE NAME
 S5585500JDC.DWG

STANDARD DIM. [] METRIC DIM. AS REF.
 TOL. IN INCH

.X
 .XX
 .XXX

UNIT : INCH [mm]
 SCALE : N/A
 SIZE : A4

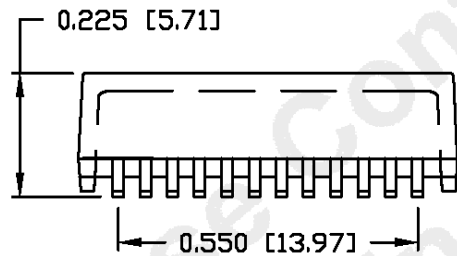
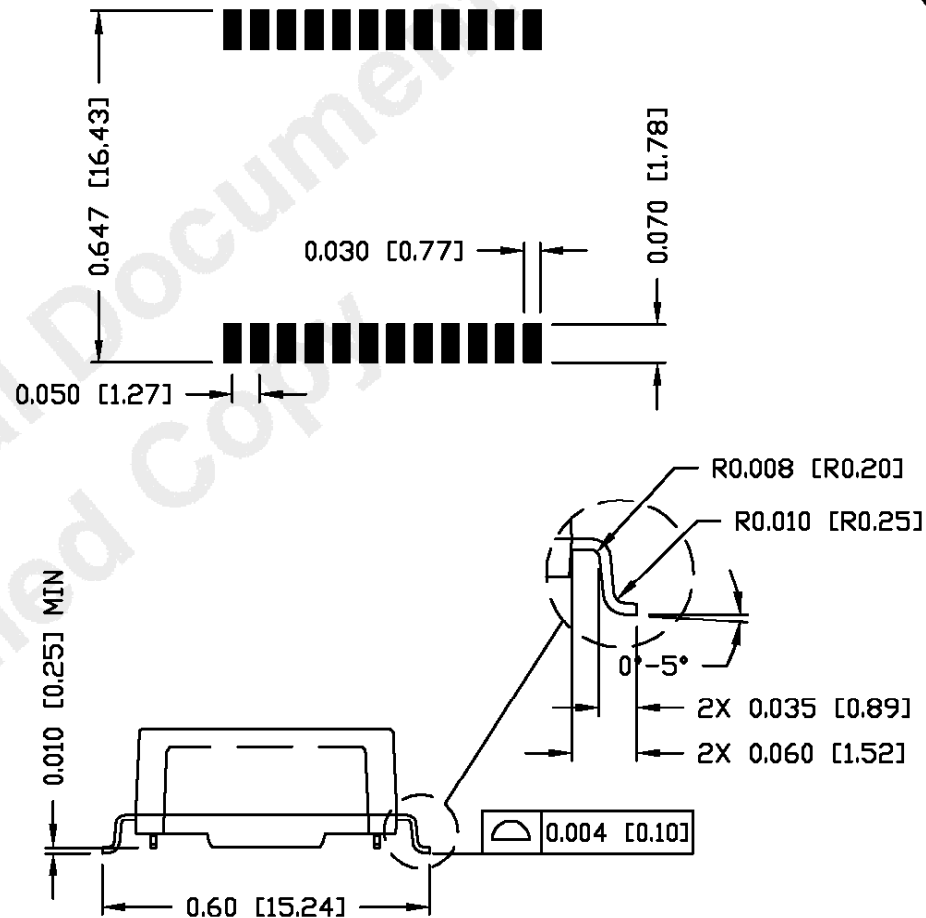
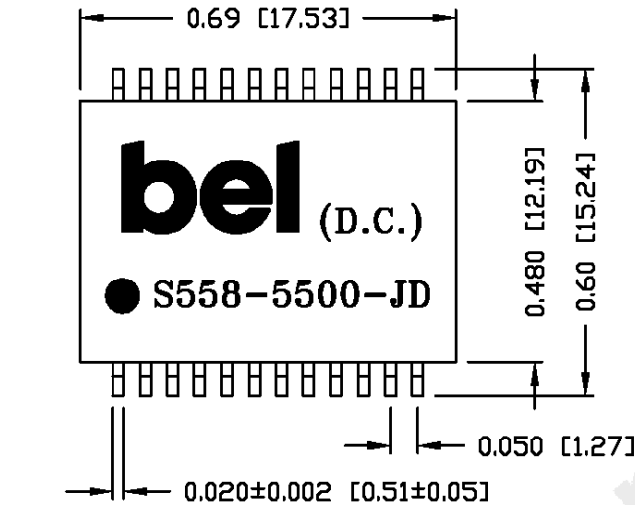
REV. : C PAGE : 2



THE INFORMATION CONTAINED HEREIN IS CONSIDERED "PROPRIETARY" TO BEL FUSE INC. AND SHALL NOT BE COPIED, REPRODUCED OR DISCLOSED WITHOUT THE WRITTEN APPROVAL OF BEL FUSE INC.



SUGGESTED PCB PAD LAYOUT



NOTES:

- STANDARD MARKING REFER TO DOC. HAND-WORK-04.
- PACKAGE CODE: "RQS001".

REV. : A PAGE : 3

ORIGINATED BY	DATE
Lawrence Tsang	2017-09-11
DRAWN BY	DATE
ZC Guo	2017-09-11

TITLE
MECHANICAL OUTLINE

PART NO. / DRAWING NO.
S558-5500-JD
FILE NAME
S5585500JDA.DWG

STANDARD DIM.	[] METRIC DIM. AS REF.
TOL. IN INCH	UNIT : INCH [mm]
.X	SCALE : N/A
.XX ±0.01	SIZE : A4
.XXX ±0.005	

