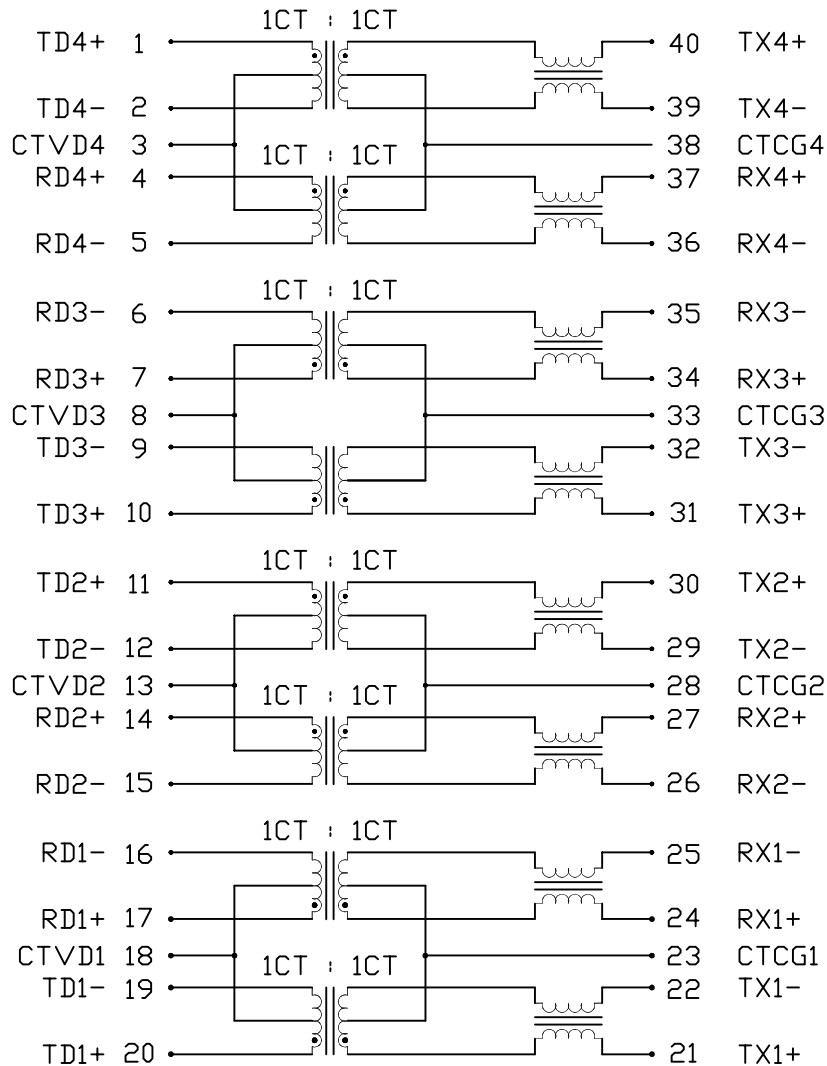


THE INFORMATION CONTAINED HEREIN IS CONSIDERED 'PROPRIETARY' TO BEL FUSE INC. AND SHALL NOT BE COPIED, REPRODUCED OR DISCLOSED WITHOUT THE WRITTEN APPROVAL OF BEL FUSE INC.

ELECTRICAL CHARACTERISTICS @ 25°C



SCHEMATIC



URNS RATIO

Tx SIDE: 1CT : 1CT  
Rx SIDE: 1CT : 1CT

POLARITY :

Rx 4°&37°, 7°&34°, 14°&27°, 17°&24°  
Tx 1°&40°, 10°&31°, 11°&30°, 20°&21°  
IN PHASE

DCL

350μH MIN. @ 100kHz, 100mV  
WITH 8mA D.C. BIAS.

INSERTION LOSS

@ 100kHz - 80MHz 1.0 dB MAX

RETURN LOSS

MEASURED UNDER A  
100 Ω ENVIRONMENT  
@ 0.1MHz - 30MHz 18 dB MIN.  
@ 30MHz - 60MHz 18-20 LOG(f/30MHz)  
@ 60MHz - 80MHz 12 dB MIN.

COMMON TO DIFFERENTIAL  
MODE REJECTION

@ 0.1MHz TO 100MHz 40 dB MIN.

COMMON TO COMMON  
MODE REJECTION

@ 0.1MHz TO 100MHz 35 dB MIN.  
@ 100MHz TO 500MHz 20 dB MIN.

CROSSTALK

@ 0.1MHz TO 100MHz 32 dB MIN.

HIPOT

LEAKAGE CURRENT LESS THAN 1mA AT 1500VAC

NOTES :

THIS PRODUCT HAS BEEN SUPPLYING TO  
JAPAN CUSTOMERS. PCN PROCESS NEEDS  
TO COMPLY WITH 4M CRITERIA.

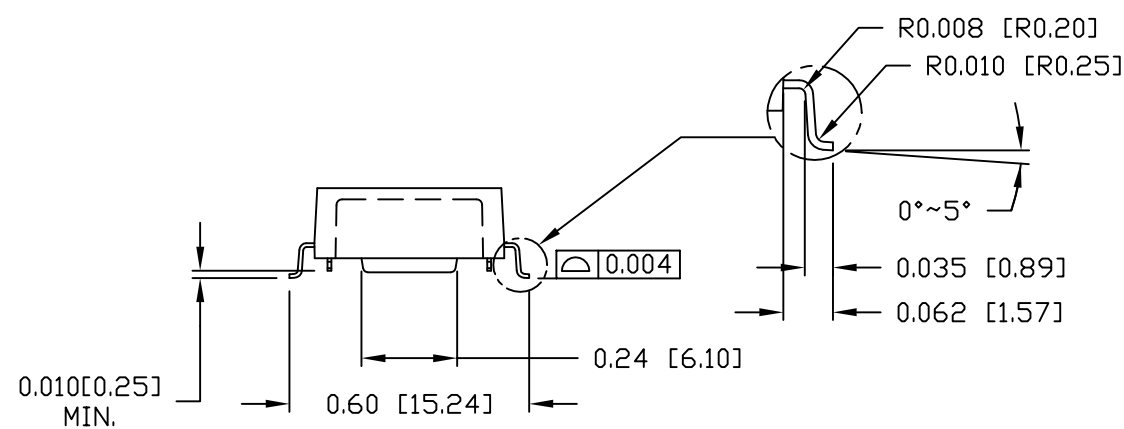
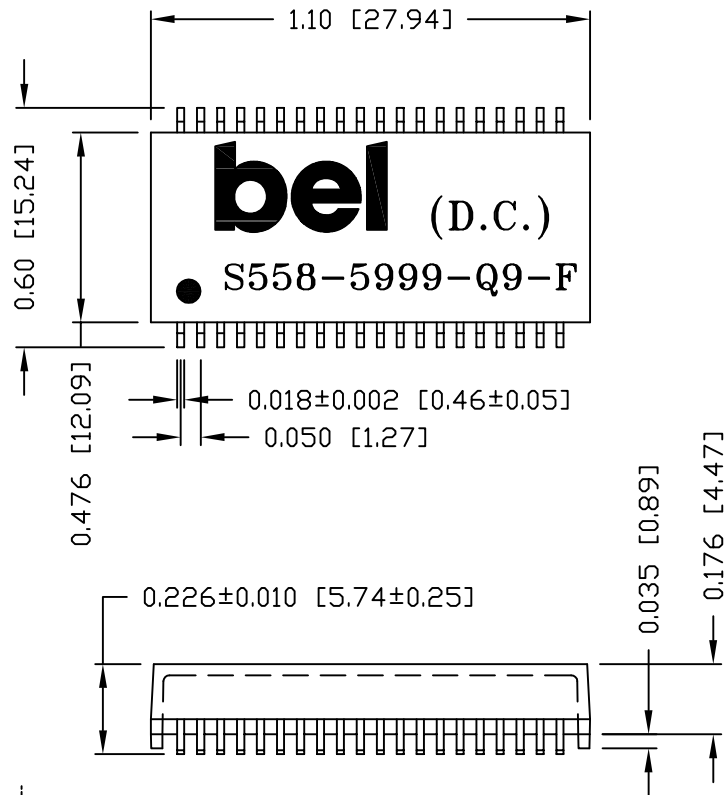
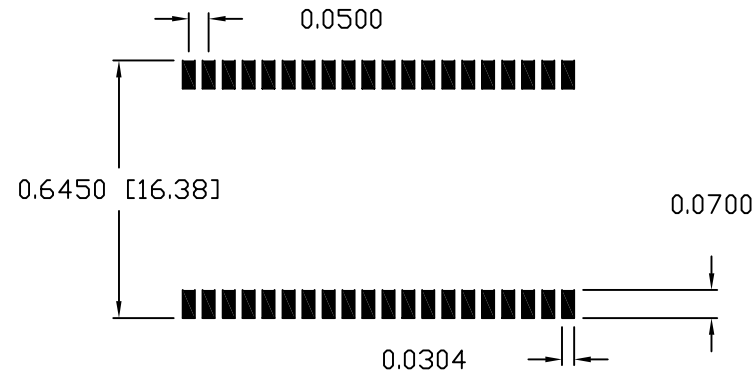
ORIGINATED BY	DATE	TITLE	PART NO. / DRAWING NO.	STANDARD DIM.	[ ] METRIC DIM. AS REF.	REV. : A	PAGE : 2
Alice Pang	2021-01-27	ELECTRICAL SPECIFICATION S558-5999-Q9-F	S558-5999-Q9-F	TOL. IN INCH	UNIT : INCH [mm]		
DRAWN BY	DATE		FILE NAME	.X	SCALE : N/A		
ZC Guo	2021-01-27		S5585999Q9FA.DWG	.XX	SIZE : A4		
				.XXX			

THE INFORMATION CONTAINED HEREIN IS CONSIDERED "PROPRIETARY" TO BEL FUSE INC. AND SHALL NOT BE COPIED, REPRODUCED OR DISCLOSED WITHOUT THE WRITTEN APPROVAL OF BEL FUSE INC.

RoHS



SUGGESTED PCB PAD LAYOUT



NOTES :

1. STANDARD MARKING REFER TO DOC. HAND-WORK-04.
2. PACKAGE CODE: "RRS001".
3. THIS PRODUCT HAS BEEN SUPPLYING TO JAPAN CUSTOMERS. PCN PROCESS NEEDS TO COMPLY WITH 4M CRITERIA.

REV. : A      PAGE : 3

ORIGINATED BY	DATE
Lawrence Tsang	2021-01-27
DRAWN BY	DATE
ZC Guo	2021-01-27

TITLE
MECHANICAL DRAWING
S558-5999-Q9-F

PART NO. / DRAWING NO.
S558-5999-Q9-F
FILE NAME
S5585999Q9FA.DWG

STANDARD DIM.	[ ] METRIC DIM. AS REF.
TOL. IN INCH	UNIT : INCH [mm]
.X	SCALE : N/A
.XX ±0.01	SIZE : A4
.XXX ±0.005	

--	--

