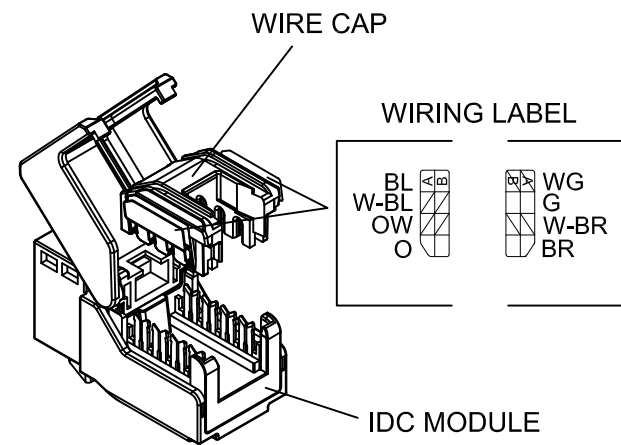
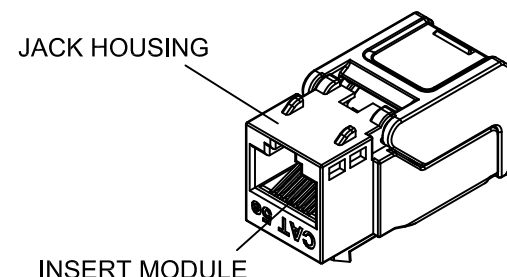


DATE	REV	ECN	APP'D. BY
03/08/18	A0	Released	TM
07/29/22	A1	12027	GL

ISOMETRIC VIEW



BL	WG
W-BL	G
OW	W-BR
O	BR

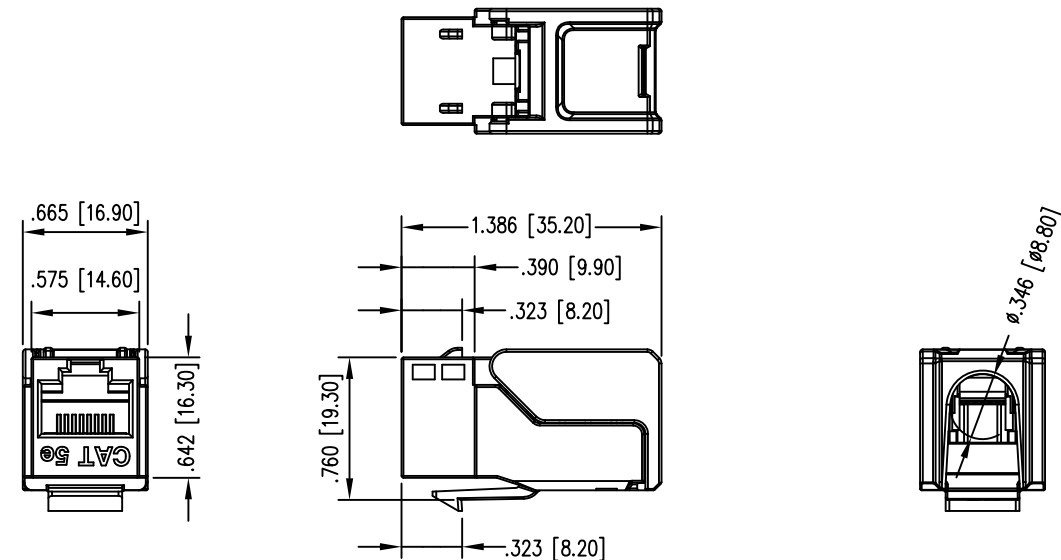
**TRANSMISSION PERFORMANCE**  
 Meet all requirements specified in connecting hardware requirement of:  
 ANSI/TIA-568-C.2, Category 5e

**ELECTRICAL**  
 Electrical Insulation Resistance : 500 MΩ min. @ 100V d.c  
 Dielectric Withstanding Voltage : 1000V d.c. or a.c. Peak Contact to Contact @ 60Hz for 1 minute

**MECHANICAL**  
 Insertion / Extraction Life : 750 Cycles Minimum  
 IDC Wire Gauge : 22 ~ 24 AWG

**PHYSICAL**  
 Housing : High-Impact, Flame-Retardant Plastic, UL 94V-0  
 Spring Wire : Phosphor Bronze Alloy Plated With 50 micro-inch of Gold  
 IDC : Phosphor Bronze Alloy With 100 micro-inch 100% Sn Alloy

ASSEMBLY DIMENSION



COMPONENTS		
ITEM	DISCRIPTION	Q'TY
5	WIRING LABEL	2
4	IDC MODULE	1
3	WIRE CAP	1
2	INSERT MODULE	1
1	JACK HOUSING	1

SS-82000-005
<b>PART NUMBER</b>

THIRD ANGLE PROJECTION	<p>1118 Susquehanna Trail South                  Glen Rock, PA 17327-9199                  (717) 235-7512  <a href="http://www.stewartconnector.com">http://www.stewartconnector.com</a></p>
DO NOT SCALE DRAWING DRAWING IS SUBJECT TO CHANGE WITHOUT NOTICE	
DIMENSIONS: INCHES [METRIC]	TITLE: CAT 5e UNSHEILDED TOOL-LESS KEYSTONE JACK
UNLESS OTHERWISE SPECIFIED TOLERANCES ARE ±.007 [0.2] ANGLES ARE ± 1°	THIS DRAWING AND THE SUBJECT MATTER SHOWN THEREON ARE CONFIDENTIAL AND THE PROPRIETARY PROPERTY OF STEWART CONNECTOR AND SHALL NOT BE REPRODUCED, COPIED, OR USED IN ANY MANNER WITHOUT PRIOR WRITTEN CONSENT OF STEWART CONNECTOR. ONE OR MORE U.S. PATENTS MAY APPLY TO THIS PRODUCT. FOR DETAILS, PLEASE VISIT: <a href="http://BELFUSE.COM/STEWART/STEWART_PATENTS/">HTTP://BELFUSE.COM/STEWART/STEWART_PATENTS/</a>
SHEET NO. 1 OF 1	DRN BY: DG DATE 03/06/18 APPD BY: TM DATE 03/08/18 DWG NO. CT820021 REV. A1

